

# Flush-type socket - SACC-DSIV-FSX-8CON-L180 SCO - 1411820

Please be informed that the data shown in this PDF Document is generated from our Online Catalog. Please find the complete data in the user's documentation. Our General Terms of Use for Downloads are valid (<http://phoenixcontact.com/download>)



Flush-type socket, CAT6<sub>A</sub>, Ethernet, 8-pos., M12 SPEEDCON, rear/screw mounting with M12 fastening thread, with straight solder connection

M12 flush-type socket, front mounting



## Key Commercial Data

Packing unit	20 pc
Minimum order quantity	20 pc
GTIN	
GTIN	4046356956376

## Technical data

### Ambient conditions

Degree of protection	IP67 (When plugged in)
----------------------	------------------------

### General

Rated current at 40°C	0.5 A
Rated voltage	50 V AC
	60 V DC
Rated surge voltage	1.5 kV
Number of positions	8
Insulation resistance	> 100 MΩ
Signal type/category	Ethernet CAT6 <sub>A</sub>
Overvoltage category	III
Degree of pollution	3
Connection method	THR solder connection
Insertion/withdrawal cycles	≥ 100
Transmission characteristics (category)	CAT6 <sub>A</sub>

# Flush-type socket - SACC-DSIV-FSX-8CON-L180 SCO - 1411820

## Technical data

### Material

Flammability rating according to UL 94	V0
Contact material	CuZn
Contact surface material	Ni/Au
Contact carrier material	PPA
Material of grip body	Zinc die-cast, nickel-plated
Material, knurls	Zinc die-cast, nickel-plated
Material	Zinc die-cast (nickel-plated)
Sealing material	EPDM

### Cable

Transmission characteristics (category)	CAT6 <sub>A</sub>
---	-------------------

### Standards and Regulations

Flammability rating according to UL 94	V0
--	----

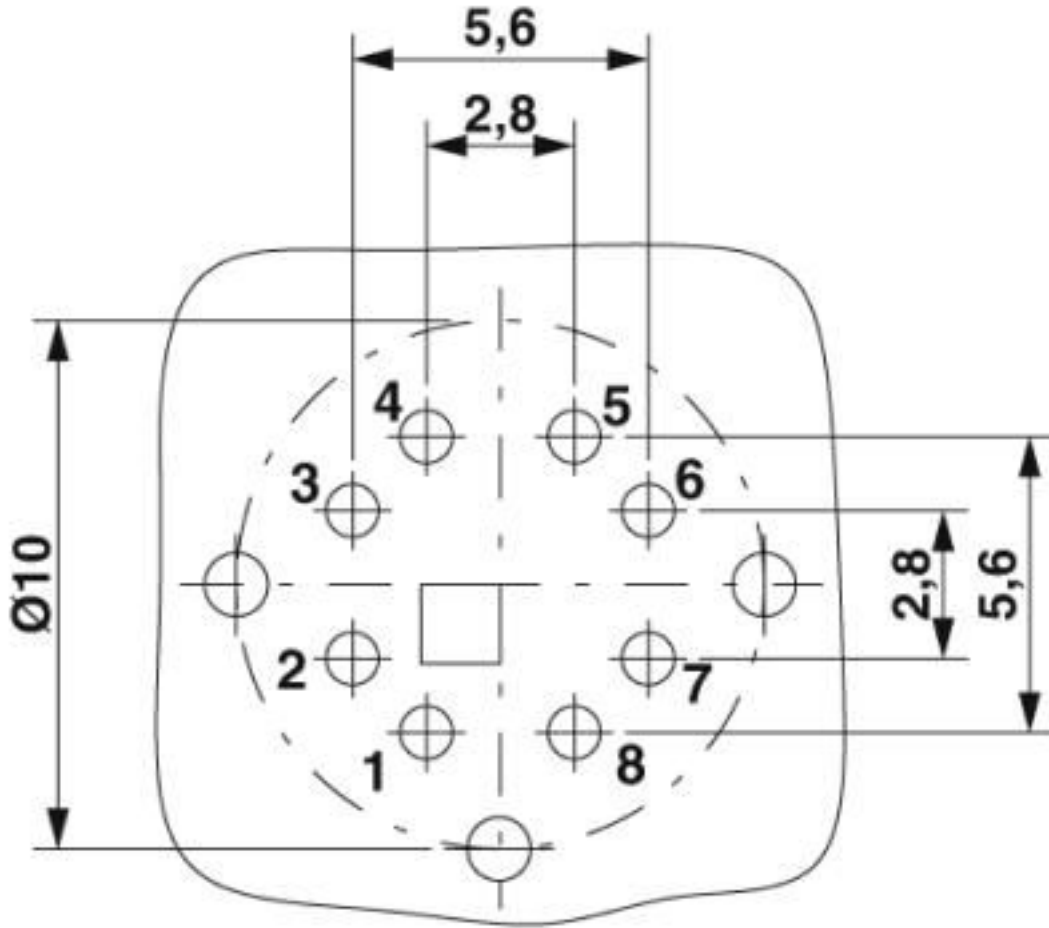
### Environmental Product Compliance

REACH SVHC	Lead 7439-92-1
China RoHS	Environmentally Friendly Use Period = 50 years
	For details about hazardous substances go to tab "Downloads", Category "Manufacturer's declaration"

## Drawings

# Flush-type socket - SACC-DSIV-FSX-8CON-L180 SCO - 1411820

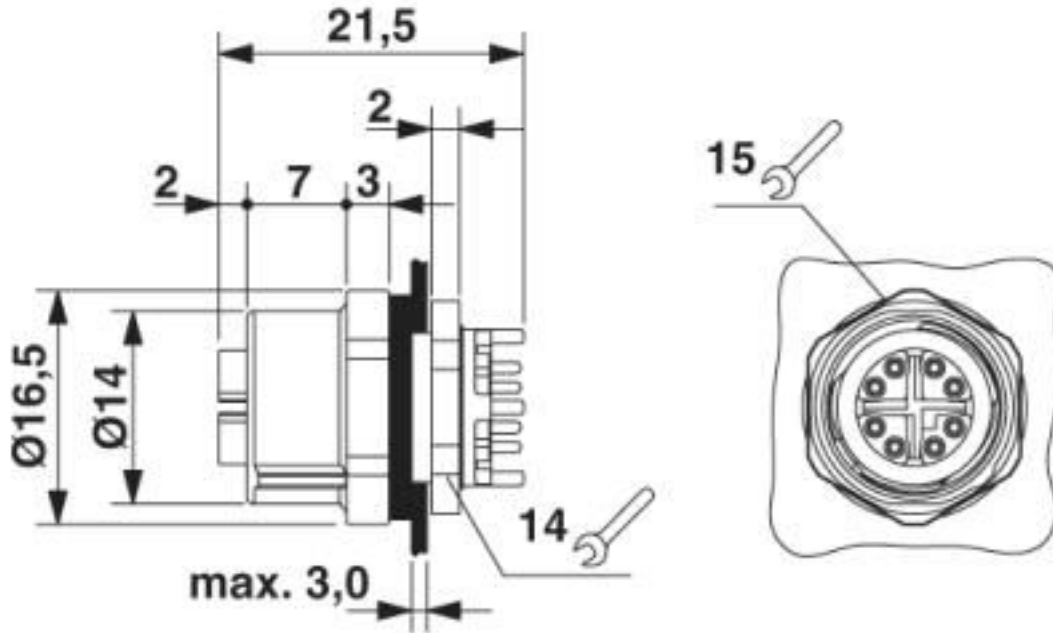
Drilling diagram



Soldering pad geometry

# Flush-type socket - SACC-DSIV-FSX-8CON-L180 SCO - 1411820

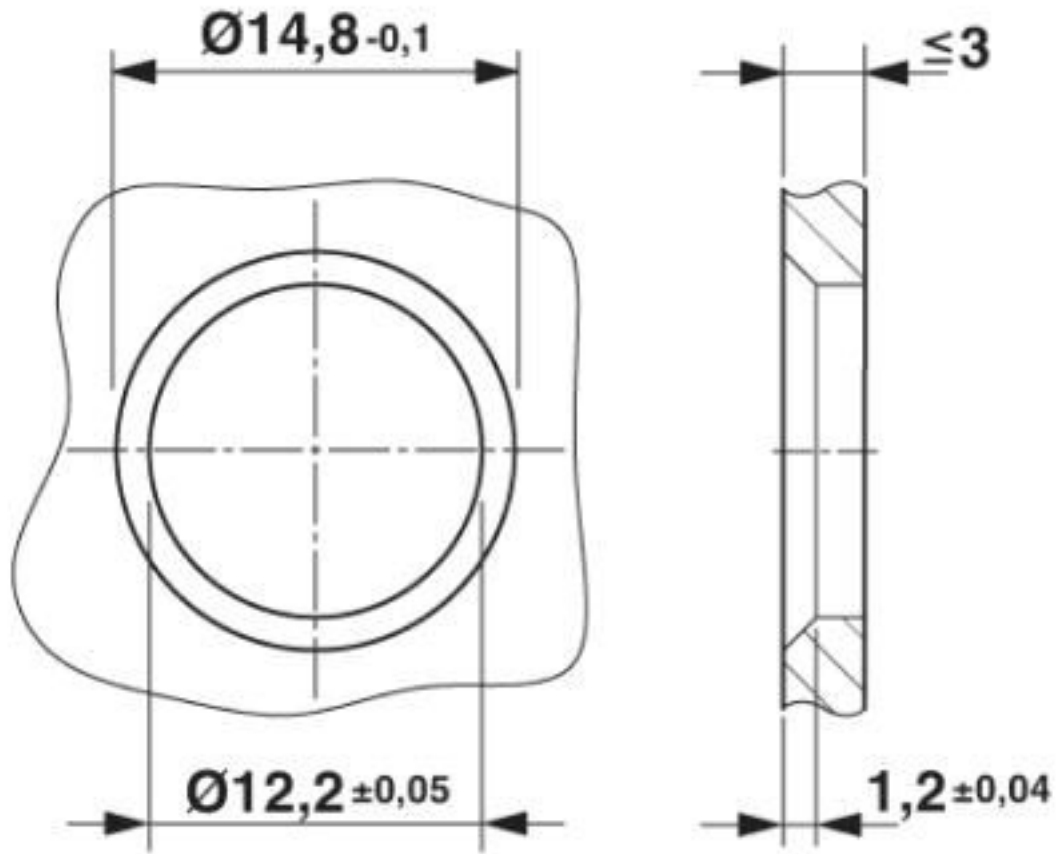
Dimensional drawing



M12 flush-type socket

# Flush-type socket - SACC-DSIV-FSX-8CON-L180 SCO - 1411820

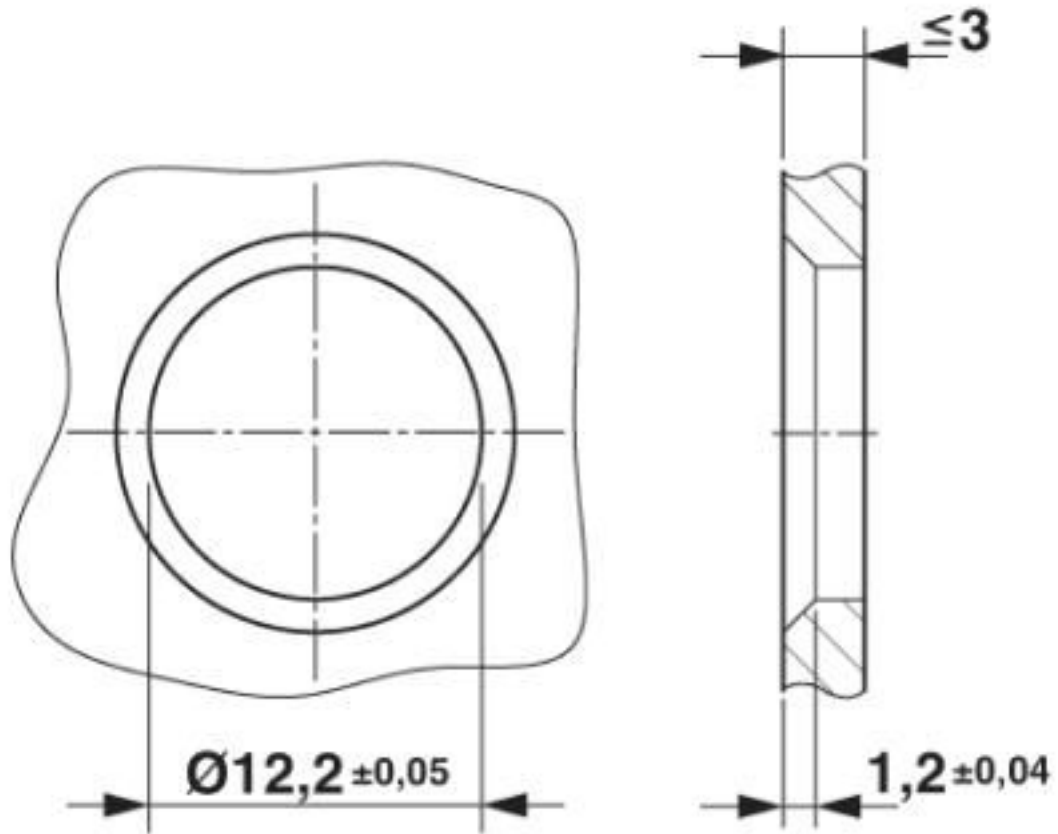
Dimensional drawing



Housing cut-out for two-part M12 flush-type connectors with THR and wave soldering connection, version 1

# Flush-type socket - SACC-DSIV-FSX-8CON-L180 SCO - 1411820

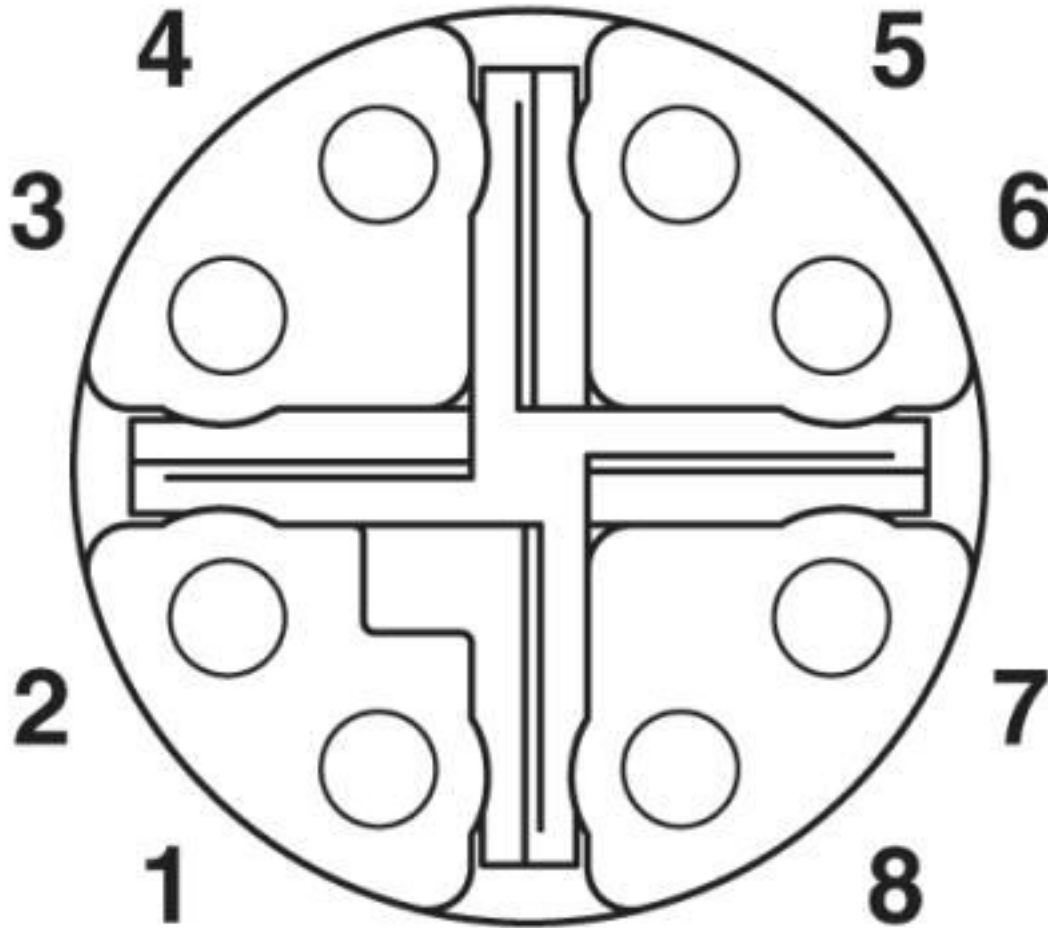
Dimensional drawing



Housing cut-out for two-part M12 flush-type connectors with THR and wave soldering connection, version 2

# Flush-type socket - SACC-DSIV-FSX-8CON-L180 SCO - 1411820

Schematic diagram



M12 socket pin assignment, 8-pos, view of socket side

## Classifications

eCl@ss

eCl@ss 10.0.1	27440102
eCl@ss 4.0	27140800
eCl@ss 4.1	27140800
eCl@ss 5.0	27143400
eCl@ss 5.1	27143400
eCl@ss 6.0	27279200
eCl@ss 7.0	27440103
eCl@ss 8.0	27440103
eCl@ss 9.0	27440102

ETIM

ETIM 4.0	EC002635
----------	----------

# Flush-type socket - SACC-DSIV-FSX-8CON-L180 SCO - 1411820

## Classifications

### ETIM

ETIM 5.0	EC002061
ETIM 6.0	EC002061

### UNSPSC

UNSPSC 13.2	39121413
UNSPSC 18.0	39121413
UNSPSC 19.0	39121413
UNSPSC 20.0	39121413
UNSPSC 21.0	39121413

## Approvals


### Approvals


#### Approvals

UL Recognized / cUL Recognized / EAC / cULus Recognized

#### Ex Approvals

### Approval details

UL Recognized		<a href="http://database.ul.com/cgi-bin/XYV/template/LISEXT/1FRAME/index.htm">http://database.ul.com/cgi-bin/XYV/template/LISEXT/1FRAME/index.htm</a> E335024-20120308
Nominal voltage UN		60 V
Nominal current IN		0.5 A

cUL Recognized		<a href="http://database.ul.com/cgi-bin/XYV/template/LISEXT/1FRAME/index.htm">http://database.ul.com/cgi-bin/XYV/template/LISEXT/1FRAME/index.htm</a> E335024-20120308
Nominal voltage UN		60 V
Nominal current IN		0.5 A

EAC		B.01687
-----	---	---------



## Flush-type socket - SACC-DSIV-FSX-8CON-L180 SCO - 1411820

### Approvals

cULus Recognized



Phoenix Contact 2020 © - all rights reserved  
<http://www.phoenixcontact.com>

PHOENIX CONTACT GmbH & Co. KG  
Flachsmarktstr. 8  
32825 Blomberg  
Germany  
Tel. +49 5235 300  
Fax +49 5235 3 41200  
<http://www.phoenixcontact.com>

## X-ON Electronics

Largest Supplier of Electrical and Electronic Components

*Click to view similar products for [Sensor Cables / Actuator Cables](#) category:*

*Click to view products by [Phoenix Contact](#) manufacturer:*

Other Similar products are found below :

[60963](#) [60964](#) [703000D02F2002](#) [703001D02F0602](#) [703001D02F300](#) [704000D02F120](#) [773032K02F030](#) [802027107404-1](#) [802027213811-1](#)  
[804001A09M150](#) [805001A09M0502](#) [84914-0235](#) [84914-0237](#) [885030A09M020](#) [8R4J30E03C3003](#) [1200651332](#) [1200651713](#) [1200660844](#)  
[1200660845](#) [1200661173](#) [1200680071](#) [1200720053](#) [1200720081](#) [1200720099](#) [1200720217](#) [1200800231](#) [1200860125](#) [1200870123](#)  
[1200980102](#) [1200650267](#) [1200650298](#) [1200660183](#) [1200660782](#) [1200660849](#) [1200661295](#) [1200661297](#) [1200661342](#) [1200661343](#)  
[1200670080](#) [1200670220](#) [1200680331](#) [1200720252](#) [1200730184](#) [1200860344](#) [1200870359](#) [1200870643](#) [1200980008](#) [1200980031](#)  
[1210502211](#) [1210400542](#)