

## Panel mounting frame set - CUC-V06-F1PGY-UBA/UBBB - 1411904

Please be informed that the data shown in this PDF Document is generated from our Online Catalog. Please find the complete data in the user's documentation. Our General Terms of Use for Downloads are valid (<http://phoenixcontact.com/download>)




USB socket insert, 4-pos., USB socket type A to USB socket type B, socket type A to panel mounting frame side, for the Freenet system in the panel mounting frame, IP20 terminal outlet, 19" patch panel, and service interface

### Your advantages

- IP67 protection class
- Easy mounting



### Key Commercial Data

Packing unit	5 pc
Minimum order quantity	5 pc
GTIN	 4 046356 945011
GTIN	4046356945011

### Technical data

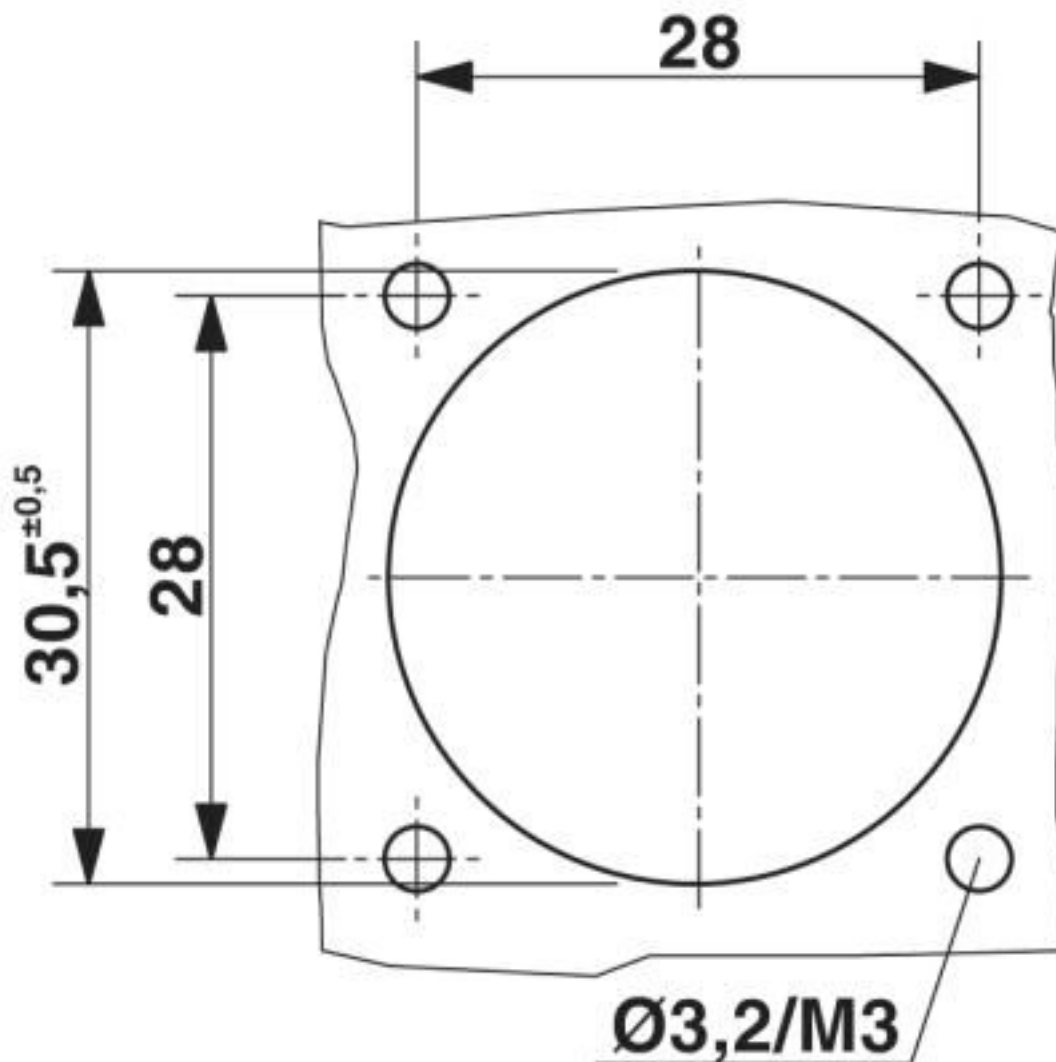
#### Environmental Product Compliance

China RoHS	Environmentally friendly use period: unlimited = EFUP-e
	No hazardous substances above threshold values

### Drawings

# Panel mounting frame set - CUC-V06-F1PGY-UBA/UBBB - 1411904

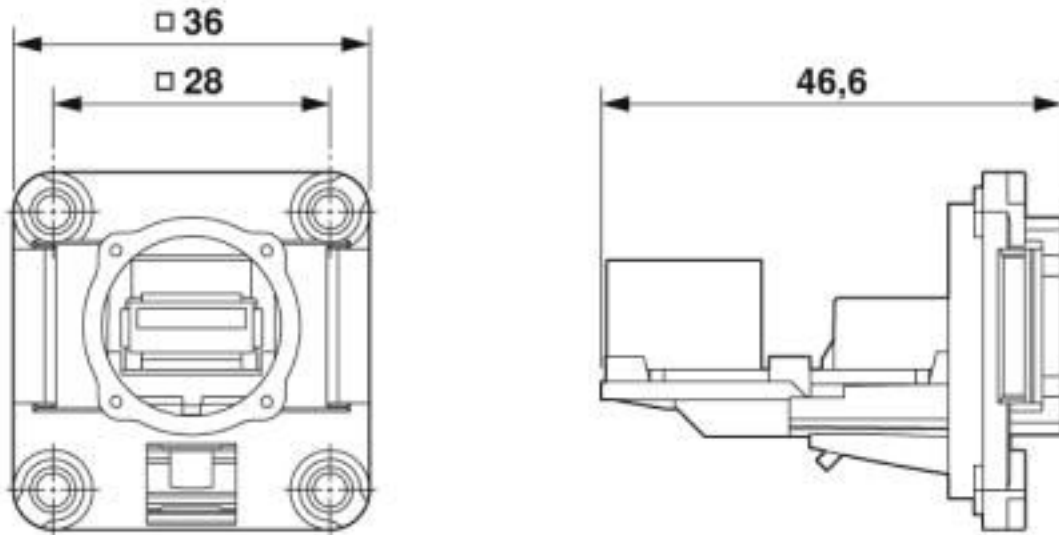
Dimensional drawing



Mounting cutout

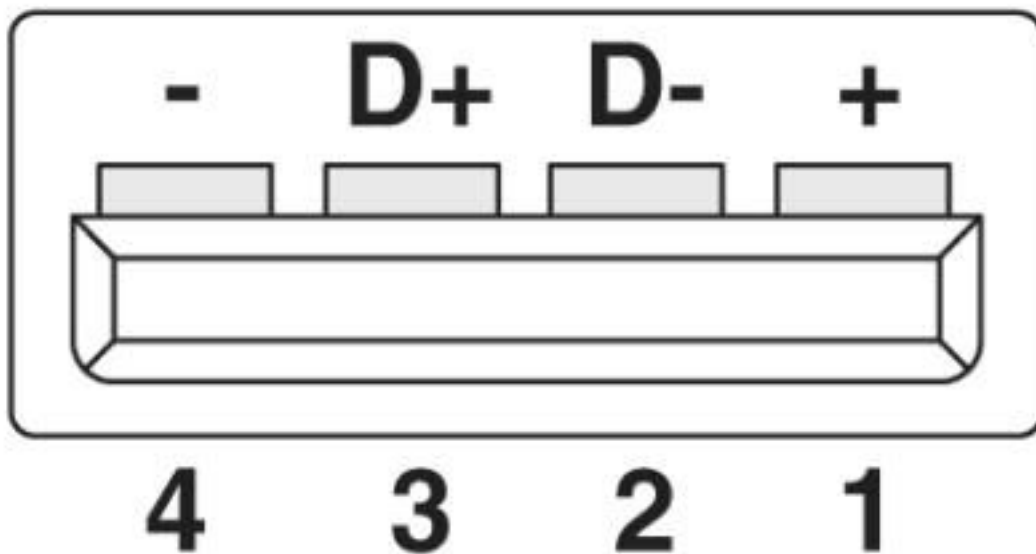
# Panel mounting frame set - CUC-V06-F1PGY-UBA/UBBB - 1411904

Dimensional drawing



Dimensional drawing

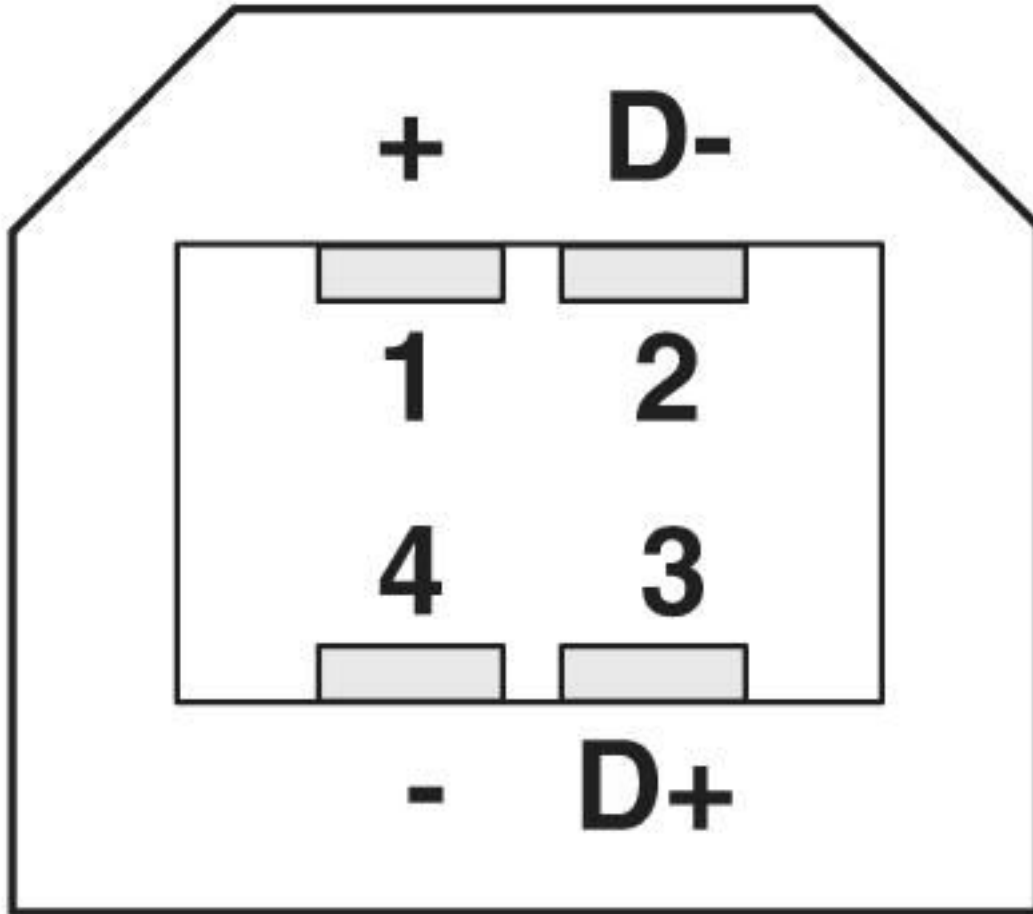
Schematic diagram



Pin assignment socket USB, type A

# Panel mounting frame set - CUC-V06-F1PGY-UBA/UBBB - 1411904

Schematic diagram



Pin assignment socket USB, type B

## Classifications

eCl@ss

eCl@ss 10.0.1	27440390
eCl@ss 5.0	24210100
eCl@ss 5.1	24210100
eCl@ss 6.0	19150700
eCl@ss 7.0	27440390
eCl@ss 8.0	27440390
eCl@ss 9.0	27440390

ETIM

ETIM 4.0	EC001121
ETIM 5.0	EC001121
ETIM 6.0	EC001121

# Panel mounting frame set - CUC-V06-F1PGY-UBA/UBBB - 1411904

## Classifications

### ETIM

ETIM 7.0	EC001121
----------	----------

### UNSPSC

UNSPSC 13.2	39121409
UNSPSC 18.0	39121409
UNSPSC 19.0	39121409
UNSPSC 20.0	39121409
UNSPSC 21.0	39121409

## Approvals

### Approvals

---

#### Approvals

EAC

---

#### Ex Approvals

---

### Approval details

EAC		B.01742
-----	--	---------

## Accessories

### Accessories

#### Data plug

Patch cable - VS-04-2X2X26C7/7-67A/OE/1,0 - 1655742



Assembled USB cable, shielded, color: RAL 5021 (water blue), PUR outer sheath, USB type A/IP67 on open cable end, length: 1 m

## Panel mounting frame set - CUC-V06-F1PGY-UBA/UBBB - 1411904

### Accessories

Patch cable - VS-04-2X2X26C7/7-67A/OE/2,0 - 1655755



Assembled USB cable, shielded, color: RAL 5021 (water blue), PUR outer sheath, USB type A/IP67 on open cable end, length: 2 m

---

Patch cable - VS-04-2X2X26C7/7-67A/OE/5,0 - 1655768



Assembled USB cable, shielded, color: RAL 5021 (water blue), PUR outer sheath, USB type A/IP67 on open cable end, length: 5 m

---

Patch cable - VS-04-2X2X26C7/7-67A/SDB/5,0 - 1653906



Assembled USB cable, shielded, color: RAL 5021 (water blue), PUR outer sheath, USB type A/IP67 on USB type B/standard, length: 5 m

---

Patch cable - VS-04-2X2X26C7/7-67A/67B/2,0 - 1653870



Assembled USB cable, shielded, color: RAL 5021 (water blue), PUR outer sheath, USB type A/IP67 on USB type B/IP67, length: 2 m

---

Patch cable - VS-04-2X2X26C7/7-67A/67B/5,0 - 1653883



Assembled USB cable, shielded, color: RAL 5021 (water blue), PUR outer sheath, USB type A/IP67 on USB type B/IP67, length: 5 m

---

---

Phoenix Contact 2020 © - all rights reserved  
<http://www.phoenixcontact.com>

PHOENIX CONTACT GmbH & Co. KG  
Flachmarktstr. 8  
32825 Blomberg  
Germany  
Tel. +49 5235 300  
Fax +49 5235 3 41200  
<http://www.phoenixcontact.com>

## X-ON Electronics

Largest Supplier of Electrical and Electronic Components

*Click to view similar products for [USB Connectors](#) category:*

*Click to view products by [Phoenix Contact](#) manufacturer:*

Other Similar products are found below :

[65-647-8-BK-BU](#) [950](#) [952](#) [E8144-B01021-L](#) [A-USB A-LP-SMT-C](#) [A-USB B-TOP-C](#) [MUSBA511N5](#) [MUSBD11135](#) [217450-1](#) [CA 6 W LD](#)  
[KMBVX-TH-5S-B30](#) [896-30-004-00-000000](#) [KUSBVX-BS1N-W30](#) [KUSBX-AP-KIT-SCBLK](#) [KUSBX-AS2N-W](#) [KUSBX-SMT2AP1S-W](#)  
[KUSBX-SMT2AP1S-W30](#) [935](#) [957](#) [30-498-6](#) [17-210051](#) [1734082-1](#) [30-1574](#) [30-470](#) [30-489](#) [30-541](#) [30-572-3](#) [MAB 8 SN V](#) [A-USB A-](#)  
[2P-C](#) [MIKROE-1451](#) [USBFTV2PEM2G](#) [USBFTVC6ZN](#) [KUSBX-AS2N-W30](#) [KUSBX-SLAS1N-W](#) [KUSBX-SMT-AS1N-W30](#) [4689-1](#) [1-](#)  
[1734084-2](#) [E8110-001-01](#) [MUSBA81130](#) [33UBARS1-04SW11](#) [33UBAR-04SW11](#) [USBF21ZNSCC](#) [USBBFTV6ZC](#) [MUSBB151341](#)  
[10135326-001LF](#) [M9177/3-1](#) [USB-A-S-F-B-VT](#) [925](#) [4198](#) [690-024-633-031](#)