

Flush-type connector - SACC-CIP-M12MSB-5P SMD SH R32 - 1412013

Please be informed that the data shown in this PDF Document is generated from our Online Catalog. Please find the complete data in the user's documentation. Our General Terms of Use for Downloads are valid (<http://phoenixcontact.com/download>)




Flush-type connector, 5-position, Plug, straight, M12, B-coded, PCB mounting, SMD

Your advantages

- ✓ Reduced mounting costs thanks to two-piece device connector
- ✓ Packaging available for automated pick and place assembly
- ✓ All common pin assignments and codings available
- ✓ Easy device integration thanks to mechanical port screw connections with threaded attachment, press-in contour or direct integration in the front plate
- ✓ Additional gasket for the device when not plugged in

Key Commercial Data

| | |
|------------------------|---------------------------------------------------------------------------------------------------------|
| Packing unit | 100 pc |
| Minimum order quantity | 100 pc |
| GTIN |  4 046356 992862 |
| GTIN | 4046356992862 |

Technical data

Ambient conditions

| | |
|---------------------------------|--------------------------------------------------|
| Ambient temperature (operation) | -40 °C ... 105 °C (Plug / socket) |
| | -55 °C ... 105 °C (without mechanical actuation) |
| Degree of protection | IP67 (correctly plugged in and locked) |

General

| | |
|-----------------------|----------------------------------------------------------------------------------------------------------------------------------------------------------------------------------------------------------------------------------------------------------------------------------------------------------------------------------------------------|
| Note | The electrical and mechanical data specified assume that the connector pair is correctly locked and mounted. If the connector is unlocked and if there is a danger of contamination, the connector must be sealed using a protective cap > IP54. Influences arising from litz wires, cables or PCB assembly must also be taken into consideration. |
| Rated current at 40°C | 4 A |
| Rated voltage | 60 V |

Flush-type connector - SACC-CIP-M12MSB-5P SMD SH R32 - 1412013

Technical data

General

| | |
|-----------------------------|--------------------------------------------|
| Rated surge voltage | 1.5 kV |
| Number of positions | 5 |
| Insulation resistance | ≥ 100 MΩ |
| Coding | B-coded |
| Standards/regulations | M12 connector IEC 61076-2-101 In line with |
| Overvoltage category | III |
| Degree of pollution | 3 |
| Connection method | SMD |
| Insertion/withdrawal cycles | > 100 |
| Mounting type | PCB mounting |
| Type of packaging | Belt |

Material

| | |
|----------------------------------------|------|
| Flammability rating according to UL 94 | V0 |
| Contact material | CuZn |
| Contact surface material | Au |
| Contact carrier material | PA |
| Sealing material | FKM |

Cable

| | |
|--------------------------|--------------------------------------------|
| Standards/specifications | M12 connector IEC 61076-2-101 In line with |
|--------------------------|--------------------------------------------|

Standards and Regulations

| | |
|----------------------------------------|--------------------------------------------|
| Standards/specifications | M12 connector IEC 61076-2-101 In line with |
| Flammability rating according to UL 94 | V0 |

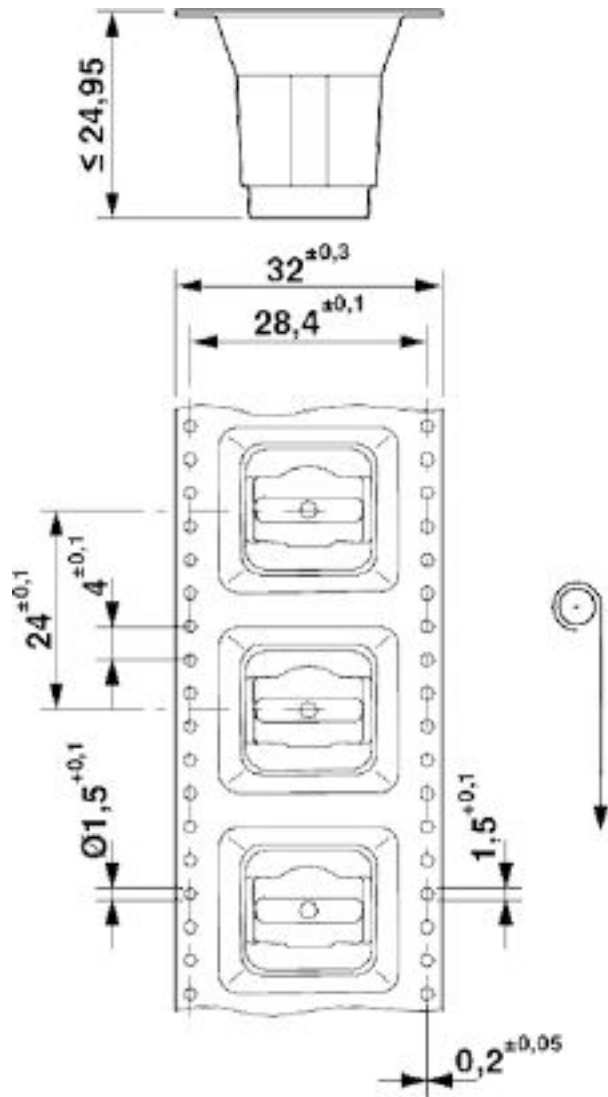
Environmental Product Compliance

| | |
|------------|-----------------------------------------------------------------------------------------------------|
| REACH SVHC | Lead 7439-92-1 |
| China RoHS | Environmentally Friendly Use Period = 50 years |
| | For details about hazardous substances go to tab "Downloads", Category "Manufacturer's declaration" |

Drawings

Flush-type connector - SACC-CIP-M12MSB-5P SMD SH R32 - 1412013

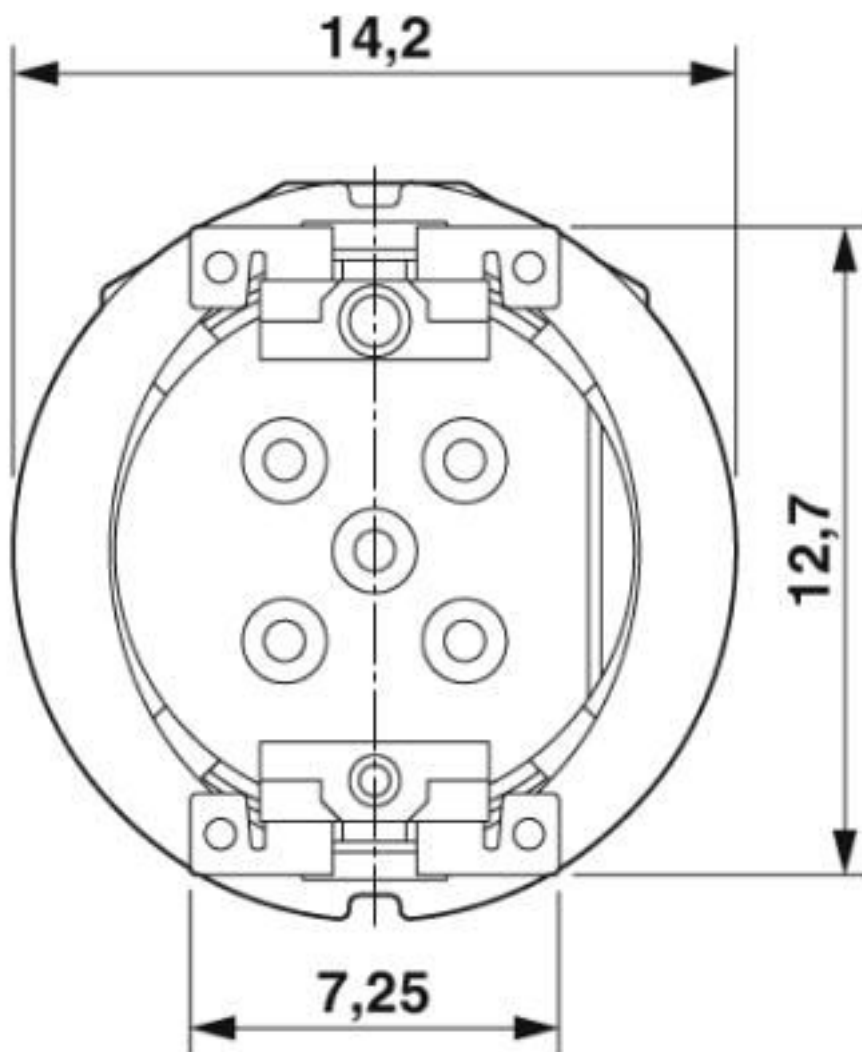
Dimensional drawing



SMD tape-on-reel packing

Flush-type connector - SACC-CIP-M12MSB-5P SMD SH R32 - 1412013

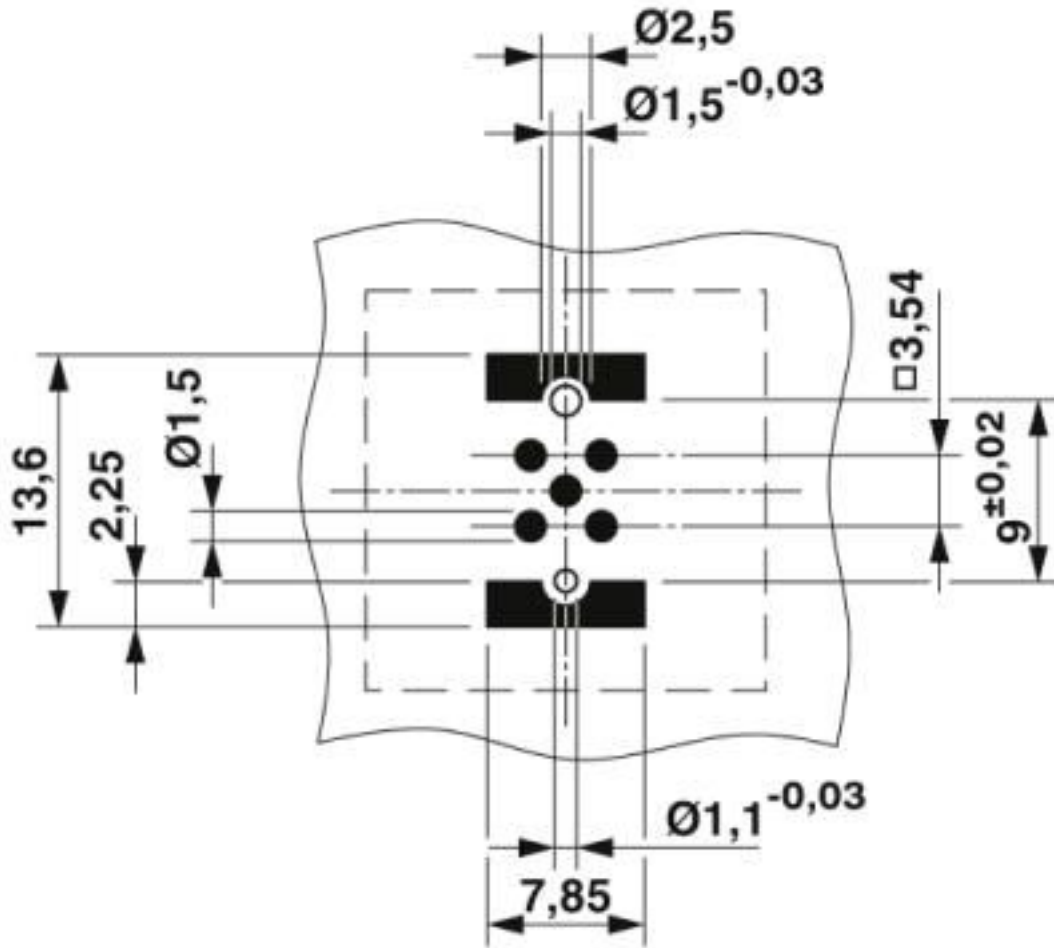
Dimensional drawing



View of solder side

Flush-type connector - SACC-CIP-M12MSB-5P SMD SH R32 - 1412013

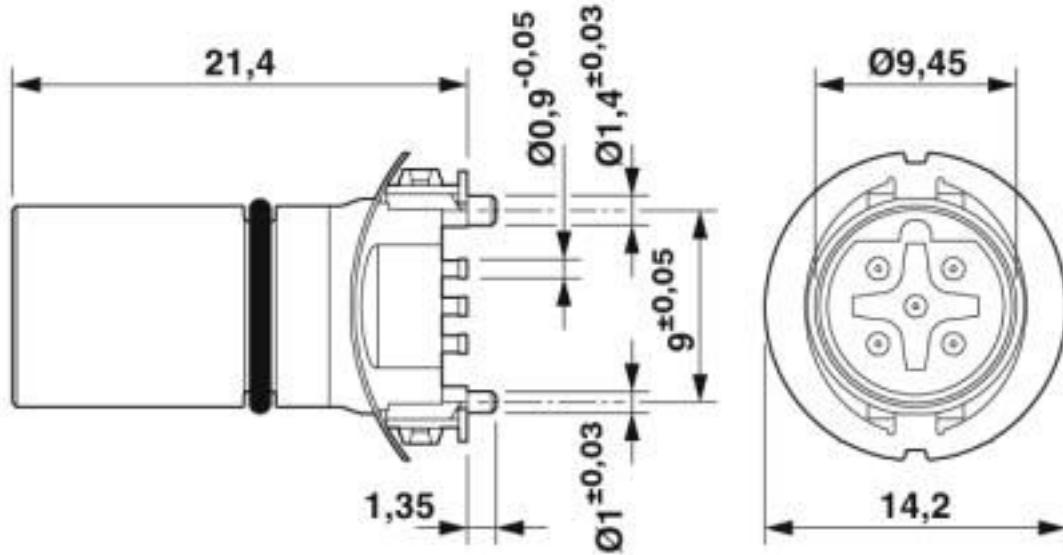
Drilling diagram



Soldering pad geometry

Flush-type connector - SACC-CIP-M12MSB-5P SMD SH R32 - 1412013

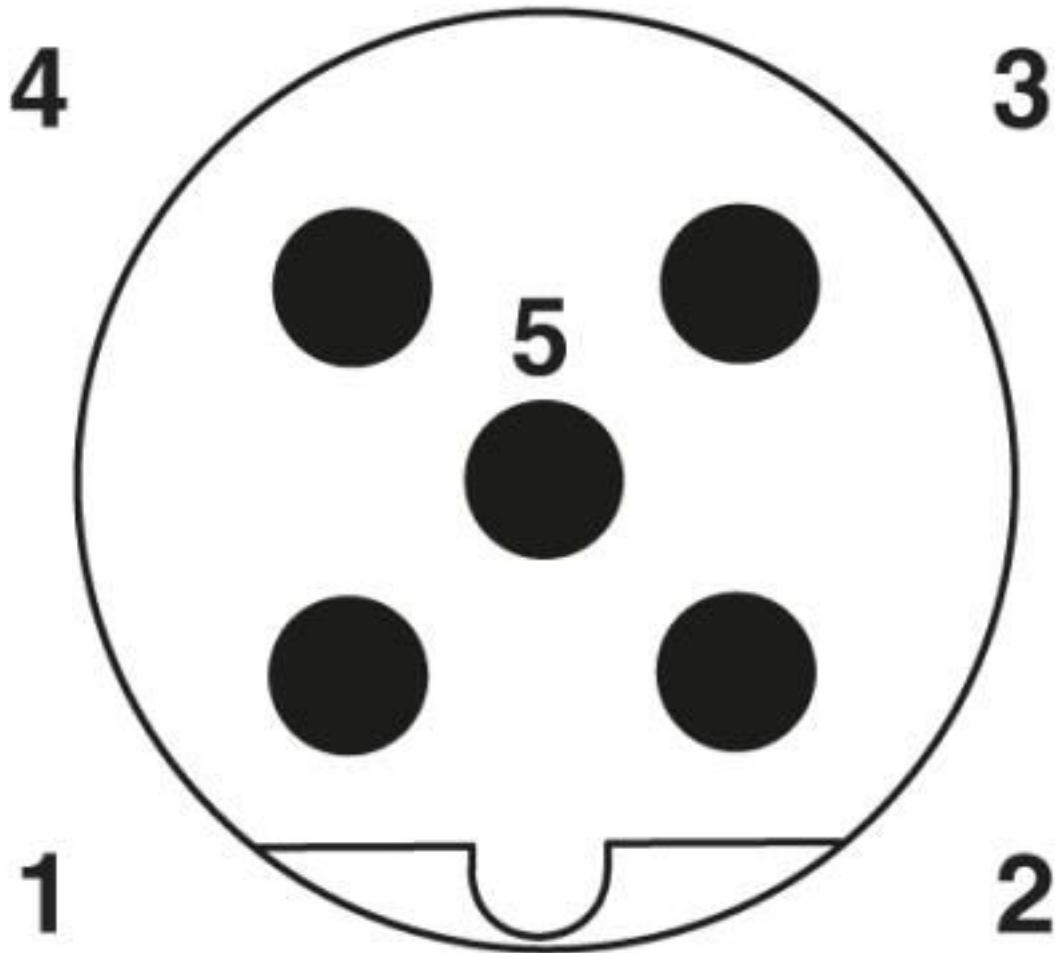
Dimensional drawing



M12 male connector contact carrier

Flush-type connector - SACC-CIP-M12MSB-5P SMD SH R32 - 1412013

Schematic diagram



Pin assignment M12 male connector, 5-pos., B-coded, male side

Classifications

eCl@ss

| | |
|---------------|----------|
| eCl@ss 10.0.1 | 27440102 |
| eCl@ss 4.0 | 27140800 |
| eCl@ss 4.1 | 27140800 |
| eCl@ss 5.0 | 27143400 |
| eCl@ss 5.1 | 27143400 |
| eCl@ss 6.0 | 27279200 |
| eCl@ss 7.0 | 27440103 |
| eCl@ss 8.0 | 27440103 |
| eCl@ss 9.0 | 27440102 |

Flush-type connector - SACC-CIP-M12MSB-5P SMD SH R32 - 1412013

Classifications

ETIM

| | |
|----------|----------|
| ETIM 5.0 | EC002061 |
| ETIM 6.0 | EC002061 |

UNSPSC

| | |
|-------------|----------|
| UNSPSC 13.2 | 39121413 |
| UNSPSC 18.0 | 39121413 |
| UNSPSC 19.0 | 39121413 |
| UNSPSC 20.0 | 39121413 |
| UNSPSC 21.0 | 39121413 |

Approvals


Approvals

Approvals

EAC / cULus Recognized

Ex Approvals

Approval details

| | | |
|-----|-------------------------------------------------------------------------------------|---------|
| EAC |  | B.01687 |
|-----|-------------------------------------------------------------------------------------|---------|

| | | |
|------------------|-------------------------------------------------------------------------------------|------------------------------------------------------------------------------------------------------------------------------------------------------------------------|
| cULus Recognized |  | http://database.ul.com/cgi-bin/XYV/template/LISEXT/1FRAME/index.htm E221474-20160506 |
|------------------|-------------------------------------------------------------------------------------|------------------------------------------------------------------------------------------------------------------------------------------------------------------------|

| | |
|--------------------|------|
| Nominal voltage UN | 60 V |
| Nominal current IN | 4 A |

Accessories

Accessories

Contact insert

Flush-type connector - SACC-CIP-M12MSB-5P SMD SH R32 - 1412013

Accessories

Sample set - SACC-CIP-M12MSB-5P SMD SH-SP - 1418648



Sample set, 5-position, Plug, straight, M12, B - inverse, PCB mounting, SMD

Panel mounting base

Housing screw connection - SACC-BP-M-M12/M15-6-SMD - 1414000



Housing screw connection, Plug, M12, Rear mounting, M15 x 1

Housing screw connection - SACC-BP-M-M12/M15-6-SMD SCO - 1414002



Housing screw connection, Plug, M12-SPEEDCON, Rear mounting, M15 x 1

Housing screw connection - SACC-FP-M-M12/M14 SMD - 1412078



M12 pin, front mounting SMD with M14 screw fastening

Housing screw connection - SACC-FP-M-M12/PRESS SMD - 1412080



Housing screw connection, pin, for the two-part M12 SMD connector, for press-in mounting.

Flush-type connector - SACC-CIP-M12MSB-5P SMD SH R32 - 1412013

Accessories

Housing screw connection - SACC-BP-M-M12-SMD PP - 1107993



Housing screw connection, Plug, M12-Push-Pull, Rear mounting, M15 x 1, THR- und Wellenlötkontakte

Housing screw connection - SACC-FP-M-M12-SMD PP - 1107999



Housing screw connection, Plug, M12-Push-Pull, Front mounting, M14 x 1, THR- und Wellenlötkontakte

Phoenix Contact 2020 © - all rights reserved
<http://www.phoenixcontact.com>

PHOENIX CONTACT GmbH & Co. KG
Flachsmarktstr. 8
32825 Blomberg
Germany
Tel. +49 5235 300
Fax +49 5235 3 41200
<http://www.phoenixcontact.com>

X-ON Electronics

Largest Supplier of Electrical and Electronic Components

Click to view similar products for [Circular Metric Connectors](#) category:

Click to view products by [Phoenix Contact](#) manufacturer:

Other Similar products are found below :

[600X518037X](#) [6STD15PCR99B70A](#) [8R4000A16M020](#) [8R5000A16M005](#) [1200910002](#) [1203580030](#) [1200910008](#) [1200910011](#) [1300140094](#)
[130203-0054](#) [1300140026](#) [1300150099](#) [RF-12S1N8A90DU](#) [1-3637-600-5205](#) [1612618](#) [21036836414](#) [8R4006A16M010](#) [1604232](#)
[1R3006A20M005](#) [RF-12P1N8A90DU](#) [41-40011](#) [42-00006](#) [42-01015](#) [4-22279-4](#) [4-22281-1](#) [4-22284-9](#) [43-00113](#) [43-01088](#) [43-01203](#) [41-](#)
[40013](#) [42-00008](#) [43-00343](#) [43-01026](#) [43-01162](#) [43-01173](#) [43-10000](#) [XS3P-M421-2](#) [600X518050X](#) [SACC-DSI-FS-5P-PG9-L180 SC](#)
[8R5006A16M020](#) [8R5006A16M005](#) [8R4000A16M010](#) [6-22279-3](#) [1605332](#) [N03FA03144](#) [1300140077](#) [43-16213](#) [43-01338](#) [XS2RD4265](#)
[XS2R-D426-1](#)