

# Flush-type connector - SACC-CIP-M12MST-4P SMD SH R32 - 1412017

Please be informed that the data shown in this PDF Document is generated from our Online Catalog. Please find the complete data in the user's documentation. Our General Terms of Use for Downloads are valid (<http://phoenixcontact.com/download>)




Flush-type connector, Power, 4-position, Plug, straight, M12, T power, PCB mounting, SMD

## Your advantages

- ✓ For compact devices: transmit high power in a confined space
- ✓ Reduced mounting costs thanks to two-piece device connector
- ✓ Packaging available for automated pick and place assembly
- ✓ All common pin assignments and codings available
- ✓ Easy device integration thanks to mechanical port screw connections with threaded attachment, press-in contour or direct integration in the front plate
- ✓ Additional gasket for the device when not plugged in



## Key Commercial Data

|                        |   |
|------------------------|---|
| Packing unit           | 100 pc  |
| Minimum order quantity | 100 pc  |
| GTIN                   | <br>4 046356 992909 |
| GTIN                   | 4046356992909   |

## Technical data

### Ambient conditions

|                                 |  |
|---------------------------------|--|
| Ambient temperature (operation) | -25 °C ... 105 °C (Plug / socket)                |
|                                 | -40 °C ... 105 °C (without mechanical actuation) |
| Degree of protection            | IP67 (correctly plugged in and locked)           |

### General

|                       |  |
|-----------------------|--|
| Note                  | The electrical and mechanical data specified assume that the connector pair is correctly locked and mounted. If the connector is unlocked and if there is a danger of contamination, the connector must be sealed using a protective cap > IP54. Influences arising from litz wires, cables or PCB assembly must also be taken into consideration. |
| Rated current at 40°C | 12 A   |

# Flush-type connector - SACC-CIP-M12MST-4P SMD SH R32 - 1412017

## Technical data

### General

|                             |  |
|-----------------------------|--|
| Rated voltage               | 63 V                                       |
| Rated surge voltage         | 1.5 kV                                     |
| Number of positions         | 4  |
| Insulation resistance       | ≥ 100 MΩ                                   |
| Coding                      | T power                                    |
| Standards/regulations       | M12 connector IEC 61076-2-111 In line with |
| Signal type/category        | Power                                      |
| Overvoltage category        | III  |
| Degree of pollution         | 3  |
| Connection method           | SMD  |
| Insertion/withdrawal cycles | > 100                                      |
| Mounting type               | PCB mounting                               |
| Type of packaging           | Belt                                       |
| Delivery state              | with assembly pad                          |

### Material

|  |      |
|--|------|
| Flammability rating according to UL 94 | V0   |
| Contact material                       | CuZn |
| Contact surface material               | Au   |
| Contact carrier material               | PA   |
| Sealing material                       | FKM  |

### Cable

|                          |  |
|--------------------------|--|
| Standards/specifications | M12 connector IEC 61076-2-111 In line with |
|--------------------------|--|

### Standards and Regulations

|  |  |
|--|--|
| Standards/specifications               | M12 connector IEC 61076-2-111 In line with |
| Flammability rating according to UL 94 | V0   |

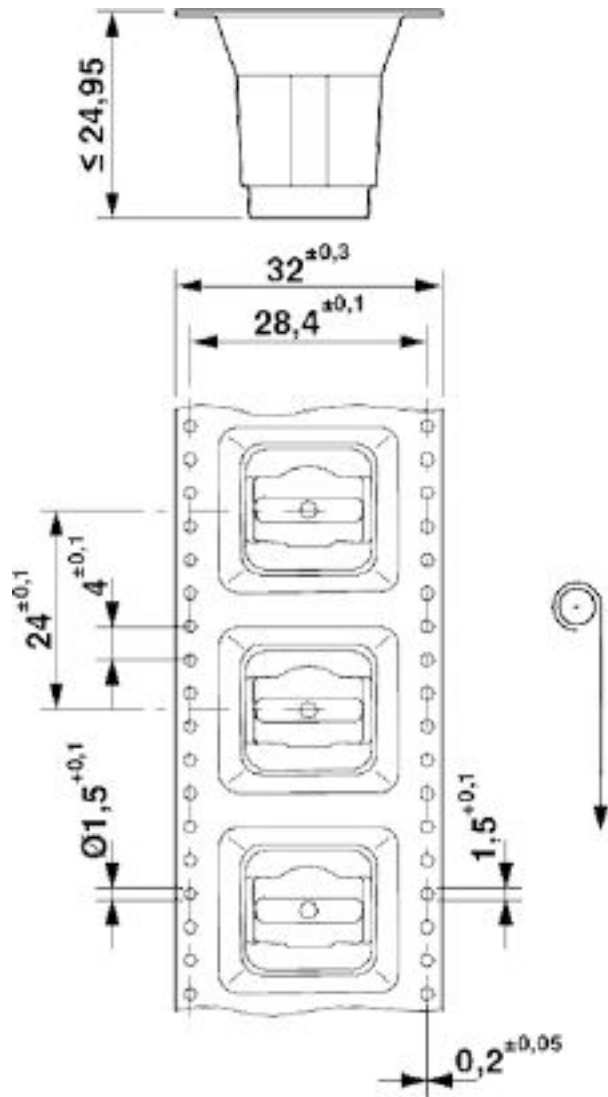
### Environmental Product Compliance

|            |   |
|------------|---|
| REACH SVHC | Lead 7439-92-1  |
| China RoHS | Environmentally Friendly Use Period = 50 years  |
|            | For details about hazardous substances go to tab "Downloads", Category "Manufacturer's declaration" |

## Drawings

# Flush-type connector - SACC-CIP-M12MST-4P SMD SH R32 - 1412017

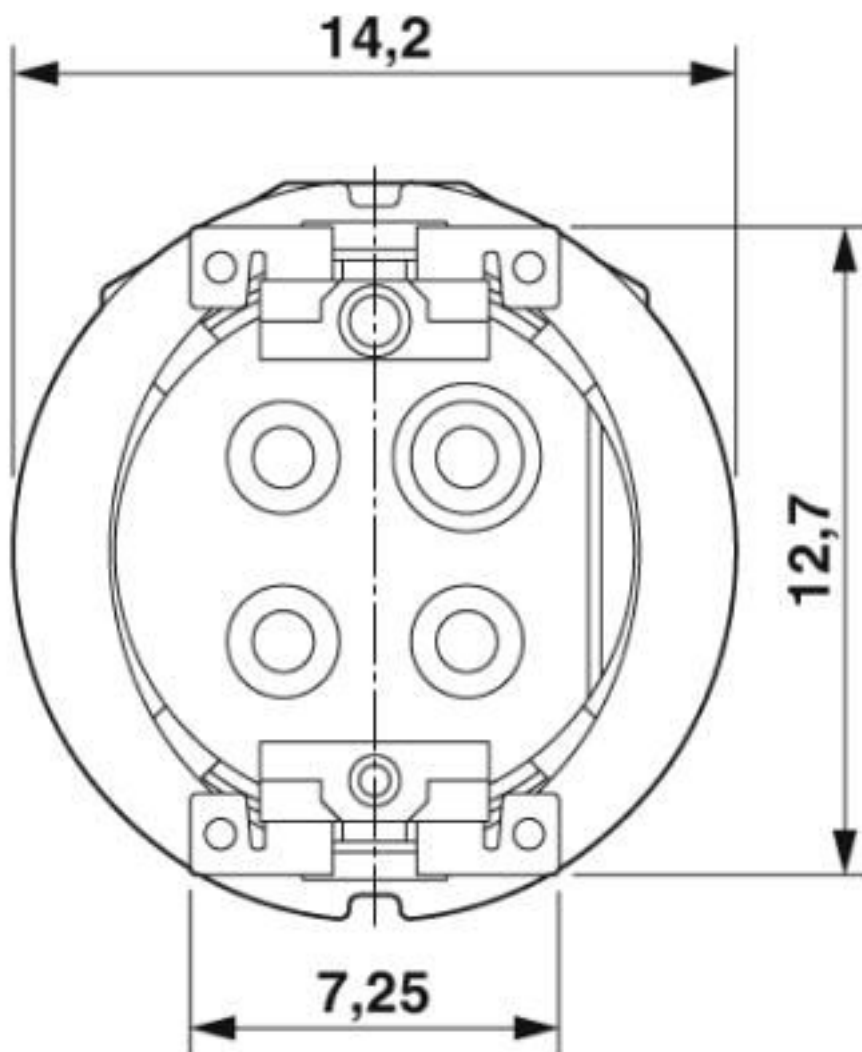
Dimensional drawing



SMD tape-on-reel packing

# Flush-type connector - SACC-CIP-M12MST-4P SMD SH R32 - 1412017

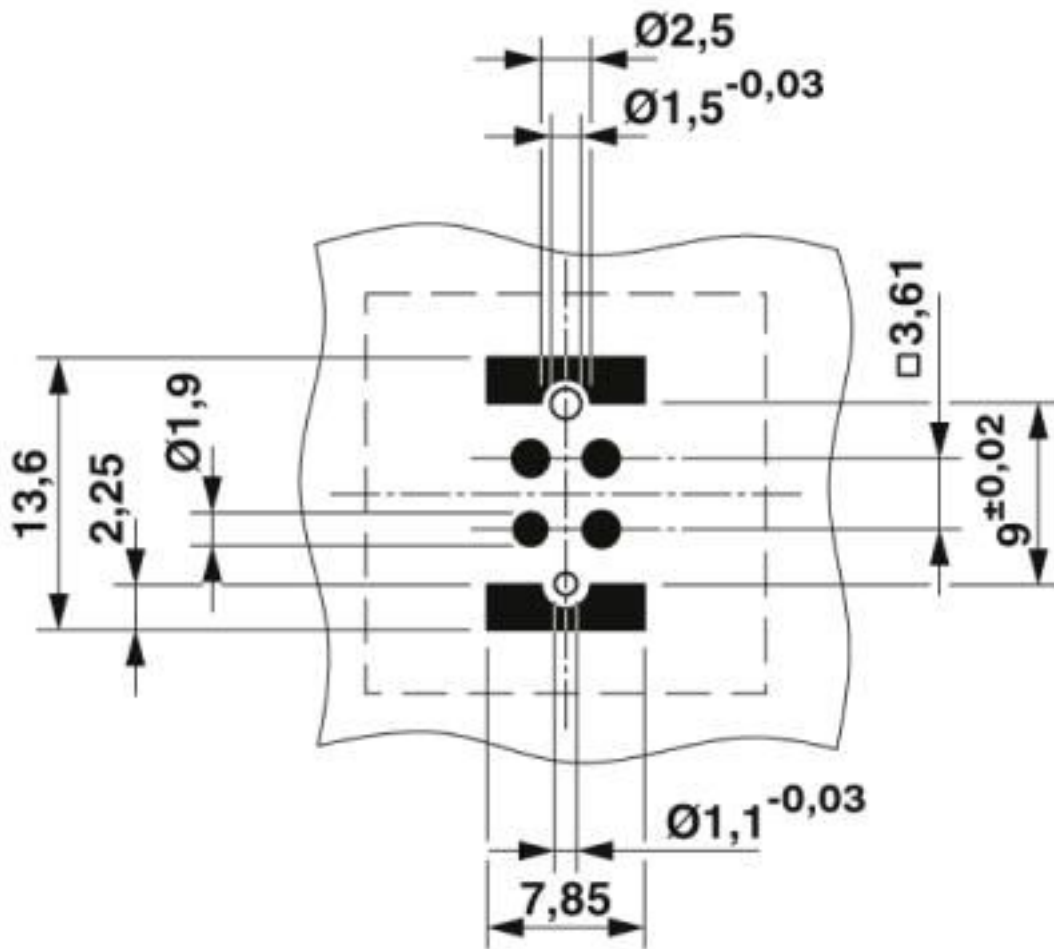
Dimensional drawing



View of solder side

# Flush-type connector - SACC-CIP-M12MST-4P SMD SH R32 - 1412017

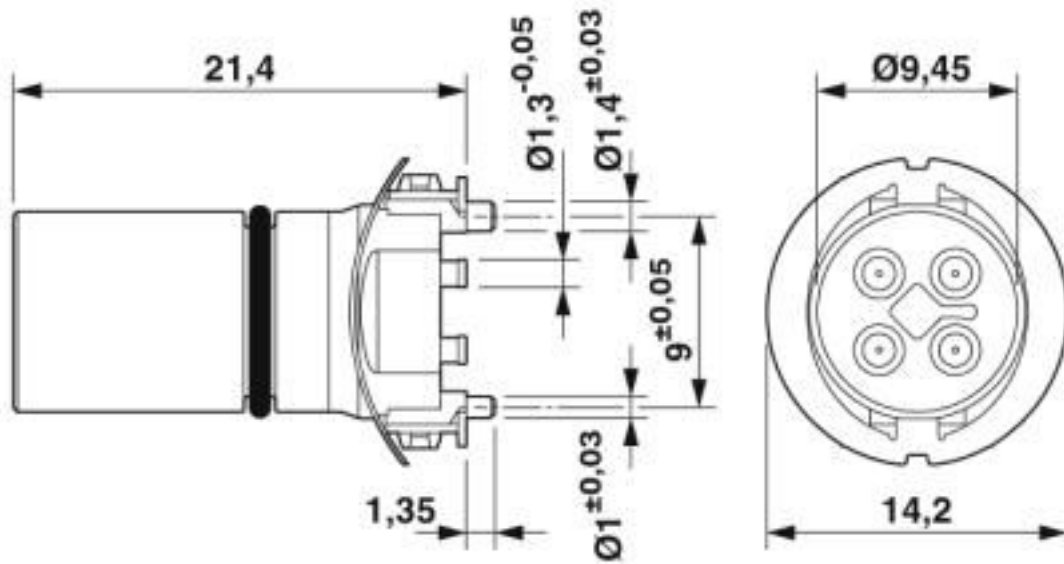
Drilling diagram



Soldering pad geometry

# Flush-type connector - SACC-CIP-M12MST-4P SMD SH R32 - 1412017

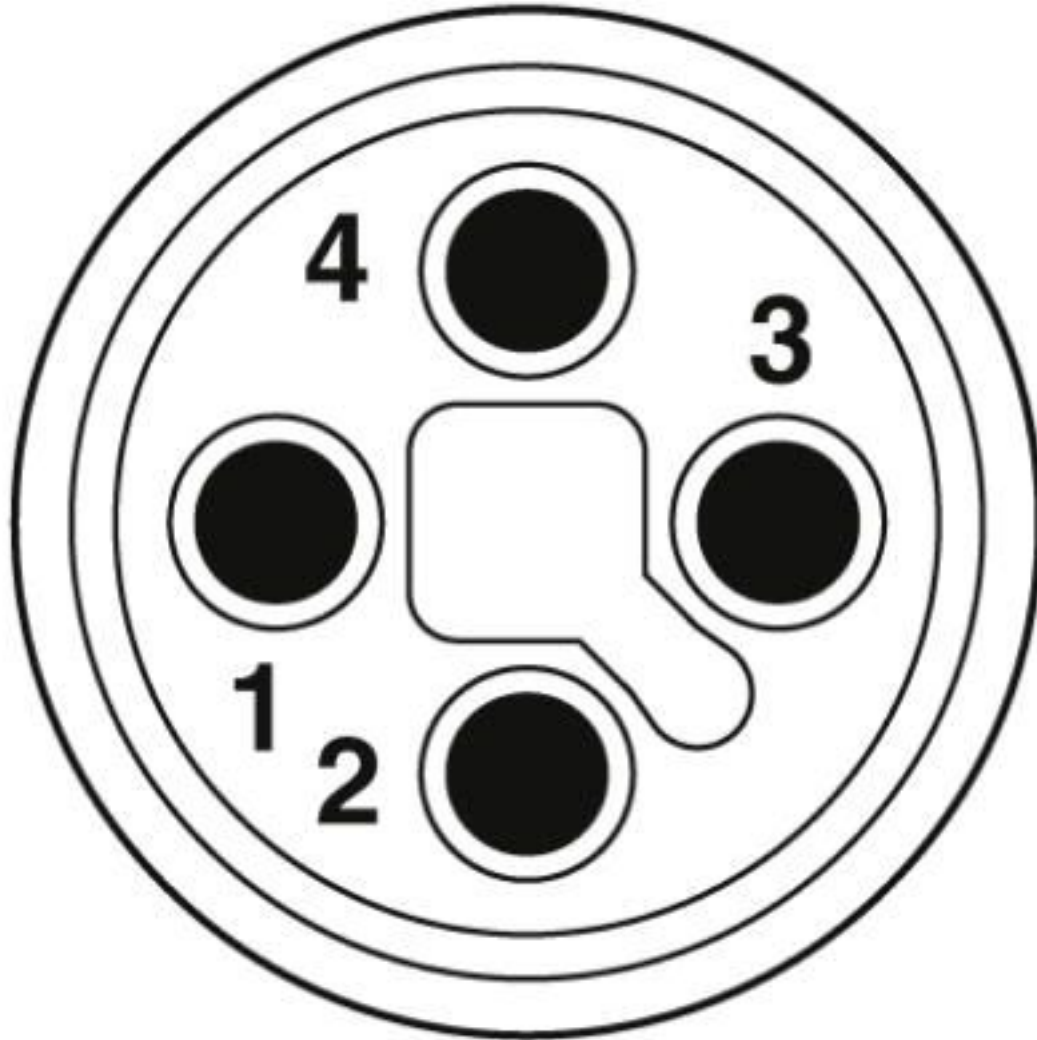
Dimensional drawing



M12 male connector contact carrier

# Flush-type connector - SACC-CIP-M12MST-4P SMD SH R32 - 1412017

Schematic diagram



Connector pin assignment of M12 plug, 4-pos., T-coded, view of pin side

## Classifications

eCl@ss

|               |          |
|---------------|----------|
| eCl@ss 10.0.1 | 27440102 |
| eCl@ss 4.0    | 27140800 |
| eCl@ss 4.1    | 27140800 |
| eCl@ss 5.0    | 27143400 |
| eCl@ss 5.1    | 27143400 |
| eCl@ss 6.0    | 27279200 |
| eCl@ss 7.0    | 27440103 |
| eCl@ss 8.0    | 27440103 |

# Flush-type connector - SACC-CIP-M12MST-4P SMD SH R32 - 1412017

## Classifications

### eCl@ss

|            |          |
|------------|----------|
| eCl@ss 9.0 | 27440102 |
|------------|----------|

### ETIM

|          |          |
|----------|----------|
| ETIM 5.0 | EC002061 |
| ETIM 6.0 | EC002061 |

### UNSPSC

|             |          |
|-------------|----------|
| UNSPSC 13.2 | 39121413 |
| UNSPSC 18.0 | 39121413 |
| UNSPSC 19.0 | 39121413 |
| UNSPSC 20.0 | 39121413 |
| UNSPSC 21.0 | 39121413 |

## Approvals

### Approvals

#### Approvals

EAC / cULus Recognized

#### Ex Approvals

### Approval details

|     |  |         |
|-----|--|---------|
| EAC |  | B.01687 |
|-----|--|---------|

|                  |  |
|------------------|--|
| cULus Recognized |  |
|------------------|--|

## Accessories

### Accessories

Contact insert



## Flush-type connector - SACC-CIP-M12MST-4P SMD SH R32 - 1412017

### Accessories

Sample set - SACC-CIP-M12MST-4P SMD SH-SP - 1418644



Sample set, 4-position, Plug, straight, M12, T power, PCB mounting

---

### Panel mounting base

Housing screw connection - SACC-BP-M-M12/M15-6-SMD - 1414000



Housing screw connection, Plug, M12, Rear mounting, M15 x 1

---

Housing screw connection - SACC-BP-M-M12/M15-6-SMD SCO - 1414002



Housing screw connection, Plug, M12-SPEEDCON, Rear mounting, M15 x 1

---

Housing screw connection - SACC-FP-M-M12/M14 SMD - 1412078



M12 pin, front mounting SMD with M14 screw fastening

---

Housing screw connection - SACC-FP-M-M12/PRESS SMD - 1412080



Housing screw connection, pin, for the two-part M12 SMD connector, for press-in mounting.

---

## Flush-type connector - SACC-CIP-M12MST-4P SMD SH R32 - 1412017

### Accessories

Housing screw connection - SACC-BP-M-M12-SMD PP - 1107993



Housing screw connection, Plug, M12-Push-Pull, Rear mounting, M15 x 1, THR- und Wellenlötkontakte

---

Housing screw connection - SACC-FP-M-M12-SMD PP - 1107999



Housing screw connection, Plug, M12-Push-Pull, Front mounting, M14 x 1, THR- und Wellenlötkontakte

---

---

Phoenix Contact 2020 © - all rights reserved  
<http://www.phoenixcontact.com>

PHOENIX CONTACT GmbH & Co. KG  
Flachsmarktstr. 8  
32825 Blomberg  
Germany  
Tel. +49 5235 300  
Fax +49 5235 3 41200  
<http://www.phoenixcontact.com>

## X-ON Electronics

Largest Supplier of Electrical and Electronic Components

*Click to view similar products for [Circular Metric Connectors](#) category:*

*Click to view products by [Phoenix Contact](#) manufacturer:*

Other Similar products are found below :

[600X518037X](#) [MA1EAF1200](#) [6STD15PCR99B70A](#) [8R4000A16M020](#) [8R4A00A18M020](#) [8R5000A16M005](#) [1200910008](#) [1200910011](#)  
[1300140094](#) [130203-0054](#) [1300150099](#) [RF-12S1N8A90DU](#) [1-3637-600-5205](#) [1612618](#) [8R4006A16M010](#) [8R5006A18A120](#) [1604232](#)  
[1R3006A20M005](#) [RF-12P1N8A80DU](#) [RF-12P1N8A90DU](#) [41-01016](#) [41-40011](#) [41-40017](#) [42-01015](#) [4-22279-4](#) [4-22281-1](#) [4-22284-9](#) [43-](#)  
[00002](#) [43-01166](#) [41-40005](#) [41-40016](#) [43-00161](#) [43-01191](#) [XS3P-M421-2](#) [600X518050X](#) [SACC-DSI-FS-5P-PG9-L180 SC](#) [8R4006A16A120](#)  
[8R4000A16M010](#) [RKC 50/16](#) [1R3004A20A1201](#) [6-22279-3](#) [N03FA03144](#) [1300140077](#) [XS8A-0441](#) [859RD04-103R004](#) [860RD04-113R004](#)  
[860RD04-213R004](#) [860-X08-213R004](#) [1-213245-2](#) [2273142-2](#)