

Housing - HC-STA-B10-HHFS-1TTP21-EL-AL - 1412606

Please be informed that the data shown in this PDF Document is generated from our Online Catalog. Please find the complete data in the user's documentation. Our General Terms of Use for Downloads are valid (<http://phoenixcontact.com/download>)




Sleeve housing B10, for single locking latch, material: Die-cast aluminum, salt water resistant, cable outlets: 1, straight, height: 72 mm, cable gland: none, support sleeve: no, 1x Pg21, Standard

Your advantages

- good shielding in the event of electromagnetic interference



Key Commercial Data

| | |
|--------------|---------------------------------------------------------------------------------------------------------|
| Packing unit | 1 pc |
| GTIN |  4 055626 059334 |
| GTIN | 4055626059334 |

Technical data

Dimensions

| | |
|--------|-------|
| Height | 72 mm |
| Width | 44 mm |
| Length | 73 mm |

Ambient conditions

| | |
|---------------------------------|-------------------|
| Degree of protection (IP) | IP66 |
| | IP67 |
| Degree of protection (NEMA) | 4 (UL 50e) |
| | 4X (UL 50e) |
| | 12 (UL 50e) |
| Ambient temperature (operation) | -40 °C ... 125 °C |

General

| | |
|--------------|--------------------------------------------------|
| Note | For contact inserts HC-B10, BB18, DD42, M, K8/24 |
| Size | B10 |
| Housing type | Sleeve housing |

Housing - HC-STA-B10-HHFS-1TTP21-EL-AL - 1412606

Technical data

General

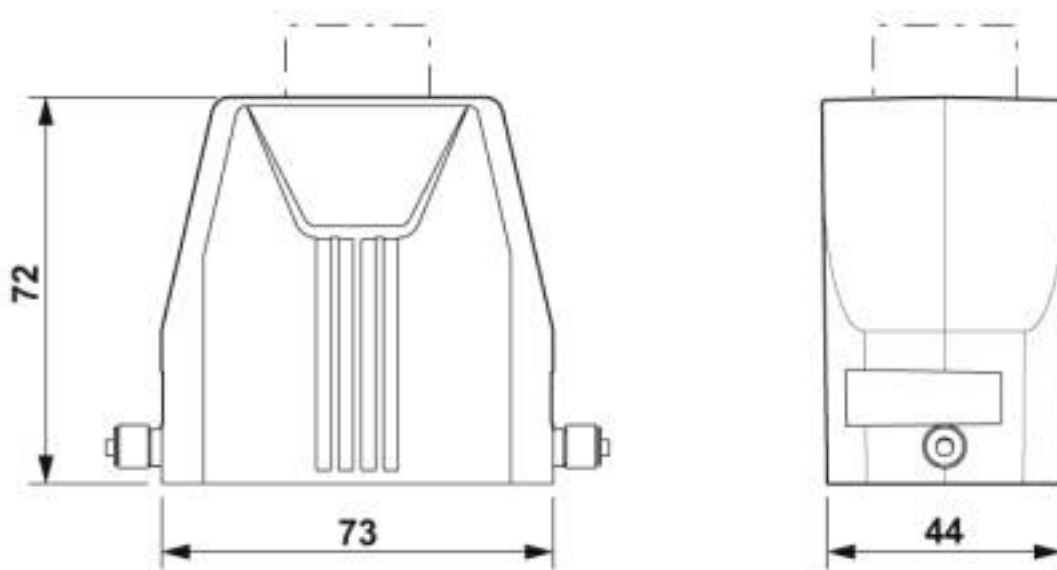
| | |
|------------------------------|-----------------------------------------|
| Color | gray aluminum |
| Locking type | for single locking latch |
| No. of cable outlets | 1 |
| Cable outlet | straight |
| Screw connection | none |
| Type of the screw connection | 1x Pg21 |
| Housing material | Die-cast aluminum, salt water resistant |
| Housing surface material | uncoated |

Environmental Product Compliance

| | |
|------------|-----------------------------------------------------------------------------------------------------|
| China RoHS | Environmentally Friendly Use Period = 50 years |
| | For details about hazardous substances go to tab "Downloads", Category "Manufacturer's declaration" |

Drawings

Dimensional drawing



Dimensional drawing

Classifications

eCl@ss

| | |
|---------------|----------|
| eCl@ss 10.0.1 | 27440202 |
| eCl@ss 5.1 | 27261200 |
| eCl@ss 6.0 | 27261200 |
| eCl@ss 7.0 | 27440202 |
| eCl@ss 8.0 | 27440202 |

Housing - HC-STA-B10-HHFS-1TTP21-EL-AL - 1412606

Classifications

eCl@ss

| | |
|------------|----------|
| eCl@ss 9.0 | 27440202 |
|------------|----------|

ETIM

| | |
|----------|----------|
| ETIM 5.0 | EC000437 |
| ETIM 6.0 | EC000437 |
| ETIM 7.0 | EC000437 |

UNSPSC

| | |
|-------------|----------|
| UNSPSC 13.2 | 31261501 |
| UNSPSC 18.0 | 31261501 |
| UNSPSC 19.0 | 31261501 |
| UNSPSC 20.0 | 31261501 |
| UNSPSC 21.0 | 31261501 |

Approvals

Approvals

Approvals

UL Recognized / cUL Recognized / EAC / DNV GL / cULus Recognized

Ex Approvals

Approval details

| | | | |
|---------------|--|-------------------------------------------------------------------------------------------------------------------------------------------------------|---------|
| UL Recognized | | http://database.ul.com/cgi-bin/XYV/template/LISEXT/1FRAME/index.htm | E255026 |
|---------------|--|-------------------------------------------------------------------------------------------------------------------------------------------------------|---------|

| | | | |
|----------------|--|-------------------------------------------------------------------------------------------------------------------------------------------------------|---------|
| cUL Recognized | | http://database.ul.com/cgi-bin/XYV/template/LISEXT/1FRAME/index.htm | E255026 |
|----------------|--|-------------------------------------------------------------------------------------------------------------------------------------------------------|---------|

| | | | |
|-----|--|--|--------------------------|
| EAC | | | RU C- DE.AI30.B.01102 |
|-----|--|--|--------------------------|

| | | | |
|--------|--|-----------------------------------------------------------------------------------|------------|
| DNV GL | | https://approvalfinder.dnvgl.com/ | TAE000037S |
|--------|--|-----------------------------------------------------------------------------------|------------|

Housing - HC-STA-B10-HHFS-1TTP21-EL-AL - 1412606

Approvals

cULus Recognized



Accessories

Accessories

Full screw connection

Cable gland - G-INS-PG21-M68N-NNES-S - 1411175



Cable gland, cable gland material: Nickel-plated brass, external cable diameter 13 mm ... 18 mm, shielding: no, connecting thread: Pg21, color: silver, with O-ring

Cable gland - G-INSEC-PG21-M68N-NNES-S - 1411200



Cable gland, cable gland material: Nickel-plated brass, external cable diameter 13 mm ... 18 mm, shielding: yes, connecting thread: Pg21, color: silver, with O-ring

Labeled device marker

Plastic label - US-EMLP (20X9) CUS - 0830085



Plastic label, can be ordered: by card, white, labeled according to customer specifications, mounting type: adhesive, lettering field size: 20 x 9 mm, Number of individual labels: 75

Protective cover

Protective covers - HC-B10-HCLWS-PLR-BK - 1414635



Protective cover B10, with single locking latch, protective cover material: PA, height: 21.6 mm, seal: yes, diameter of retaining cord eyelet: 30 mm

Phoenix Contact 2020 © - all rights reserved
<http://www.phoenixcontact.com>

PHOENIX CONTACT GmbH & Co. KG
Flachsmarktstr. 8
32825 Blomberg
Germany
Tel. +49 5235 300
Fax +49 5235 3 41200
<http://www.phoenixcontact.com>

X-ON Electronics

Largest Supplier of Electrical and Electronic Components

Click to view similar products for [Heavy Duty Power Connectors](#) category:

Click to view products by [Phoenix Contact](#) manufacturer:

Other Similar products are found below :

[647757-1](#) [6643411-1](#) [6646058-2](#) [6646137-1](#) [6646138-1](#) [6646479-1](#) [6646608-1](#) [6646786-1](#) [6646940-1](#) [6651091-1](#) [6651525-1](#) [6651529-1](#)
[6651788-1](#) [696475-1](#) [702-32-01109](#) [703-25-02205](#) [73000005059](#) [73000005642](#) [765-15-0080A](#) [765-16-0080B](#) [765-18-0080D](#) [829992-1](#)
[902-77-02113](#) [PS00/A0620/6300](#) [129-1J](#) [1409400](#) [AN0024023](#) [E6374G1](#) [e6389g2](#) [157-43GW8](#) [MS3117-14AC](#) [1643543-1](#) [1650540-1](#)
[1651811-2](#) [1766260-1](#) [1766282-1](#) [1766966-1](#) [1791340000](#) [NLDFT-3-BL-L-S120-M40A](#) [NLDFT-N-W-L-C240-M40B](#) [NLS-2-R-C240-](#)
[M40B](#) [NLS-N-W-C240-M40B](#) [NPS-3-BL-T6](#) [1986615-1](#) [2-1589900-8](#) [2199314-1](#) [KA8102](#) [9300480317](#) [SBS50BRN#6](#) [29131](#)