

# Housing - HC-STA-B10-HLWD-1TTP16-EL-AL - 1412639

Please be informed that the data shown in this PDF Document is generated from our Online Catalog. Please find the complete data in the user's documentation. Our General Terms of Use for Downloads are valid (<http://phoenixcontact.com/download>)




Sleeve housing B10, with double locking latch, material: Die-cast aluminum, salt water resistant, cable outlets: 1, straight, height: 57 mm, cable gland: none, support sleeve: no, 1x Pg16, Standard

## Your advantages

- ✔ good shielding in the event of electromagnetic interference



## Key Commercial Data

|              |   |
|--------------|---|
| Packing unit | 1 pc  |
| GTIN         | <br>4 055626 059655 |
| GTIN         | 4055626059655   |

## Technical data

### Dimensions

|        |       |
|--------|-------|
| Height | 57 mm |
| Width  | 44 mm |
| Length | 73 mm |

### Ambient conditions

|                                 |                   |
|---------------------------------|-------------------|
| Degree of protection (IP)       | IP66              |
|                                 | IP67              |
| Degree of protection (NEMA)     | 4 (UL 50e)        |
|                                 | 4X (UL 50e)       |
|                                 | 12 (UL 50e)       |
| Ambient temperature (operation) | -40 °C ... 125 °C |

### General

|              |  |
|--------------|--|
| Note         | For contact inserts HC-B10, BB18, DD42, M, K8/24 |
| Size         | B10  |
| Housing type | Sleeve housing                                   |

# Housing - HC-STA-B10-HLWD-1TTP16-EL-AL - 1412639

## Technical data

### General

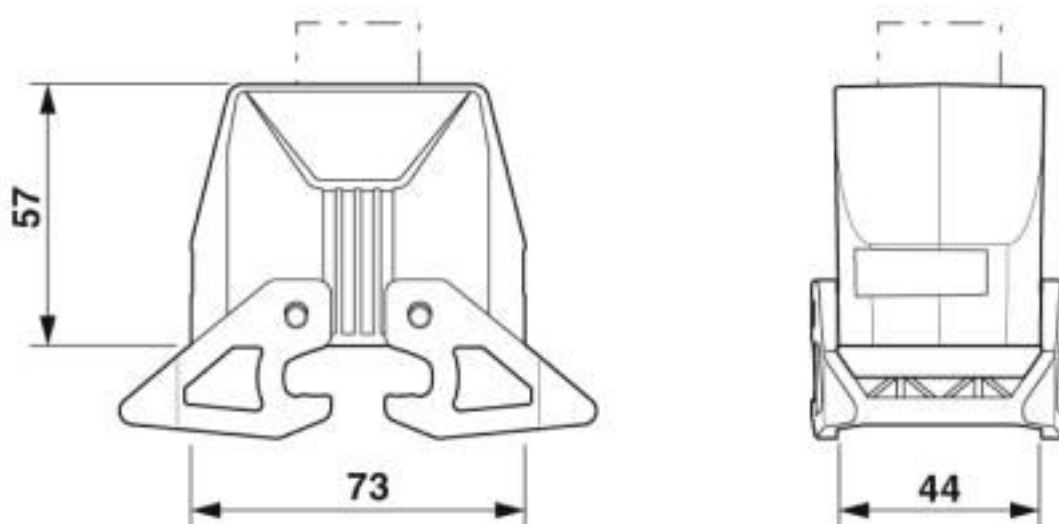
|  |   |
|--|---|
| Color                                  | gray aluminum                           |
| Locking type                           | with double locking latch               |
| No. of cable outlets                   | 1                                       |
| Cable outlet                           | straight                                |
| Screw connection                       | none                                    |
| Type of the screw connection           | 1x Pg16                                 |
| Housing material                       | Die-cast aluminum, salt water resistant |
| Housing surface material               | uncoated                                |
| Material lock                          | PA                                      |
| Flammability rating according to UL 94 | V0 (Interlock)                          |

### Environmental Product Compliance

|            |   |
|------------|---|
| China RoHS | Environmentally Friendly Use Period = 50 years  |
|            | For details about hazardous substances go to tab "Downloads", Category "Manufacturer's declaration" |

## Drawings

Dimensional drawing



Dimensional drawing

## Classifications

### eCl@ss

|               |          |
|---------------|----------|
| eCl@ss 10.0.1 | 27440202 |
| eCl@ss 5.1    | 27261200 |
| eCl@ss 6.0    | 27261200 |

# Housing - HC-STA-B10-HLWD-1TTP16-EL-AL - 1412639

## Classifications

### eCl@ss

|            |          |
|------------|----------|
| eCl@ss 7.0 | 27440202 |
| eCl@ss 8.0 | 27440202 |
| eCl@ss 9.0 | 27440202 |

### ETIM

|          |          |
|----------|----------|
| ETIM 5.0 | EC000437 |
| ETIM 6.0 | EC000437 |
| ETIM 7.0 | EC000437 |

### UNSPSC

|             |          |
|-------------|----------|
| UNSPSC 13.2 | 31261501 |
| UNSPSC 18.0 | 31261501 |
| UNSPSC 19.0 | 31261501 |
| UNSPSC 20.0 | 31261501 |
| UNSPSC 21.0 | 31261501 |

## Approvals

### Approvals

#### Approvals

UL Recognized / cUL Recognized / EAC / DNV GL / cULus Recognized

#### Ex Approvals

### Approval details

|               |  |   |         |
|---------------|--|---|---------|
| UL Recognized |  | <a href="http://database.ul.com/cgi-bin/XYV/template/LISEXT/1FRAME/index.htm">http://database.ul.com/cgi-bin/XYV/template/LISEXT/1FRAME/index.htm</a> | E255026 |
|---------------|--|---|---------|

|                |  |   |         |
|----------------|--|---|---------|
| cUL Recognized |  | <a href="http://database.ul.com/cgi-bin/XYV/template/LISEXT/1FRAME/index.htm">http://database.ul.com/cgi-bin/XYV/template/LISEXT/1FRAME/index.htm</a> | E255026 |
|----------------|--|---|---------|

|     |  |                          |
|-----|--|--------------------------|
| EAC |  | RU C-<br>DE.AI30.B.01102 |
|-----|--|--------------------------|

# Housing - HC-STA-B10-HLWD-1TTP16-EL-AL - 1412639

## Approvals

|        |  |   |            |
|--------|--|---|------------|
| DNV GL |  | <a href="https://approvalfinder.dnvgl.com/">https://approvalfinder.dnvgl.com/</a> | TAE000037S |
|--------|--|---|------------|

|                  |  |
|------------------|--|
| cULus Recognized |  |
|------------------|--|

## Accessories

### Accessories

#### Full screw connection

Cable gland - G-INS-PG16-S68N-NNES-S - 1411174



Cable gland, cable gland material: Nickel-plated brass, external cable diameter 10 mm ... 14 mm, shielding: no, connecting thread: Pg16, color: silver, with O-ring

Cable gland - G-INSEC-PG16-S68N-NNES-S - 1411199



Cable gland, cable gland material: Nickel-plated brass, external cable diameter 10 mm ... 14 mm, shielding: yes, connecting thread: Pg16, color: silver, with O-ring

## Housing latches

Housing brackets - HC-STA-B10-24-DL-PLBK - 1412886



Double locking latch for B10 / B16 / B24 housing, HC-EVO....AL and HC-STA....AL

## Labeled device marker

## Housing - HC-STA-B10-HLWD-1TTP16-EL-AL - 1412639

### Accessories

Plastic label - US-EMLP (20X9) CUS - 0830085



Plastic label, can be ordered: by card, white, labeled according to customer specifications, mounting type: adhesive, lettering field size: 20 x 9 mm, Number of individual labels: 75

---

### Protective cover

Protective covers - HC-B10-BCSFD-P-BK - 1414628



Protective cover B10, for double locking latch, protective cover material: PA, height: 18.5 mm, seal: no, diameter of retaining cord eyelet: 40 mm

---

Phoenix Contact 2020 © - all rights reserved  
<http://www.phoenixcontact.com>

PHOENIX CONTACT GmbH & Co. KG  
Flachsmarktstr. 8  
32825 Blomberg  
Germany  
Tel. +49 5235 300  
Fax +49 5235 3 41200  
<http://www.phoenixcontact.com>

## X-ON Electronics

Largest Supplier of Electrical and Electronic Components

*Click to view similar products for [Heavy Duty Power Connectors](#) category:*

*Click to view products by [Phoenix Contact](#) manufacturer:*

Other Similar products are found below :

[647757-1](#) [6643411-1](#) [6646058-2](#) [6646137-1](#) [6646138-1](#) [6646479-1](#) [6646608-1](#) [6646786-1](#) [6646940-1](#) [6651091-1](#) [6651525-1](#) [6651529-1](#)  
[6651788-1](#) [696475-1](#) [702-32-01109](#) [703-25-02205](#) [73000005059](#) [73000005642](#) [73080255059](#) [73080965046](#) [765-15-0080A](#) [765-16-0080B](#)  
[765-18-0080D](#) [829992-1](#) [902-77-02113](#) [PS00/A0620/6300](#) [PS25/A0420/63](#) [129-1J](#) [1409400](#) [AN0024023](#) [E6374G1](#) [e6389g2](#) [157-43GW8](#)  
[MS3117-14AC](#) [1643543-1](#) [1650540-1](#) [1651811-2](#) [1766260-1](#) [1766282-1](#) [1766966-1](#) [1791340000](#) [NLDFT-3-BL-L-S120-M40A](#) [NLDFT-N-](#)  
[W-L-C240-M40B](#) [NLS-2-R-C240-M40B](#) [NLS-N-W-C240-M40B](#) [NPS-3-BL-T6](#) [1986615-1](#) [2-1589900-8](#) [2199314-1](#) [KA8102](#)