

Panel mounting frames - CUC-V14-F1ZNI-EM/R4B8 - 1413962


Please be informed that the data shown in this PDF Document is generated from our Online Catalog. Please find the complete data in the user's documentation. Our General Terms of Use for Downloads are valid (<http://phoenixcontact.com/download>)



RJ45 panel mounting frame, IP67, for push-pull interlocking, metal, for rectangular mounting cutout, with seal and mounting screws, incl. RJ45 coupling module



Key Commercial Data

Packing unit	1 pc
GTIN	 4 055626 082141
GTIN	4055626082141

Technical data

Mechanical characteristics

Number of positions	8
Number of slots	2
Connection profile	RJ45
Locking type	Push Pull
Insertion/withdrawal cycles	≥ 750
Tightening torque, min.	0.5 Nm
Tightening torque max.	0.75 Nm
Screw thread	M3
Insulation resistance	> 500 MΩ
Degree of protection	IP65/IP67
Type	RJ45, IP65/67, version 14
Note	This product corresponds to the PROFIBUS Cabling and Interconnection Technology Guideline for PROFIBUS regulations, version 2.00, order no: 2.252, Chapter 8.2 Connectors for Outside Environment (Balanced cabling) and chapter 13 Application specific Cabling and Interconnection Technology (AIDA)

Ambient conditions

Ambient temperature (operation)	-10 °C ... 60 °C
---------------------------------	------------------

Panel mounting frames - CUC-V14-F1ZNI-EM/R4B8 - 1413962

Technical data

Ambient conditions

Ambient temperature (assembly)	-10 °C ... 60 °C
Ambient temperature (storage/transport)	-40 °C ... 70 °C

Material data

Flammability rating according to UL 94	V0
Housing material	Zinc die-cast
Housing surface material	Nickel-plated
Contact carrier material	PC
Contact surface material	Gold over nickel
Material	Metal
Seal material	NBR
Height	42 mm

Electrical characteristics

Number of positions	8
GRP transmission properties	CAT6 _A
Transmission speed	1 Gbps
Frequency range	250 MHz
Degree of pollution	2
Rated voltage (III/3)	72 V (DC)

Standards and Regulations

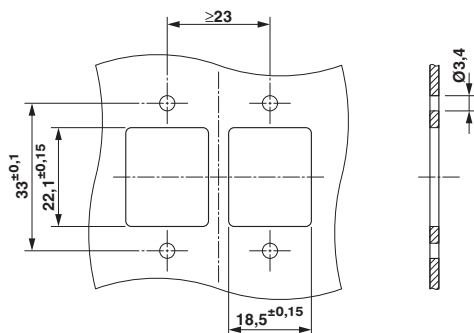
Flammability rating according to UL 94	V0
--	----

Environmental Product Compliance

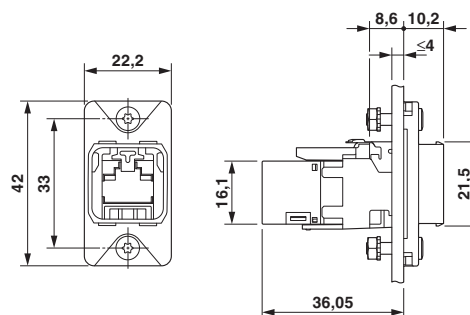
China RoHS	For details about hazardous substances go to tab "Downloads", Category "Manufacturer's declaration"
------------	---

Drawings

Drilling diagram



Dimensional drawing



Panel mounting frames - CUC-V14-F1ZNI-EM/R4B8 - 1413962

Approvals


Approvals

Approvals

cULus Recognized

Ex Approvals

Approval details

cULus Recognized  http://database.ul.com/cgi-bin/XYV/template/LISEXT/1FRAME/index.htm E335024-20160727	
Nominal voltage UN	56.5 V
Nominal current IN	0.175 A

Phoenix Contact 2018 © - all rights reserved
<http://www.phoenixcontact.com>

PHOENIX CONTACT GmbH & Co. KG
Flachsmarktstr. 8
32825 Blomberg
Germany
Tel. +49 5235 300
Fax +49 5235 3 41200
<http://www.phoenixcontact.com>

X-ON Electronics

Largest Supplier of Electrical and Electronic Components

Click to view similar products for [Modular Connectors / Ethernet Connectors](#) category:

Click to view products by [Phoenix Contact](#) manufacturer:

Other Similar products are found below :

[8949-H88/06BLKA/SN](#) [74441-0010/BKN](#) [MP1010RX-1000](#) [MP44RX-1000](#) [PHP-6P6C-5](#) [GAX-3-66](#) [GAX-8-62](#) [GDCX-PA-66-50](#) [GDCX-PN-64](#) [GDCX-PN-66](#) [GDCX-PN-66-50](#) [GDLX-A-66](#) [GDLX-N-66](#) [GDLX-S-66](#) [GDLX-S-88K](#) [GDTX-S-88-50](#) [GDX-PA-1010](#) [GLX-N-1010M-BLK](#) [GLX-S-88M-BLK](#) [GMX-N-1010](#) [GMX-S-1010](#) [GMX-S-66](#) [GMX-SMT4-N-88](#) [GPX-2-64](#) [GSGX-N-2-88](#) [GSGX-N-4-88](#) [GSX-NS2-88-3.05](#) [GSX-NS2-88-3.05-50](#) [GSX-NS-88-3.05-50](#) [PT-108A-8C-UL](#) [PT-J951-8C](#) [PTS-J531-8CS-50UL](#) [1-1775629-2](#) [A-2014-0-4](#) [GWLX-S-88-GR](#) [GWLX-S9-88-YG](#) [DC-1021-8-WH-6](#) [1300530003](#) [1324640-4](#) [RJ11FTVC2G](#) [RJ11FTVC2N](#) [RJFTVX2SA1G](#) [132764-001](#) [1413235](#) [MP88X-1000](#) [MPS88RX-5000](#) [E5288-S000K3-L](#) [E5908-15A242-L](#) [155302-001](#) [AX100653](#)