

Housing screw connection - SACC-BP-F-M12/ VAR-1,7/2,5-9TIP - 1414232


Please be informed that the data shown in this PDF Document is generated from our Online Catalog. Please find the complete data in the user's documentation. Our General Terms of Use for Downloads are valid (<http://phoenixcontact.com/download>)



M12 housing screw connection with tolerance-compensating function, for straight, THR solderable M12 socket contact inserts. Suitable for 1.7 mm ... 2.5 mm thick front plates.



Key Commercial Data

| | |
|------------------------|---|
| Packing unit | 10 pc |
| Minimum order quantity | 10 pc |
| GTIN |  4 055626 022734 |
| GTIN | 4055626022734 |

Technical data

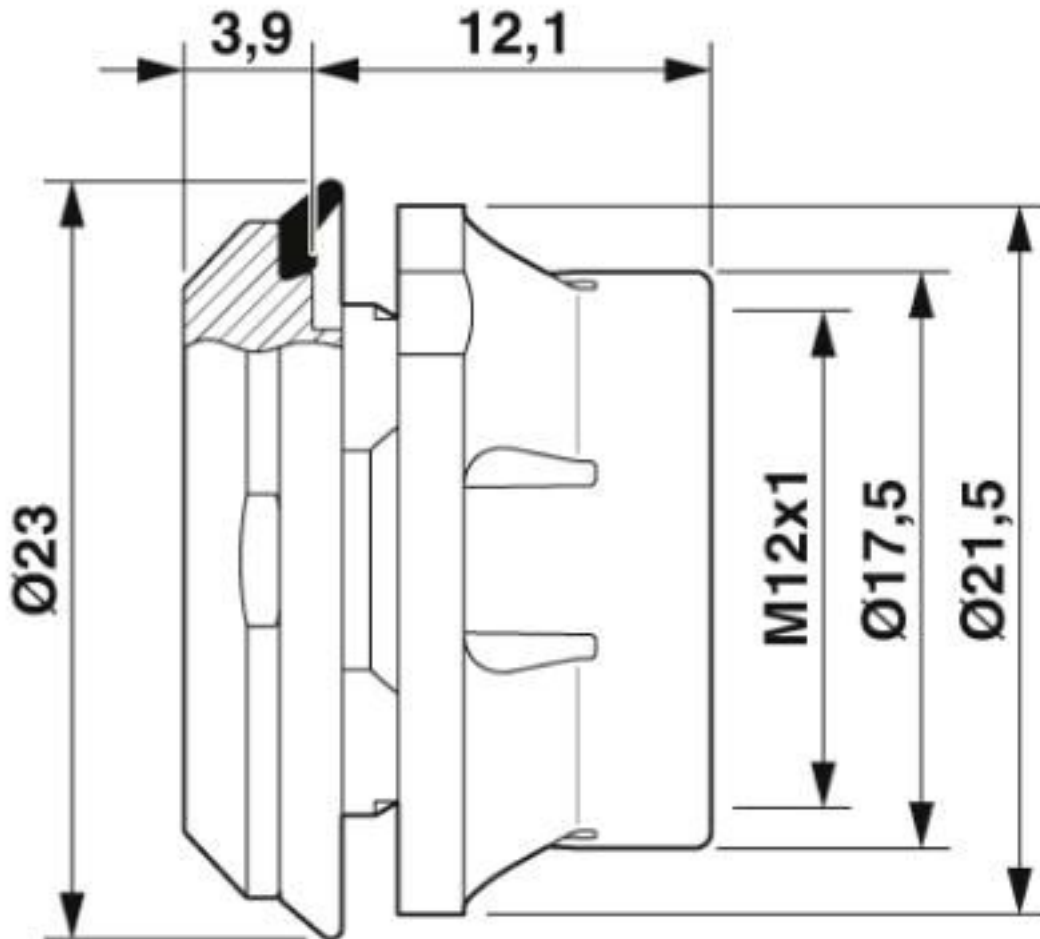
Environmental Product Compliance

| | |
|------------|---|
| China RoHS | Environmentally Friendly Use Period = 50 years |
| | For details about hazardous substances go to tab "Downloads", Category "Manufacturer's declaration" |

Drawings

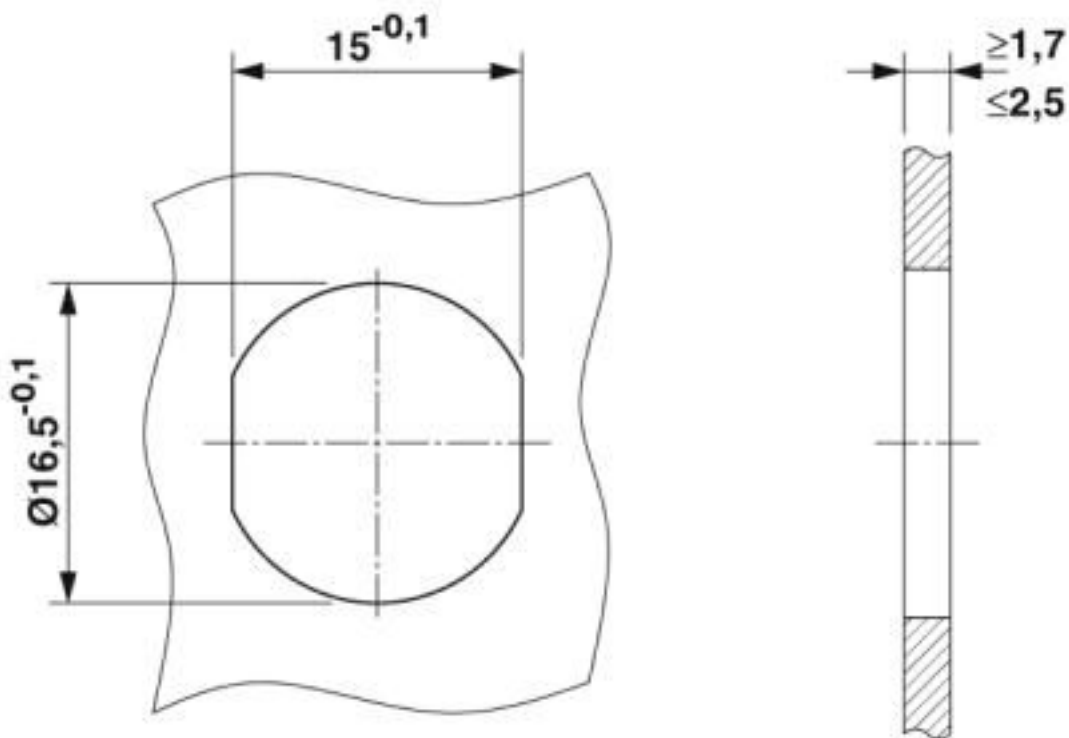
Housing screw connection - SACC-BP-F-M12/ VAR-1,7/2,5-9TIP - 1414232

Dimensional drawing



Housing screw connection - SACC-BP-F-M12/ VAR-1,7/2,5-9TIP - 1414232

Dimensional drawing



Mounting cutout

Classifications

eCl@ss

| | |
|---------------|----------|
| eCl@ss 10.0.1 | 23100602 |
| eCl@ss 4.0 | 23100600 |
| eCl@ss 4.1 | 23100600 |
| eCl@ss 5.0 | 23100600 |
| eCl@ss 5.1 | 23100600 |
| eCl@ss 6.0 | 23100600 |
| eCl@ss 7.0 | 23100602 |
| eCl@ss 8.0 | 23100602 |
| eCl@ss 9.0 | 23100602 |

ETIM

| | |
|----------|----------|
| ETIM 4.0 | EC001855 |
| ETIM 5.0 | EC002350 |
| ETIM 6.0 | EC002350 |
| ETIM 7.0 | EC002350 |

Housing screw connection - SACC-BP-F-M12/ VAR-1,7/2,5-9TIP - 1414232

Classifications

UNSPSC

| | |
|-------------|----------|
| UNSPSC 13.2 | 31171603 |
| UNSPSC 18.0 | 31171603 |
| UNSPSC 19.0 | 31171603 |
| UNSPSC 20.0 | 31171603 |
| UNSPSC 21.0 | 31171603 |

Approvals

Approvals

Approvals

EAC

Ex Approvals

Approval details

| | | |
|-----|--|---------|
| EAC | | B.01687 |
|-----|--|---------|

Accessories

Accessories

Panel mounting base

Housing screw connection - SACC-BP-F-FIX/NUT-BL-THR - 1417782



Fixing sleeve for M12 housing screw connection with tolerance-compensating function, for THR solderable M12 socket contact inserts.

Housing screw connection - SACC-BP-F-FIX/NUT-CY-THR - 1417783



Fixing sleeve for M12 housing screw connection with tolerance-compensating function, for THR solderable M12 socket contact inserts.

Housing screw connection - SACC-BP-F-M12/ VAR-1,7/2,5-9TIP - 1414232

Accessories

Housing screw connection - SACC-BP-F-FIX/NUT-RD-THR - 1417784



Fixing sleeve for M12 housing screw connection with tolerance-compensating function, for THR solderable M12 socket contact inserts.

Housing screw connection - SACC-BP-F-FIX/NUT-YE-THR - 1417785



Fixing sleeve for M12 housing screw connection with tolerance-compensating function, for THR solderable M12 socket contact inserts.

Housing screw connection - SACC-BP-F-FIX/NUT-GN-THR - 1417787



Fixing sleeve for M12 housing screw connection with tolerance-compensating function, for THR solderable M12 socket contact inserts.

Housing screw connection - SACC-BP-F-FIX/NUT-VT-THR - 1417788



Fixing sleeve for M12 housing screw connection with tolerance-compensating function, for THR solderable M12 socket contact inserts.

Housing screw connection - SACC-BP-F-FIX/NUT-OR-THR - 1417789



Fixing sleeve for M12 housing screw connection with tolerance-compensating function, for THR solderable M12 socket contact inserts.

Housing screw connection - SACC-BP-F-M12/ VAR-1,7/2,5-9TIP - 1414232

Accessories

Housing screw connection - SACC-BP-F-FIX/NUT-BK-THR - 1419697



Fixing sleeve for M12 housing screw connection with tolerance-compensating function, for THR solderable M12 socket contact inserts.

Phoenix Contact 2020 © - all rights reserved
<http://www.phoenixcontact.com>

PHOENIX CONTACT GmbH & Co. KG
Flachsmarktstr. 8
32825 Blomberg
Germany
Tel. +49 5235 300
Fax +49 5235 3 41200
<http://www.phoenixcontact.com>

X-ON Electronics

Largest Supplier of Electrical and Electronic Components

Click to view similar products for [Circular Metric Connectors](#) category:

Click to view products by [Phoenix Contact](#) manufacturer:

Other Similar products are found below :

[600X518037X](#) [6STD15PCR99B70A](#) [8R4000A16M020](#) [8R5000A16M005](#) [1200910002](#) [1203580030](#) [1200910008](#) [1200910011](#) [1300140094](#)
[130203-0054](#) [1300140026](#) [1300150099](#) [RF-12S1N8A90DU](#) [1612618](#) [21036836414](#) [8R4006A16M010](#) [1604232](#) [1R3006A20M005](#) [RF-](#)
[12P1N8A80DU](#) [RF-12P1N8A90DU](#) [41-40011](#) [42-00006](#) [42-01015](#) [4-22279-4](#) [4-22281-1](#) [4-22284-9](#) [43-00113](#) [43-01088](#) [43-01203](#) [41-](#)
[40013](#) [42-00008](#) [43-00343](#) [43-01026](#) [43-01032](#) [43-01162](#) [43-01173](#) [43-10000](#) [XS3P-M421-2](#) [600X518050X](#) [SACC-DSI-FS-5P-PG9-L180](#)
[SC](#) [8R5006A16M020](#) [8R5006A16M005](#) [8R4000A16M010](#) [6-22279-3](#) [1605332](#) [N03FA03144](#) [1300140077](#) [43-16213](#) [43-01338](#)
[XS2RD4265](#)