

# Housing screw connection - SACC-BP-F-M12/ VAR-2,4/3,2-9TIP - 1414233


Please be informed that the data shown in this PDF Document is generated from our Online Catalog. Please find the complete data in the user's documentation. Our General Terms of Use for Downloads are valid (<http://phoenixcontact.com/download>)



M12 housing screw connection with tolerance-compensating function, for straight, THR solderable M12 socket contact inserts. Suitable for 2.4 mm ... 3.2 mm thick front plates.



## Key Commercial Data

Packing unit	10 pc
Minimum order quantity	10 pc
GTIN	 4 055626 022741
GTIN	4055626022741

## Technical data

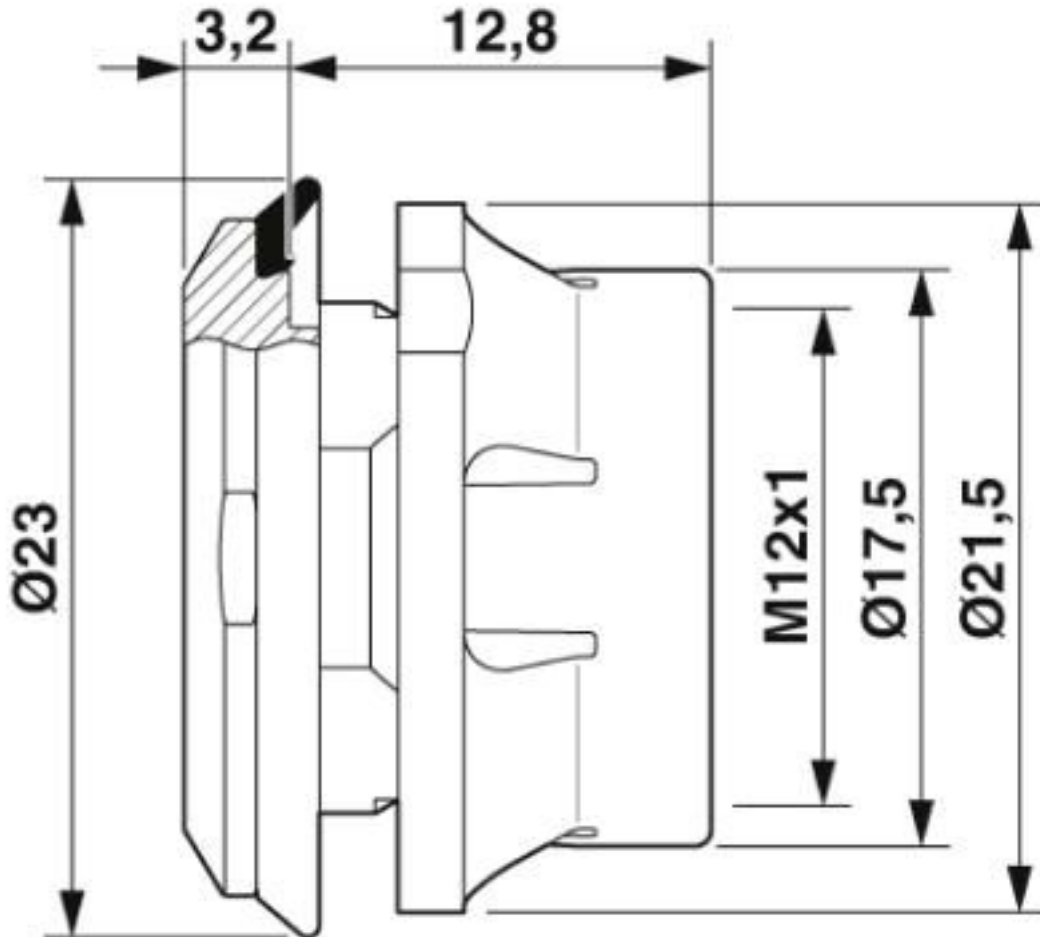
### Environmental Product Compliance

China RoHS	Environmentally Friendly Use Period = 50 years
	For details about hazardous substances go to tab "Downloads", Category "Manufacturer's declaration"

## Drawings

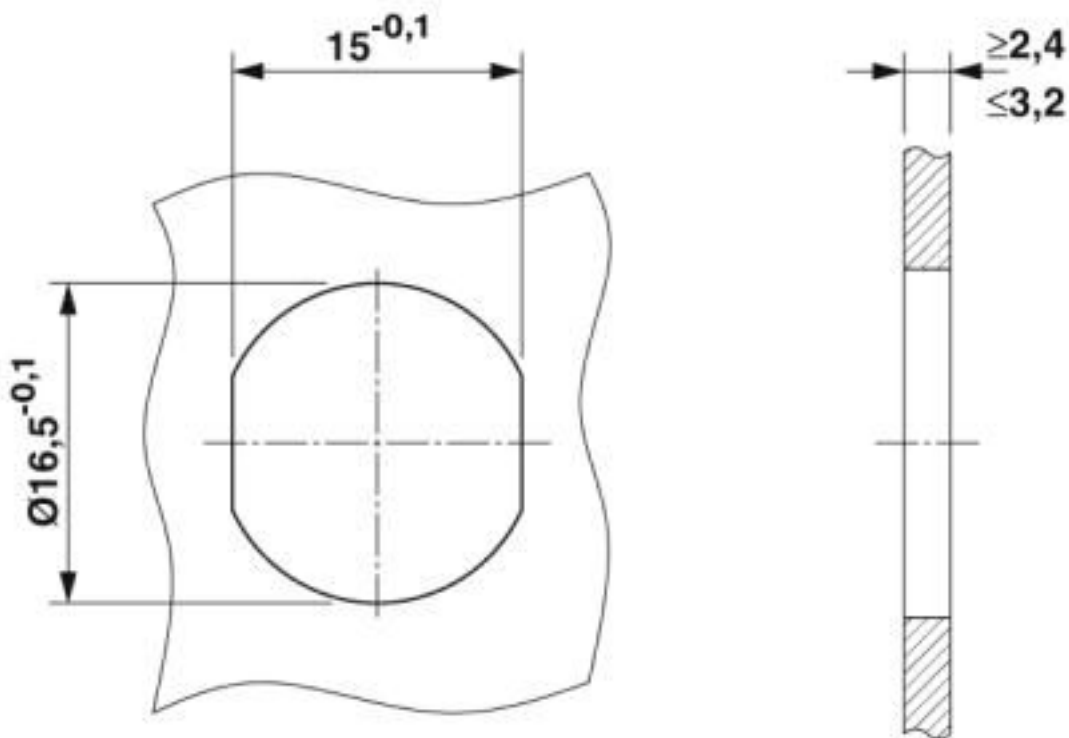
# Housing screw connection - SACC-BP-F-M12/ VAR-2,4/3,2-9TIP - 1414233

Dimensional drawing



# Housing screw connection - SACC-BP-F-M12/ VAR-2,4/3,2-9TIP - 1414233

Dimensional drawing



Mounting cutout

## Classifications

eCl@ss

eCl@ss 10.0.1	23100602
eCl@ss 4.0	23100600
eCl@ss 4.1	23100600
eCl@ss 5.0	23100600
eCl@ss 5.1	23100600
eCl@ss 6.0	23100600
eCl@ss 7.0	23100602
eCl@ss 8.0	23100602
eCl@ss 9.0	23100602

ETIM

ETIM 4.0	EC001855
ETIM 5.0	EC002350
ETIM 6.0	EC002350
ETIM 7.0	EC002350

# Housing screw connection - SACC-BP-F-M12/ VAR-2,4/3,2-9TIP - 1414233

## Classifications

### UNSPSC

UNSPSC 13.2	31171603
UNSPSC 18.0	31171603
UNSPSC 19.0	31171603
UNSPSC 20.0	31171603
UNSPSC 21.0	31171603

## Approvals

### Approvals

---

Approvals

EAC

---

Ex Approvals

---

### Approval details

EAC		B.01687
-----	--	---------

## Accessories

### Accessories

#### Panel mounting base

#### Housing screw connection - SACC-BP-F-FIX/NUT-BL-THR - 1417782



Fixing sleeve for M12 housing screw connection with tolerance-compensating function, for THR solderable M12 socket contact inserts.

#### Housing screw connection - SACC-BP-F-FIX/NUT-CY-THR - 1417783



Fixing sleeve for M12 housing screw connection with tolerance-compensating function, for THR solderable M12 socket contact inserts.

## Housing screw connection - SACC-BP-F-M12/ VAR-2,4/3,2-9TIP - 1414233

### Accessories

---

Housing screw connection - SACC-BP-F-FIX/NUT-RD-THR - 1417784



Fixing sleeve for M12 housing screw connection with tolerance-compensating function, for THR solderable M12 socket contact inserts.

---

Housing screw connection - SACC-BP-F-FIX/NUT-YE-THR - 1417785



Fixing sleeve for M12 housing screw connection with tolerance-compensating function, for THR solderable M12 socket contact inserts.

---

Housing screw connection - SACC-BP-F-FIX/NUT-GN-THR - 1417787



Fixing sleeve for M12 housing screw connection with tolerance-compensating function, for THR solderable M12 socket contact inserts.

---

Housing screw connection - SACC-BP-F-FIX/NUT-VT-THR - 1417788



Fixing sleeve for M12 housing screw connection with tolerance-compensating function, for THR solderable M12 socket contact inserts.

---

Housing screw connection - SACC-BP-F-FIX/NUT-OR-THR - 1417789



Fixing sleeve for M12 housing screw connection with tolerance-compensating function, for THR solderable M12 socket contact inserts.

---

## Housing screw connection - SACC-BP-F-M12/ VAR-2,4/3,2-9TIP - 1414233

### Accessories

Housing screw connection - SACC-BP-F-FIX/NUT-BK-THR - 1419697



Fixing sleeve for M12 housing screw connection with tolerance-compensating function, for THR solderable M12 socket contact inserts.

---

Phoenix Contact 2020 © - all rights reserved  
<http://www.phoenixcontact.com>

PHOENIX CONTACT GmbH & Co. KG  
Flachsmarktstr. 8  
32825 Blomberg  
Germany  
Tel. +49 5235 300  
Fax +49 5235 3 41200  
<http://www.phoenixcontact.com>

## X-ON Electronics

Largest Supplier of Electrical and Electronic Components

*Click to view similar products for [Circular Metric Connectors](#) category:*

*Click to view products by [Phoenix Contact](#) manufacturer:*

Other Similar products are found below :

[600X518037X](#) [6STD15PCR99B70A](#) [8R4000A16M020](#) [8R5000A16M005](#) [1200910002](#) [1203580030](#) [1200910008](#) [1200910011](#) [1300140094](#)  
[130203-0054](#) [1300140026](#) [1300150099](#) [RF-12S1N8A90DU](#) [1-3637-600-5205](#) [1612618](#) [21036836414](#) [8R4006A16M010](#) [1604232](#)  
[1R3006A20M005](#) [RF-12P1N8A90DU](#) [41-40011](#) [42-00006](#) [42-01015](#) [4-22279-4](#) [4-22281-1](#) [4-22284-9](#) [43-00113](#) [43-01088](#) [43-01203](#) [41-](#)  
[40013](#) [42-00008](#) [43-00343](#) [43-01026](#) [43-01162](#) [43-01173](#) [43-10000](#) [XS3P-M421-2](#) [600X518050X](#) [SACC-DSI-FS-5P-PG9-L180 SC](#)  
[8R5006A16M020](#) [8R5006A16M005](#) [8R4000A16M010](#) [6-22279-3](#) [1605332](#) [N03FA03144](#) [1300140077](#) [43-16213](#) [43-01338](#) [XS2RD4265](#)  
[XS2R-D426-1](#)