

Control cabinet feed-through - CUC-BH-M12D1PBK-A/R4BE - 1414397

Please be informed that the data shown in this PDF Document is generated from our Online Catalog. Please find the complete data in the user's documentation. Our General Terms of Use for Downloads are valid (<http://phoenixcontact.com/download>)




Control cabinet feed-through, M12, 4-pos., D-coded to RJ45 socket, socket entry: 90°, IP65/IP67

Your advantages

- ✓ Compact design
- ✓ 100 Mbps
- ✓ IP65/67
- ✓ UL



Key Commercial Data

Packing unit	1 pc
GTIN	 4 055626 166742
GTIN	4055626166742

Technical data

Mechanical characteristics

Thread type	M12
Cable outlet	angled
Weight	34 g
Flammability rating according to UL 94	V0

Ambient conditions

Ambient temperature (operation)	-25 °C ... 85 °C
---------------------------------	------------------

Material data

Contact material	Copper alloy
Housing material	PA
Mounting type	Rear mounting

Electrical characteristics

Control cabinet feed-through - CUC-BH-M12D1PBK-A/R4BE - 1414397

Technical data

Electrical characteristics

Number of positions	4
Nominal voltage U_N	48 V
Nominal current I_N	0.5 A
Transmission characteristics (category)	CAT5 (IEC 11801:2002)
GRP transmission properties	Ethernet CAT5 (IEC 11801:2002) CAT5 (IEC 11801:2002)
Transmission speed	100 Mbps
Rated current	1.75 A
Rated voltage (III/3)	72 V (DC)

Standards and Regulations

Flammability rating according to UL 94	V0
--	----

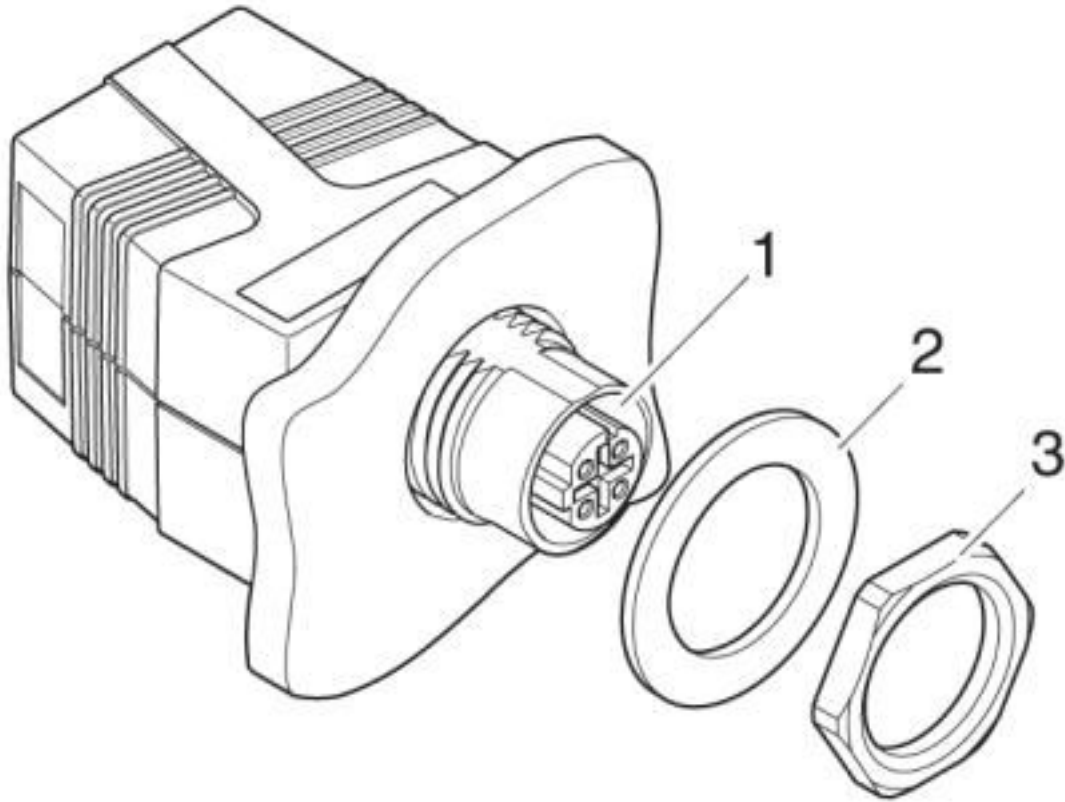
Environmental Product Compliance

REACH SVHC	Lead 7439-92-1
China RoHS	Environmentally Friendly Use Period = 50 years
	For details about hazardous substances go to tab "Downloads", Category "Manufacturer's declaration"

Drawings

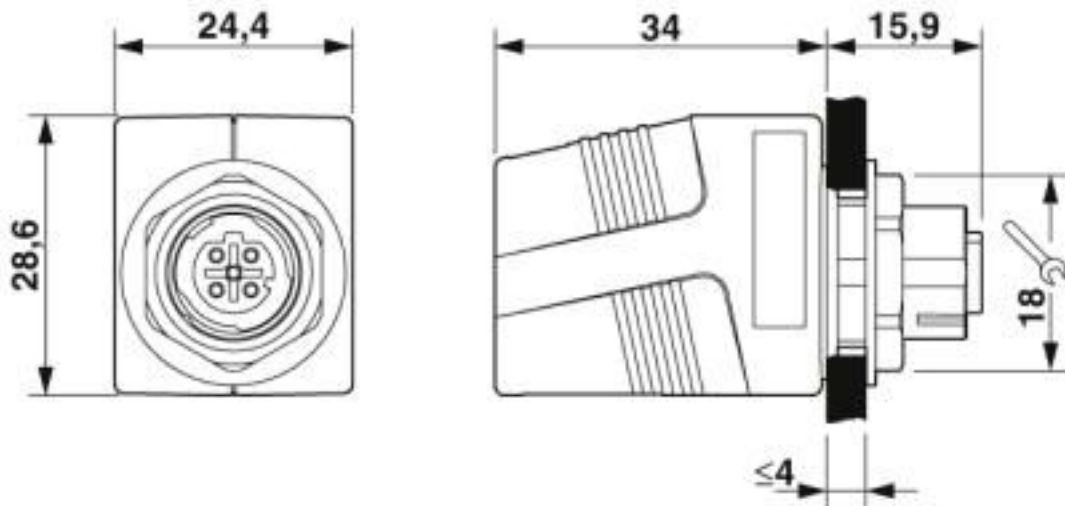
Control cabinet feed-through - CUC-BH-M12D1PBK-A/R4BE - 1414397

Exploded view



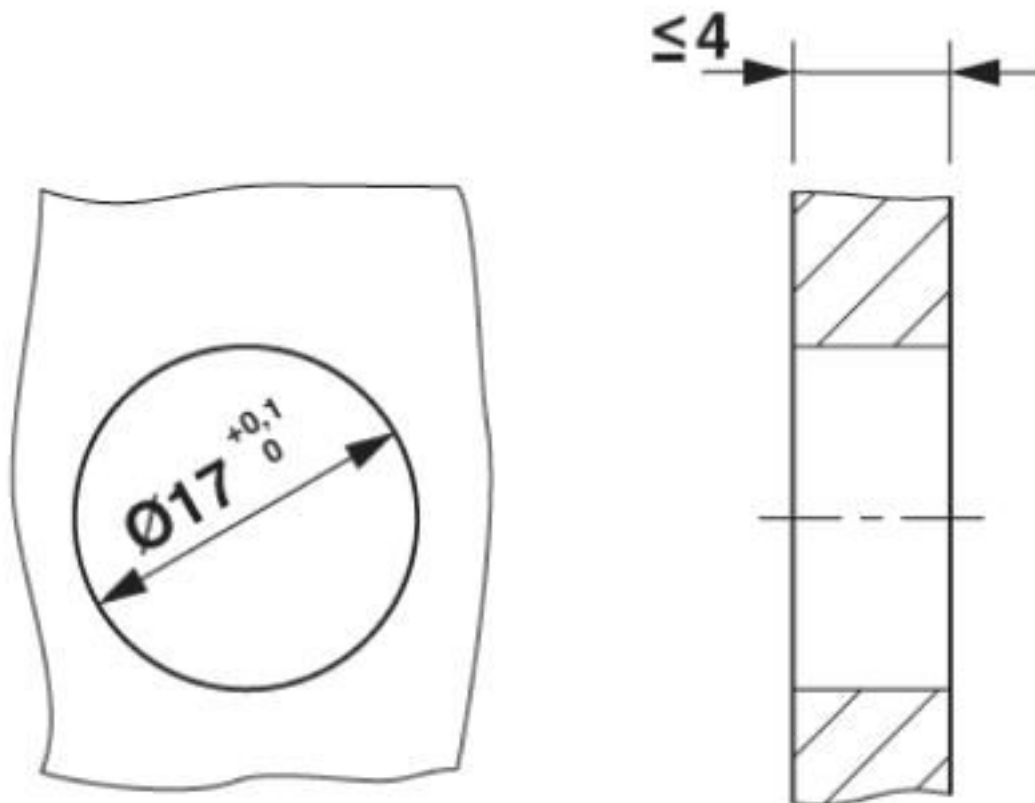
Exploded drawing

Dimensional drawing



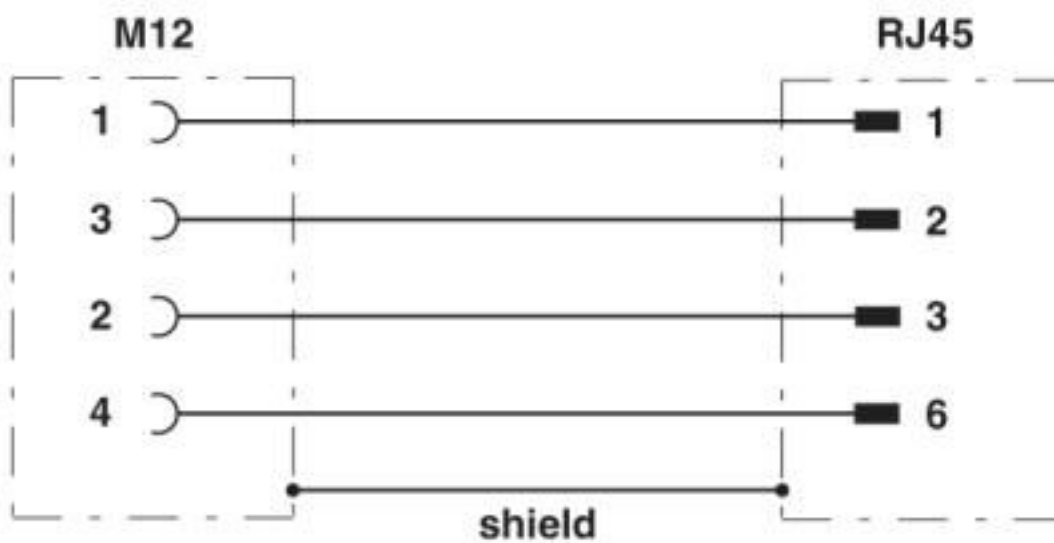
Control cabinet feed-through - CUC-BH-M12D1PBK-A/R4BE - 1414397

Dimensional drawing



Mounting cutout

Circuit diagram



Circuit diagram

Control cabinet feed-through - CUC-BH-M12D1PBK-A/R4BE - 1414397

Classifications

eCl@ss

eCl@ss 10.0.1	27141134
eCl@ss 5.0	27141100
eCl@ss 5.1	27141100
eCl@ss 6.0	27141100
eCl@ss 7.0	27141134
eCl@ss 8.0	27141134
eCl@ss 9.0	27141134

ETIM

ETIM 5.0	EC001283
ETIM 6.0	EC001283
ETIM 7.0	EC001283

UNSPSC

UNSPSC 13.2	39121410
UNSPSC 18.0	39121410
UNSPSC 19.0	39121410
UNSPSC 20.0	39121410
UNSPSC 21.0	39121410

Approvals


Approvals

Approvals

UL Listed / cUL Listed / EAC / cULus Listed


Ex Approvals

Approval details

UL Listed		http://database.ul.com/cgi-bin/XYV/template/LISEXT/1FRAME/index.htm E335024-20140306
Nominal voltage UN	60 V	
Nominal current IN	0.5 A	

Control cabinet feed-through - CUC-BH-M12D1PBK-A/R4BE - 1414397

Approvals

cUL Listed		http://database.ul.com/cgi-bin/XYV/template/LISEXT/1FRAME/index.htm E335024-20140306
Nominal voltage UN		60 V
Nominal current IN		0.5 A

EAC		B.01687
-----	---	---------

cULus Listed	
--------------	---

Phoenix Contact 2020 © - all rights reserved
<http://www.phoenixcontact.com>

PHOENIX CONTACT GmbH & Co. KG
Flachsmarktstr. 8
32825 Blomberg
Germany
Tel. +49 5235 300
Fax +49 5235 3 41200
<http://www.phoenixcontact.com>

X-ON Electronics

Largest Supplier of Electrical and Electronic Components

Click to view similar products for [Modular Connectors / Ethernet Connectors](#) category:

Click to view products by [Phoenix Contact](#) manufacturer:

Other Similar products are found below :

[8949-H88/06BLKA/SN](#) [74441-0010/BKN](#) [MP1010RX-1000](#) [MP44RX-1000](#) [PHP-6P6C-5](#) [GAX-3-66](#) [GAX-8-62](#) [GDCX-PA-66-50](#) [GDCX-PN-64](#) [GDCX-PN-66](#) [GDCX-PN-66-50](#) [GDLX-A-66](#) [GDLX-N-66](#) [GDLX-S-66](#) [GDLX-S-88K](#) [GDTX-S-88-50](#) [GDX-PA-1010](#) [GLX-N-1010M-BLK](#) [GLX-S-88M-BLK](#) [GMX-N-1010](#) [GMX-S-1010](#) [GMX-S-66](#) [GMX-SMT4-N-88](#) [GPX-2-64](#) [GSGX-N-2-88](#) [GSGX-N-4-88](#) [GSX-NS2-88-3.05](#) [GSX-NS2-88-3.05-50](#) [GSX-NS-88-3.05-50](#) [PT-108A-8C-UL](#) [PT-J951-8C](#) [PTS-J531-8CS-50UL](#) [1-1775629-2](#) [A-2014-0-4](#) [GWLX-S-88-GR](#) [GWLX-S9-88-YG](#) [DC-1021-8-WH-6](#) [1300530003](#) [1324640-4](#) [RJ11FTVC2G](#) [RJ11FTVC2N](#) [RJFTVX2SA1G](#) [132764-001](#) [1413235](#) [MP88X-1000](#) [MPS88RX-5000](#) [E5288-S000K3-L](#) [E5908-15A242-L](#) [155302-001](#) [AX100653](#)