

RJ45 connector - CUC-V06-C1PGY-S/R4CE8:10 - 1414405


Please be informed that the data shown in this PDF Document is generated from our Online Catalog. Please find the complete data in the user's documentation. Our General Terms of Use for Downloads are valid (<http://phoenixcontact.com/download>)



RJ45 connector, degree of protection: IP67, number of positions: 8, 1 Gbps, CAT6, material: PA, connection method: Crimp connection, connection cross section: AWG 24- 27, cable outlet: straight, color: gray



Key Commercial Data

Packing unit	10 pc
Minimum order quantity	10 pc
GTIN	 4 055626 028262
GTIN	4055626028262

Technical data

Mechanical characteristics

Connection method	Crimp connection
Minimum external conductor diameter	5 mm
Maximum external conductor diameter	8.5 mm
Overvoltage category	I
AWG solid min.	24
AWG solid max.	27
Degree of pollution	2
Cable outlet	straight
No. of cable outlets	1
Conductor cross section	0.1 mm ² ... 0.2 mm ² (flexible)
Weight	17.757 g
Flammability rating according to UL 94	V0

Ambient conditions

Ambient temperature (operation)	-25 °C ... 60 °C
---------------------------------	------------------

Material data

Contact surface material	Gold
--------------------------	------

RJ45 connector - CUC-V06-C1PGY-S/R4CE8:10 - 1414405

Technical data

Material data

Contact material	Phosphor bronze
Contact carrier material	PC
Cable gland material	PA 6.6
Seal material	TPE
Housing material	PA
Seal material, O-ring	NBR
Seal material	TPE
Width	38.4 mm
Height	53 mm
Length	19.9 mm

Electrical characteristics

Number of positions	8
Nominal voltage U_N	72 V (DC)
Nominal current I_N	1.75 A
Transmission characteristics (category)	CAT6
GRP transmission properties	CAT6 CAT6
Transmission speed	1 Gbps (250 MHz)
Frequency range	to 250 MHz
Rated current	1 A
Overvoltage category	I
Degree of pollution	2
Rated voltage (III/3)	72 V (DC)

Standards and Regulations

Flammability rating according to UL 94	V0
--	----

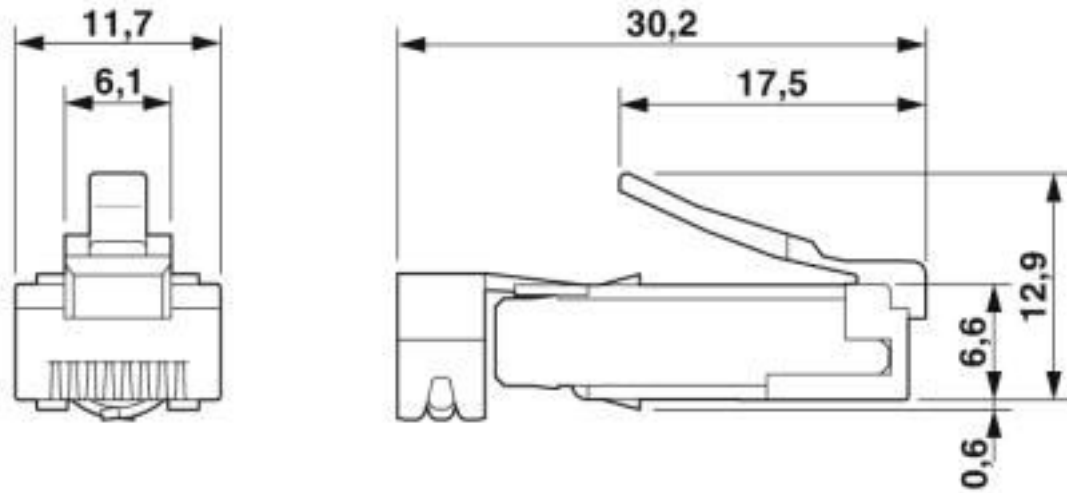
Environmental Product Compliance

China RoHS	Environmentally friendly use period: unlimited = EFUP-e
	No hazardous substances above threshold values

Drawings

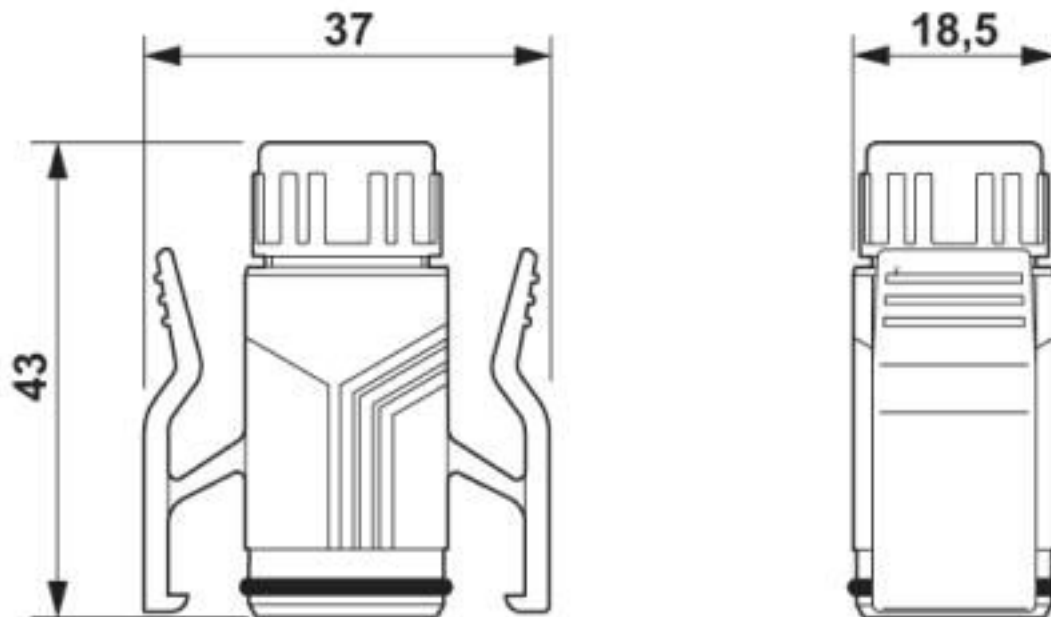
RJ45 connector - CUC-V06-C1PGY-S/R4CE8:10 - 1414405

Dimensional drawing



RJ45 male insert

Dimensional drawing



RJ45 sleeve housing IP67

Classifications

eCl@ss

eCl@ss 10.0.1	27440101
eCl@ss 4.0	27260700
eCl@ss 4.1	27260700

RJ45 connector - CUC-V06-C1PGY-S/R4CE8:10 - 1414405

Classifications

eCl@ss

eCl@ss 5.0	27260700
eCl@ss 5.1	27260700
eCl@ss 6.0	27260700
eCl@ss 7.0	27440101
eCl@ss 8.0	27440101
eCl@ss 9.0	27440101

ETIM

ETIM 5.0	EC002636
ETIM 6.0	EC002636
ETIM 7.0	EC002636

UNSPSC

UNSPSC 13.2	39121409
UNSPSC 18.0	39121409
UNSPSC 19.0	39121409
UNSPSC 20.0	39121409
UNSPSC 21.0	39121409

Approvals

Approvals

Approvals

EAC

Ex Approvals

Approval details

EAC		B.01687
-----	--	---------

Accessories

Accessories

Crimping tool

RJ45 connector - CUC-V06-C1PGY-S/R4CE8:10 - 1414405

Accessories

Crimping pliers - VS-CT-RJ45-H - 1653265



Crimp tool, pliers with die, for RJ45 pin inserts VS-08-ST-H...-RJ45 and VS-08-RJ45-10G/C

Phoenix Contact 2020 © - all rights reserved
<http://www.phoenixcontact.com>

PHOENIX CONTACT GmbH & Co. KG
Flachsmarktstr. 8
32825 Blomberg
Germany
Tel. +49 5235 300
Fax +49 5235 3 41200
<http://www.phoenixcontact.com>

X-ON Electronics

Largest Supplier of Electrical and Electronic Components

Click to view similar products for [Modular Connectors / Ethernet Connectors](#) category:

Click to view products by [Phoenix Contact](#) manufacturer:

Other Similar products are found below :

[8949-H88/06BLKA/SN](#) [74441-0010/BKN](#) [MP1010RX-1000](#) [MP44RX-1000](#) [PHP-6P6C-5](#) [GAX-3-66](#) [GAX-8-62](#) [GDCX-PA-66-50](#) [GDCX-PN-64](#) [GDCX-PN-66](#) [GDCX-PN-66-50](#) [GDLX-A-66](#) [GDLX-N-66](#) [GDLX-S-66](#) [GDLX-S-88K](#) [GDTX-S-88-50](#) [GDX-PA-1010](#) [GLX-N-1010M-BLK](#) [GLX-S-88M-BLK](#) [GMX-N-1010](#) [GMX-S-1010](#) [GMX-S-66](#) [GMX-SMT4-N-88](#) [GPX-2-64](#) [GSGX-N-2-88](#) [GSGX-N-4-88](#) [GSX-NS2-88-3.05](#) [GSX-NS2-88-3.05-50](#) [GSX-NS-88-3.05-50](#) [PT-108A-8C-UL](#) [PT-J951-8C](#) [PTS-J531-8CS-50UL](#) [1-1775629-2](#) [A-2014-0-4](#) [GWLX-S-88-GR](#) [GWLX-S9-88-YG](#) [DC-1021-8-WH-6](#) [1300530003](#) [1324640-4](#) [RJ11FTVC2G](#) [RJ11FTVC2N](#) [RJFTVX2SA1G](#) [132764-001](#) [1413235](#) [MP88X-1000](#) [MPS88RX-5000](#) [E5288-S000K3-L](#) [E5908-15A242-L](#) [155302-001](#) [AX100653](#)