

Panel feed-through - QPD W 2PE1,5 4-9 M20 0,5 BK - 1414684

Please be informed that the data shown in this PDF Document is generated from our Online Catalog. Please find the complete data in the user's documentation. Our General Terms of Use for Downloads are valid (<http://phoenixcontact.com/download>)




Panel feed-through, QUICKON connection, number of positions: 2+PE, 0.5 mm² ... 1.5 mm², 690 V, 17.5 A, black, with QUICKON nut, cable diameter range: 5 mm ... 9.5 mm, assembly thread: M20, Single wires, 1.5 mm², cable length: 0.5 m

Your advantages

- ✓ Innovative and time saving - QUICKON fast connection for time saving of up to 80 % for on-site connection
- ✓ Convenient: quick and easy assembly without special tools
- ✓ Robust throughout: housing with IP68/IP69K and IK07 protection for a wide range of applications
- ✓ Safer connection thanks to polarization against mismatching and touch-proof protection according to DIN EN 0105
- ✓ Efficient - by using panel feed-throughs, devices no longer need to be opened in order to connect cables

Key Commercial Data

Packing unit	1 pc
GTIN	 4 055626 031378
GTIN	4055626031378

Technical data

General

Type	QPD 3x1,5
Length of cable	0.5 m
Color	black
Locking type	Screw locking
Connection method	QUICKON connection IDC connection
Number of positions	3
Note number of positions	2+PE
Tightening torque, union nut	8 Nm
Tightening torque, counter nut	5 Nm
Number of connections	10

Panel feed-through - QPD W 2PE1,5 4-9 M20 0,5 BK - 1414684

Technical data

General

Conductor cross section flexible min.	0.5 mm ²
Conductor cross section flexible max.	1.5 mm ²
Conductor cross section solid min.	0.5 mm ²
Conductor cross section solid max.	1.5 mm ²
Conductor cross section AWG min.	20
Conductor cross section AWG max.	16

Cabel

Structure of individual litz in acc. with VDE 0295 / smallest wire diameter	VDE 0295 class 1 to 6/min. 0.15 mm
Wire insulation material	PVC/PE/TPE/rubber
Wire diameter including insulation	1.6 mm ... 3 mm
External cable diameter	5 mm ... 9.5 mm
Conductor cross section	1.5 mm ²
Wire colors	brown, blue, green/yellow
Position marking	1, 2, PE

Ambient conditions

Degree of protection	IP66
	IP68 (2 m / 24 h)
	IP69K
Ambient temperature (operation)	-40 °C ... 100 °C
Ambient temperature (storage/transport)	-40 °C ... 100 °C
Temperature when conductor connected	-5 °C ... 50 °C

Electrical characteristics

Nominal current I _N	17.5 A
Nominal voltage U _N	690 V AC
	690 V DC
Rated current	17.5 A
Rated voltage (III/3)	690 V
Rated voltage (III/2)	1000 V
Rated voltage (II/2)	1000 V
Rated surge voltage (III/3)	6 kV
Rated surge voltage (III/2)	8 kV
Rated surge voltage (II/2)	8 kV

Mechanical characteristics

QUICKON connectability	max. 10
Category of shock impact	IK07

Material data

Contact material	Cu
Contact surface material	silver-plated

Panel feed-through - QPD W 2PE1,5 4-9 M20 0,5 BK - 1414684

Technical data

Material data

Contact carrier material	PA
Insulating material	PA
Flammability rating according to UL 94	V0
Overvoltage category	III
Degree of pollution	3

Standards and Regulations

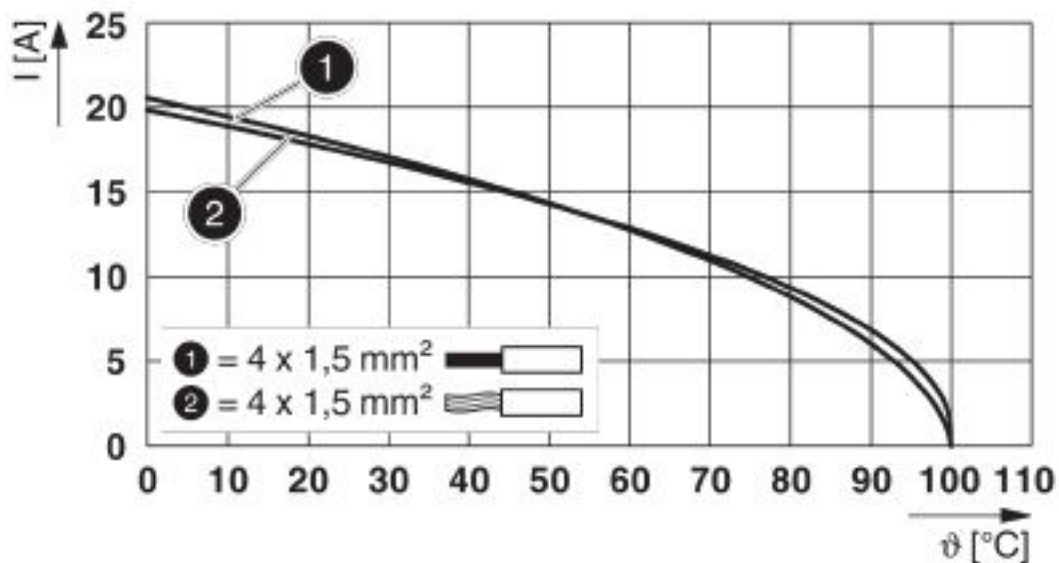
Category of shock impact	IK07
Flammability rating according to UL 94	V0

Environmental Product Compliance

China RoHS	Environmentally Friendly Use Period = 50 years
	For details about hazardous substances go to tab "Downloads", Category "Manufacturer's declaration"

Drawings

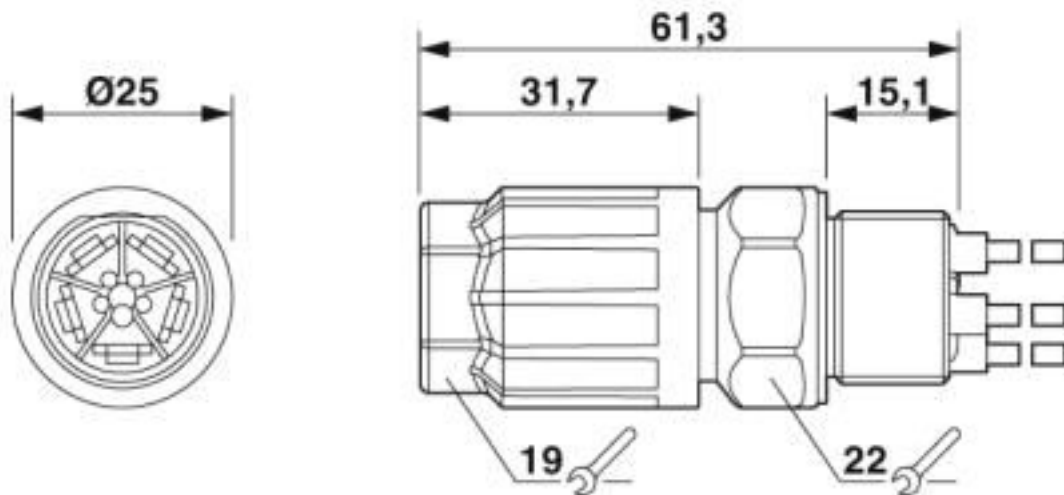
Diagram



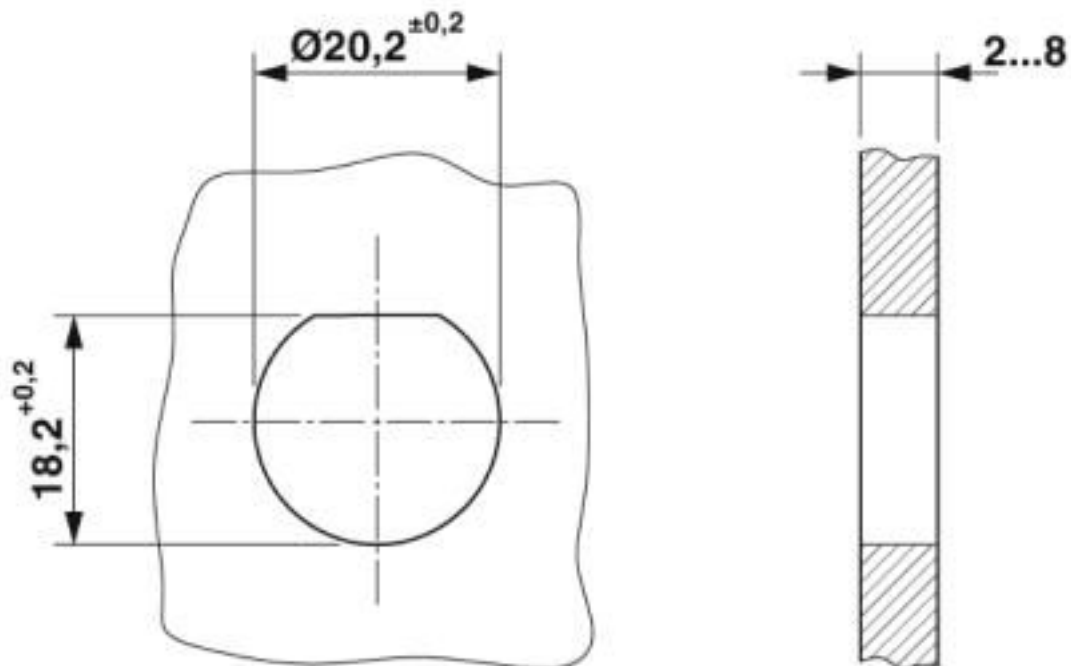
Derating diagram

Panel feed-through - QPD W 2PE1,5 4-9 M20 0,5 BK - 1414684

Dimensional drawing



Dimensional drawing



Housing cutout

Classifications

eCl@ss

eCl@ss 10.0.1	27440602
eCl@ss 4.0	27141200
eCl@ss 4.1	27141200

Panel feed-through - QPD W 2PE1,5 4-9 M20 0,5 BK - 1414684

Classifications

eCl@ss

eCl@ss 5.0	27149100
eCl@ss 5.1	27149100
eCl@ss 6.0	27149100
eCl@ss 7.0	27440602
eCl@ss 8.0	27440602
eCl@ss 9.0	27440602

ETIM

ETIM 5.0	EC002566
ETIM 6.0	EC002566
ETIM 7.0	EC002566

UNSPSC

UNSPSC 13.2	39121413
UNSPSC 18.0	39121522
UNSPSC 19.0	39121522
UNSPSC 20.0	39121522
UNSPSC 21.0	39121522

Approvals

Approvals

Approvals

EAC / EAC / DNV GL / IECCEB Scheme / UL Listed / cUL Listed / VDE Zeichengenehmigung / cULus Listed

Ex Approvals

Approval details

EAC		RU C- DE.AI30.B.01102
-----	--	--------------------------

EAC		RU C- DE.BL08.B.00511
-----	--	--------------------------

Panel feed-through - QPD W 2PE1,5 4-9 M20 0,5 BK - 1414684

Approvals

DNV GL		https://approvalfinder.dnvgl.com/	TAE00003J5
--------	--	---	------------

IECEE CB Scheme		http://www.iecee.org/	DE1-61559
-----------------	--	---	-----------

UL Listed		http://database.ul.com/cgi-bin/XYV/template/LISEXT/1FRAME/index.htm	E468743
Nominal voltage UN		600 V	
Nominal current IN		8 A	
mm ² /AWG/kcmil		16	

cUL Listed		http://database.ul.com/cgi-bin/XYV/template/LISEXT/1FRAME/index.htm	E468743
Nominal voltage UN		600 V	
Nominal current IN		8 A	
mm ² /AWG/kcmil		16	

VDE Zeichengenehmigung		http://www2.vde.com/de/Institut/Online-Service/VDE-gepruefteProdukte/Seiten/Online-Suche.aspx	40029149
Nominal voltage UN		690 V	
Nominal current IN		17.5 A	
mm ² /AWG/kcmil		0.5-1.5	

cULus Listed			
--------------	--	--	--

Accessories

Accessories

Coding element

Panel feed-through - QPD W 2PE1,5 4-9 M20 0,5 BK - 1414684

Accessories

Coding profile - CP-QPD 3/4X1,5 - 1414729



Coding profile red, for pushing into the QUICKON dome and connector, can be positioned in 90° steps.

Protective cap

Protective cap - QPD QSK BK 3/4X1,5 FS - 1414722



Protective cap, plastic, for QUICKON connection, black, with retaining cord, IP68

Protective cap - QPD QSK 3/4X1,5 - 1414723



Protective cap plastic, for QPD-QUICKON connection 3(4) x 1.5 mm², IP50

Sealing plugs

Closing cap - SEALING PLUG 7X16 RD - 1400255



Closing cap, material: PA, color: red

Flat nut - Q-MU-M20 BK - 1586099



Flat nut, color: black

Phoenix Contact 2020 © - all rights reserved
<http://www.phoenixcontact.com>

PHOENIX CONTACT GmbH & Co. KG
Flachmarktstr. 8
32825 Blomberg
Germany
Tel. +49 5235 300
Fax +49 5235 3 41200
<http://www.phoenixcontact.com>

X-ON Electronics

Largest Supplier of Electrical and Electronic Components

Click to view similar products for [Sensor Cables / Actuator Cables](#) category:

Click to view products by [Phoenix Contact](#) manufacturer:

Other Similar products are found below :

[60963](#) [60964](#) [703000D02F2002](#) [703001D02F0602](#) [703001D02F300](#) [704000D02F120](#) [773032K02F030](#) [802027107404-1](#) [802027213811-1](#)
[804001A09M150](#) [805001A09M0502](#) [84914-0235](#) [84914-0237](#) [885030A09M020](#) [8R4J30E03C3003](#) [1200651332](#) [1200651713](#) [1200660844](#)
[1200660845](#) [1200661173](#) [1200680071](#) [1200720053](#) [1200720081](#) [1200720099](#) [1200720217](#) [1200800231](#) [1200860125](#) [1200870123](#)
[1200980102](#) [1200650267](#) [1200650298](#) [1200660183](#) [1200660782](#) [1200660849](#) [1200661295](#) [1200661297](#) [1200661342](#) [1200661343](#)
[1200670080](#) [1200670220](#) [1200680331](#) [1200720252](#) [1200730184](#) [1200860344](#) [1200870359](#) [1200870643](#) [1200980008](#) [1200980031](#)
[1210502211](#) [1210400542](#)