

Connector - QPD P 4PE1,5 9-14 BK - 1414750

Please be informed that the data shown in this PDF Document is generated from our Online Catalog. Please find the complete data in the user's documentation. Our General Terms of Use for Downloads are valid (<http://phoenixcontact.com/download>)




Connector, QUICKON connection, number of positions: 4+PE, 0.5 mm² ... 1.5 mm², 690 V, 17.5 A, black, with QUICKON nut, cable diameter range: 10 mm ... 14 mm

Your advantages

- ✓ Innovative and time saving - QUICKON fast connection for time saving of up to 80 % for on-site connection
- ✓ Convenient: quick and easy assembly without special tools
- ✓ Robust throughout: housing with IP68/IP69K and IK07 protection for a wide range of applications
- ✓ Safer connection thanks to polarization against mismatching and touch-proof protection according to DIN EN 0105
- ✓ Easy maintenance - the connectors enable fast device replacement and simplify startup thanks to pre-assembled cables

Key Commercial Data

| | |
|--------------|---------------------------------------------------------------------------------------------------------|
| Packing unit | 1 pc |
| GTIN |  4 055626 033594 |
| GTIN | 4055626033594 |

Technical data

General

| | |
|---------------------------------------|--------------------------------------|
| Type | QPD 5x1,5 |
| Color | black |
| Locking type | Screw locking |
| Connection method | QUICKON connection IDC connection |
| Number of positions | 5 |
| Note number of positions | 4+PE |
| Tightening torque, union nut | 8 Nm |
| Tightening torque, counter nut | 5 Nm |
| Number of connections | 5 |
| Conductor cross section flexible min. | 0.5 mm ² |

Connector - QPD P 4PE1,5 9-14 BK - 1414750

Technical data

General

| | |
|---------------------------------------|---------------------|
| Conductor cross section flexible max. | 1.5 mm ² |
| Conductor cross section solid min. | 0.5 mm ² |
| Conductor cross section solid max. | 1.5 mm ² |
| Conductor cross section AWG min. | 20 |
| Conductor cross section AWG max. | 16 |

Cabel

| | |
|-----------------------------------------------------------------------------|------------------------------------|
| Structure of individual litz in acc. with VDE 0295 / smallest wire diameter | VDE 0295 class 1 to 6/min. 0.15 mm |
| Wire insulation material | PVC/PE/TPE/rubber |
| Wire diameter including insulation | 1.6 mm ... 3 mm |
| External cable diameter | 10 mm ... 14 mm |
| Position marking | 1, 2, 3, N, PE |

Ambient conditions

| | |
|-----------------------------------------|-------------------|
| Degree of protection | IP66 |
| | IP68 (2 m / 24 h) |
| | IP69K |
| Ambient temperature (operation) | -40 °C ... 100 °C |
| Ambient temperature (storage/transport) | -40 °C ... 100 °C |
| Temperature when conductor connected | -5 °C ... 50 °C |

Electrical characteristics

| | |
|--------------------------------|----------|
| Nominal current I _N | 17.5 A |
| Nominal voltage U _N | 690 V AC |
| | 690 V DC |
| Rated current | 17.5 A |
| Rated voltage (III/3) | 690 V |
| Rated voltage (III/2) | 1000 V |
| Rated voltage (II/2) | 1000 V |
| Rated surge voltage (III/3) | 6 kV |
| Rated surge voltage (III/2) | 8 kV |
| Rated surge voltage (II/2) | 8 kV |

Mechanical characteristics

| | |
|-----------------------------|---------|
| QUICKON connectability | max. 10 |
| Insertion/withdrawal cycles | > 50 |
| Category of shock impact | IK07 |

Material data

| | |
|--------------------------|---------------|
| Contact material | Cu |
| Contact surface material | silver-plated |
| Contact carrier material | PA |
| Insulating material | PA |

Connector - QPD P 4PE1,5 9-14 BK - 1414750

Technical data

Material data

| | |
|----------------------------------------|-----|
| Flammability rating according to UL 94 | V0 |
| Overvoltage category | III |
| Degree of pollution | 3 |

Standards and Regulations

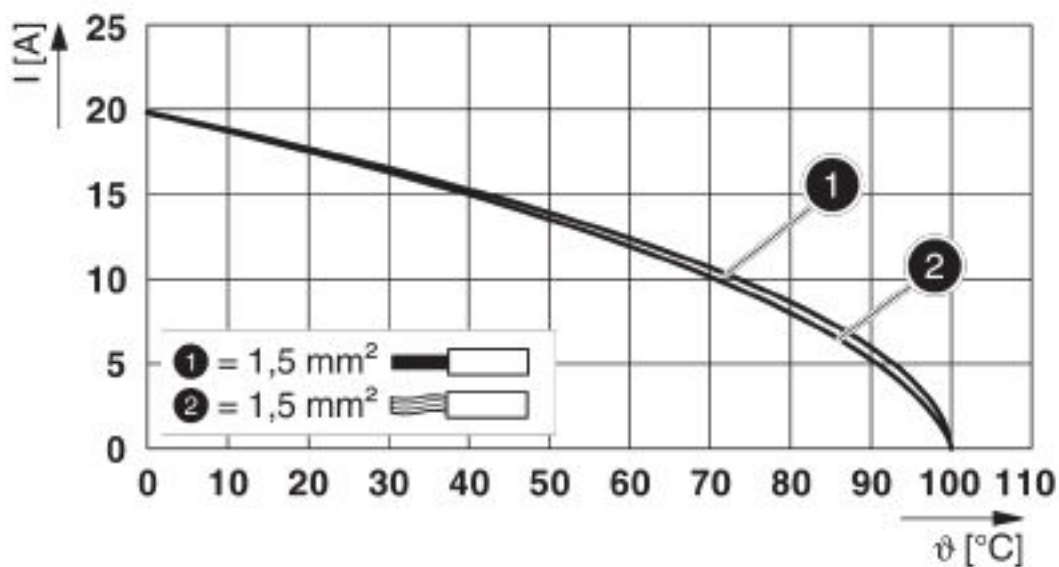
| | |
|----------------------------------------|------|
| Category of shock impact | IK07 |
| Flammability rating according to UL 94 | V0 |

Environmental Product Compliance

| | |
|------------|-----------------------------------------------------------------------------------------------------|
| China RoHS | Environmentally Friendly Use Period = 50 years |
| | For details about hazardous substances go to tab "Downloads", Category "Manufacturer's declaration" |

Drawings

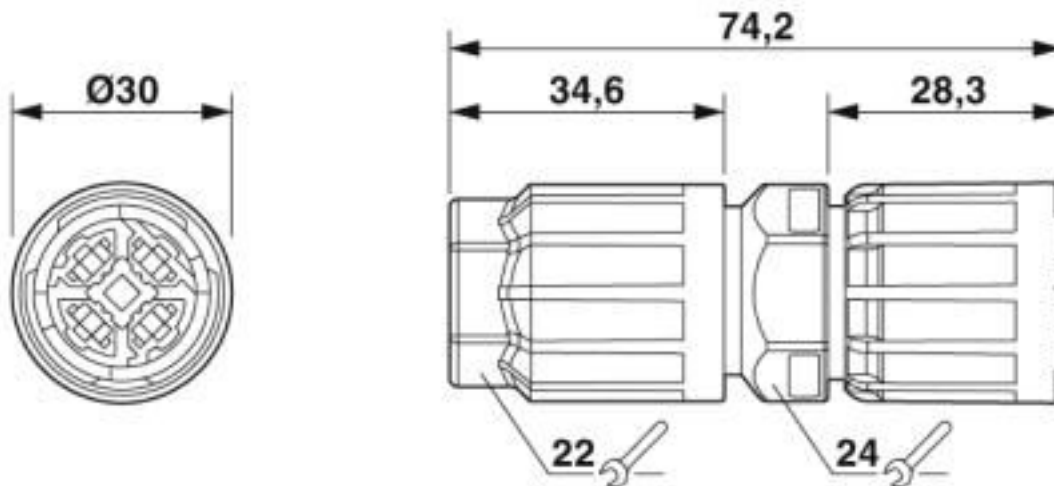
Diagram



Derating diagram

Connector - QPD P 4PE1,5 9-14 BK - 1414750

Dimensional drawing



Classifications

eCl@ss

| | |
|---------------|----------|
| eCl@ss 10.0.1 | 27440605 |
| eCl@ss 4.0 | 27140800 |
| eCl@ss 4.1 | 27140800 |
| eCl@ss 5.0 | 27143400 |
| eCl@ss 5.1 | 27143400 |
| eCl@ss 6.0 | 27143400 |
| eCl@ss 7.0 | 27440605 |
| eCl@ss 8.0 | 27440605 |
| eCl@ss 9.0 | 27440605 |

ETIM

| | |
|----------|----------|
| ETIM 5.0 | EC002560 |
| ETIM 6.0 | EC002560 |
| ETIM 7.0 | EC002560 |

UNSPSC

| | |
|-------------|----------|
| UNSPSC 13.2 | 39121522 |
| UNSPSC 18.0 | 39121402 |
| UNSPSC 19.0 | 39121402 |
| UNSPSC 20.0 | 39121402 |
| UNSPSC 21.0 | 39121402 |

Approvals

Approvals

Connector - QPD P 4PE1,5 9-14 BK - 1414750

Approvals

Approvals

EAC / EAC / DNV GL / IECEE CB Scheme / VDE Zeichengenehmigung

Ex Approvals

Approval details

| | | |
|-----|--|--------------------------|
| EAC | | RU C- DE.AI30.B.01102 |
|-----|--|--------------------------|

| | | |
|-----|--|--------------------------|
| EAC | | RU C- DE.BL08.B.00511 |
|-----|--|--------------------------|

| | | | |
|--------|--|-----------------------------------------------------------------------------------|------------|
| DNV GL | | https://approvalfinder.dnvgl.com/ | TAE00003J5 |
|--------|--|-----------------------------------------------------------------------------------|------------|

| | | | |
|-----------------|--|-----------------------------------------------------------|-----------|
| IECEE CB Scheme | | http://www.iecee.org/ | DE1-61559 |
|-----------------|--|-----------------------------------------------------------|-----------|

| | | | |
|------------------------|--|-----------------------------------------------------------------------------------------------------------------------------------------------------------------------------------------------------------|----------|
| VDE Zeichengenehmigung | | http://www2.vde.com/de/Institut/Online-Service/VDE-gepruefteProdukte/Seiten/Online-Suche.aspx | 40029149 |
|------------------------|--|-----------------------------------------------------------------------------------------------------------------------------------------------------------------------------------------------------------|----------|

| | |
|----------------------------|---------|
| Nominal voltage UN | 690 V |
| Nominal current IN | 17.5 A |
| mm ² /AWG/kcmil | 0.5-1.5 |

Accessories

Accessories

Coding element

Coding profile - CP-QPD 5X1,5 - 1414760



Coding profile red, for pushing into the QUICKON dome and connector, can be positioned in 90° steps.

Connector - QPD P 4PE1,5 9-14 BK - 1414750

Accessories

Protective cap

Protective cap - QPD PSK 5X1,5 - 1414759



Protective cap plastic, for 5x 1.5 mm² QPD connector, IP50.

Sealing plugs

Closing cap - SEALING PLUG 10X16 RD - 1400284



Closing cap, material: PA, for threads pluggable, color: red

Socket spanner

Socket wrench - QSS 22 - 1670206



Allen wrench, for loosening and fastening the QUICKON union nut, WAF 22 mm

Phoenix Contact 2020 © - all rights reserved
<http://www.phoenixcontact.com>

PHOENIX CONTACT GmbH & Co. KG
Flachsmarktstr. 8
32825 Blomberg
Germany
Tel. +49 5235 300
Fax +49 5235 3 41200
<http://www.phoenixcontact.com>

X-ON Electronics

Largest Supplier of Electrical and Electronic Components

Click to view similar products for [Circular Metric Connectors](#) category:

Click to view products by [Phoenix Contact](#) manufacturer:

Other Similar products are found below :

[600X518037X](#) [6STD15PCR99B70A](#) [8R4000A16M020](#) [8R5000A16M005](#) [1200910002](#) [1203580030](#) [1200910008](#) [1200910011](#) [1300140094](#)
[130203-0054](#) [1300140026](#) [1300150099](#) [RF-12S1N8A90DU](#) [1-3637-600-5205](#) [1612618](#) [21036836414](#) [8R4006A16M010](#) [1604232](#)
[1R3006A20M005](#) [RF-12P1N8A90DU](#) [41-40011](#) [42-00006](#) [42-01015](#) [4-22279-4](#) [4-22281-1](#) [4-22284-9](#) [43-00113](#) [43-01088](#) [43-01203](#) [41-](#)
[40013](#) [42-00008](#) [43-00343](#) [43-01026](#) [43-01162](#) [43-01173](#) [43-10000](#) [XS3P-M421-2](#) [600X518050X](#) [SACC-DSI-FS-5P-PG9-L180 SC](#)
[8R5006A16M020](#) [8R5006A16M005](#) [8R4000A16M010](#) [6-22279-3](#) [1605332](#) [N03FA03144](#) [1300140077](#) [43-16213](#) [43-01338](#) [XS2RD4265](#)
[XS2R-D426-1](#)