

## T distributor - QPD T 4PE1,5 3X9-14 BK - 1414754

Please be informed that the data shown in this PDF Document is generated from our Online Catalog. Please find the complete data in the user's documentation. Our General Terms of Use for Downloads are valid (<http://phoenixcontact.com/download>)



T distributor, QUICKON connection, number of positions: 4+PE, 0.5 mm<sup>2</sup> ... 1.5 mm<sup>2</sup>, 690 V, 17.5 A, black, With three QUICKON nuts, cable diameter range: 10 mm ... 14 mm

### Your advantages

- Innovative and time saving - QUICKON fast connection for time saving of up to 80 % for on-site connection
- Convenient: quick and easy assembly without special tools
- Robust throughout: housing with IP68/IP69K and IK07 protection for a wide range of applications
- Safer connection thanks to polarization against mismatching and touch-proof protection according to DIN EN 0105
- Flexible and compact - by connecting connections internally, H and T-distributors can be used to branch master cables or they can be used as star distributors

### Key Commercial Data

|              |               |
|--------------|---------------|
| Packing unit | 1 pc          |
| GTIN         |               |
| GTIN         | 4055626033631 |

### Technical data

#### General

|                                       |                     |
|---------------------------------------|---------------------|
| Type                                  | T-distributor       |
| Color                                 | black               |
| Locking type                          | Screw locking       |
| Connection method                     | QUICKON connection  |
|                                       | IDC connection      |
| Number of positions                   | 5                   |
| Note number of positions              | 4+PE                |
| Tightening torque, union nut          | 8 Nm                |
| Tightening torque, counter nut        | 5 Nm                |
| Number of connections                 | 3                   |
| Conductor cross section flexible min. | 0.5 mm <sup>2</sup> |

# T distributor - QPD T 4PE1,5 3X9-14 BK - 1414754

## Technical data

### General

|                                       |                     |
|---------------------------------------|---------------------|
| Conductor cross section flexible max. | 1.5 mm <sup>2</sup> |
| Conductor cross section solid min.    | 0.5 mm <sup>2</sup> |
| Conductor cross section solid max.    | 1.5 mm <sup>2</sup> |
| Conductor cross section AWG min.      | 20                  |
| Conductor cross section AWG max.      | 16                  |

### Cabel

|   |                                    |
|---|------------------------------------|
| Structure of individual litz in acc. with VDE 0295 / smallest wire diameter | VDE 0295 class 1 to 6/min. 0.15 mm |
| Wire insulation material  | PVC/PE/TPE/rubber                  |
| Wire diameter including insulation  | 1.6 mm ... 3 mm                    |
| External cable diameter   | 10 mm ... 14 mm                    |
| Position marking  | 1, 2, 3, N, PE                     |

### Ambient conditions

|   |                   |
|---|-------------------|
| Degree of protection                    | IP66              |
|   | IP68              |
|   | IP69K             |
| Ambient temperature (operation)         | -40 °C ... 100 °C |
| Ambient temperature (storage/transport) | -40 °C ... 100 °C |
| Temperature when conductor connected    | -5 °C ... 50 °C   |

### Electrical characteristics

|                                |          |
|--------------------------------|----------|
| Nominal current I <sub>N</sub> | 17.5 A   |
| Nominal voltage U <sub>N</sub> | 690 V AC |
|                                | 690 V DC |
| Rated current                  | 17.5 A   |
| Rated voltage (III/3)          | 690 V    |
| Rated voltage (III/2)          | 1000 V   |
| Rated voltage (II/2)           | 1000 V   |
| Rated surge voltage (III/3)    | 6 kV     |
| Rated surge voltage (III/2)    | 8 kV     |
| Rated surge voltage (II/2)     | 8 kV     |

### Mechanical characteristics

|                             |                                  |
|-----------------------------|----------------------------------|
| QUICKON connectability      | max. 10                          |
| Insertion/withdrawal cycles | 10 (QUICKON connections max. 10) |
| Category of shock impact    | IK07 (-25 °C)                    |

### Material data

|                          |               |
|--------------------------|---------------|
| Contact material         | Cu            |
| Contact surface material | silver-plated |
| Contact carrier material | PA            |
| Insulating material      | PA            |

# T distributor - QPD T 4PE1,5 3X9-14 BK - 1414754

## Technical data

### Material data

|  |     |
|--|-----|
| Flammability rating according to UL 94 | V0  |
| Overtoltage category                   | III |
| Degree of pollution                    | 3   |

### Standards and Regulations

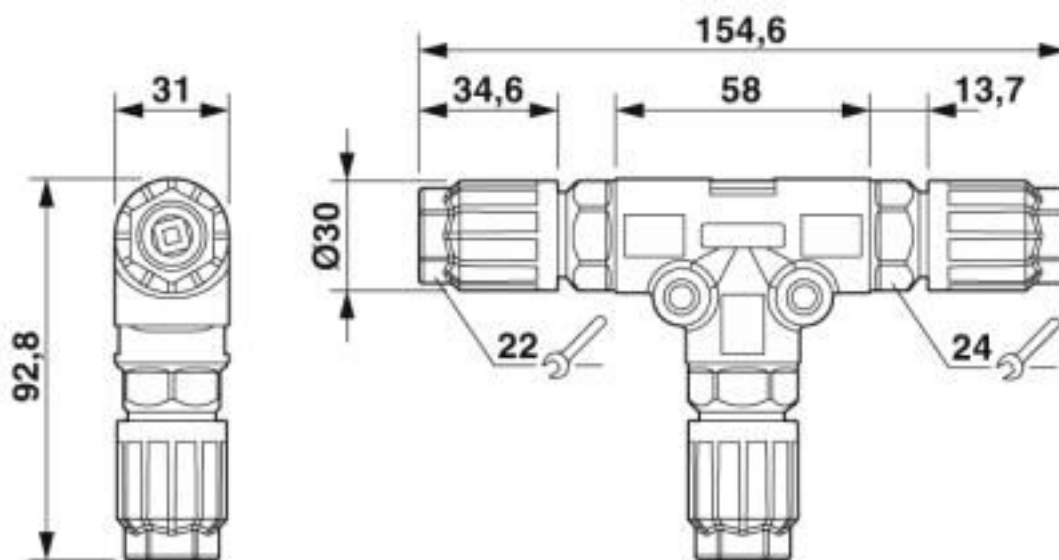
|  |               |
|--|---------------|
| Category of shock impact               | IK07 (-25 °C) |
| Flammability rating according to UL 94 | V0            |

### Environmental Product Compliance

|            |                |
|------------|----------------|
| REACH SVHC | Lead 7439-92-1 |
|------------|----------------|

## Drawings

Dimensional drawing



Dimensional drawing

## Classifications

eCl@ss

|               |          |
|---------------|----------|
| eCl@ss 10.0.1 | 27440603 |
| eCl@ss 4.0    | 27140800 |
| eCl@ss 4.1    | 27140800 |
| eCl@ss 5.0    | 27143400 |
| eCl@ss 5.1    | 27143400 |
| eCl@ss 6.0    | 27143400 |
| eCl@ss 7.0    | 27440603 |
| eCl@ss 8.0    | 27440603 |

# T distributor - QPD T 4PE1,5 3X9-14 BK - 1414754

## Classifications

### eCl@ss

|            |          |
|------------|----------|
| eCl@ss 9.0 | 27440603 |
|------------|----------|

### ETIM

|          |          |
|----------|----------|
| ETIM 5.0 | EC002567 |
| ETIM 6.0 | EC002567 |
| ETIM 7.0 | EC002567 |

### UNSPSC

|             |          |
|-------------|----------|
| UNSPSC 13.2 | 31251501 |
| UNSPSC 18.0 | 39121410 |
| UNSPSC 19.0 | 39121410 |
| UNSPSC 20.0 | 39121410 |
| UNSPSC 21.0 | 39121410 |

## Approvals

### Approvals

#### Approvals

EAC / EAC / DNV GL / IECCEB Scheme / VDE Zeichengenehmigung

#### Ex Approvals

### Approval details

|     |  |                          |
|-----|--|--------------------------|
| EAC |  | RU C-<br>DE.AI30.B.01102 |
|-----|--|--------------------------|

|     |  |                          |
|-----|--|--------------------------|
| EAC |  | RU C-<br>DE.BL08.B.00511 |
|-----|--|--------------------------|

|        |  |   |            |
|--------|--|---|------------|
| DNV GL |  | <a href="https://approvalfinder.dnvgl.com/">https://approvalfinder.dnvgl.com/</a> | TAE00003J5 |
|--------|--|---|------------|

|                 |  |   |           |
|-----------------|--|---|-----------|
| IECEE CB Scheme |  | <a href="http://www.iecee.org/">http://www.iecee.org/</a> | DE1-61559 |
|-----------------|--|---|-----------|

# T distributor - QPD T 4PE1,5 3X9-14 BK - 1414754

## Approvals

|                            |  |   |          |
|----------------------------|--|---|----------|
| VDE Zeichengenehmigung     |  | <a href="http://www2.vde.com/de/Institut/Online-Service/VDE-gepruefteProdukte/Seiten/Online-Suche.aspx">http://www2.vde.com/de/Institut/Online-Service/VDE-gepruefteProdukte/Seiten/Online-Suche.aspx</a> | 40029149 |
| Nominal voltage UN         |  | 690 V   |          |
| Nominal current IN         |  | 17.5 A  |          |
| mm <sup>2</sup> /AWG/kcmil |  | 0.5-1.5   |          |

## Accessories

### Accessories

#### Coding element

Coding profile - CP-QPD 5X1,5 - 1414760



Coding profile red, for pushing into the QUICKON dome and connector, can be positioned in 90° steps.

## Device marking

Engraving material - GPE 13X 9 WH - 0806932



Engraving material, Sheet, white, unlabeled, can be labeled with: PLOTMARK, ENGRAVING UNIT, CMS-P1-PLOTTER, P1 ENGRAVING UNIT, mounting type: adhesive, lettering field size: 13 x 9 mm, Number of individual labels: 120

Plastic label - EMLP (13X9)R - 0819453



Plastic label, Roll, white, unlabeled, can be labeled with: THERMOMARK ROLLMASTER 300/600, THERMOMARK X1.2, THERMOMARK ROLL X1, THERMOMARK ROLL 2.0, THERMOMARK ROLL, mounting type: adhesive, lettering field size: 13 x 9 mm, Number of individual labels: 500

## Protective cap

## T distributor - QPD T 4PE1,5 3X9-14 BK - 1414754

### Accessories

Protective cap - QPD QSK BK 5X1,5 FS - 1414728

Protective cap, plastic, for QUICKON connection, black, with retaining cord, IP68



Protective cap - QPD QSK 5X1,5 - 1414758



Protective cap plastic, for QPD-QUICKON connection 5x 1.5 mm<sup>2</sup>, IP50

### Sealing plugs

Closing cap - SEALING PLUG 10X16 RD - 1400284



Closing cap, material: PA, for threads pluggable, color: red

### Socket spanner

Socket wrench - QSS 22 - 1670206



Allen wrench, for loosening and fastening the QUICKON union nut, WAF 22 mm

## X-ON Electronics

Largest Supplier of Electrical and Electronic Components

*Click to view similar products for [Circular Metric Connectors](#) category:*

*Click to view products by [Phoenix Contact](#) manufacturer:*

Other Similar products are found below :

[600X518037X](#) [6STD15PCR99B70A](#) [8R4000A16M020](#) [8R5000A16M005](#) [1200910002](#) [1203580030](#) [1200910008](#) [1200910011](#) [1300140094](#)  
[130203-0054](#) [1300140026](#) [1300150099](#) [RF-12S1N8A90DU](#) [1-3637-600-5205](#) [1612618](#) [21036836414](#) [8R4006A16M010](#) [1604232](#)  
[1R3006A20M005](#) [RF-12P1N8A90DU](#) [41-40011](#) [42-00006](#) [42-01015](#) [4-22279-4](#) [4-22281-1](#) [4-22284-9](#) [43-00113](#) [43-01088](#) [43-01203](#) [41-](#)  
[40013](#) [42-00008](#) [43-00343](#) [43-01026](#) [43-01162](#) [43-01173](#) [43-10000](#) [XS3P-M421-2](#) [600X518050X](#) [SACC-DSI-FS-5P-PG9-L180 SC](#)  
[8R5006A16M020](#) [8R5006A16M005](#) [8R4000A16M010](#) [6-22279-3](#) [1605332](#) [N03FA03144](#) [1300140077](#) [43-16213](#) [43-01338](#) [XS2RD4265](#)  
[XS2R-D426-1](#)