

Power cable - SAC-5P-M12MRK/ 3,0-PUR PE SH - 1414838

Please be informed that the data shown in this PDF Document is generated from our Online Catalog. Please find the complete data in the user's documentation. Our General Terms of Use for Downloads are valid (<http://phoenixcontact.com/download>)




Power cable, 5-position, PUR halogen-free, orange RAL 2003, shielded (Advanced Shielding Technology), Plug angled M12, coding: K, on free cable end, cable length: 3 m, for AC current up to 16 A/690 V

Your advantages

- ✓ Easy and safe: 100% electrically tested plug-in components
- ✓ High-performance: AC connectors for up to 16 A and 690 V AC
- ✓ Protection against mismatching, thanks to special K-coding
- ✓ Shield power reliably – 360° shielding to reduce electromagnetic loads
- ✓ Our standard: robust halogen-free PUR cable

Key Commercial Data

| | |
|--------------|---|
| Packing unit | 1 pc |
| GTIN |  4 055626 034713 |
| GTIN | 4055626034713 |

Technical data

Dimensions

| | |
|-----------------|-----|
| Length of cable | 3 m |
|-----------------|-----|

Ambient conditions

| | |
|---------------------------------|--|
| Ambient temperature (operation) | -25 °C ... 85 °C (Plug / socket) |
| Degree of protection | IP65 |
| | IP67 (without preloading, as additional test in accordance with IEC 60529) |

General

| | |
|-----------------------|----------|
| Rated current at 40°C | 16 A |
| Rated voltage | 690 V AC |
| Number of positions | 5 |
| Color handle area | black |

Power cable - SAC-5P-M12MRK/ 3,0-PUR PE SH - 1414838

Technical data

General

| | |
|------------------------------|-------------------------------|
| Insulation resistance | ≥ 100 MΩ |
| Coding | K - Power |
| Standards/regulations | M12 connector IEC 61076-2-111 |
| Status display | No |
| Protective circuit/component | unwired |
| Overvoltage category | III |
| Degree of pollution | 3 |
| Insertion/withdrawal cycles | ≥ 100 |
| Torque | 0.4 Nm (M12 connector) |

Material

| | |
|--|------------------------------|
| Flammability rating according to UL 94 | V0 |
| Contact material | CuZn |
| Contact surface material | Ni/Au |
| Contact carrier material | PA |
| Material of grip body | PP |
| Material, knurls | Zinc die-cast, nickel-plated |

Standards and Regulations

| | |
|--|-------------------------------|
| Standards/specifications | M12 connector IEC 61076-2-111 |
| Flammability rating according to UL 94 | V0 |

Cable

| | |
|---|--|
| Cable type | PUR halogen-free orange |
| Cable type (abbreviation) | PUR |
| UL AWM style | 22078 / 11560 (90 °C / 1000 V) |
| Conductor cross section | 5x 2.5 mm ² |
| AWG power supply | 14 |
| Conductor structure, voltage supply | 141x 0.15 mm |
| Core diameter including insulation | 2.8 mm ±0.1 mm |
| Thickness, insulation | ≥ 0.36 mm |
| Wire colors | Black 1, black 2, black 3, black 4, green/yellow |
| External sheath, color | orange RAL 2003 |
| Outer sheath thickness | approx. 1.15 mm |
| External cable diameter D | 10.3 mm ±0.3 mm |
| Minimum bending radius, fixed installation | 5 x D |
| Minimum bending radius, flexible installation | 10 x D |
| Number of bending cycles | 2000000 |
| Minimum bending radius, drag chain applications | 10 x D |
| Traversing path | 10 m |
| Traversing rate | 3 m/s |
| Acceleration | 10 m/s ² |

Power cable - SAC-5P-M12MRK/ 3,0-PUR PE SH - 1414838

Technical data

Cable

| | |
|---------------------------------|---|
| Cable weight | 209 kg/km |
| Outer sheath, material | PUR |
| Material conductor insulation | PP |
| Conductor material | Bare Cu litz wires |
| Insulation resistance | ≥ 1 GΩ*km (at 20 °C) |
| Conductor resistance | ≤ 8 Ω/km (at 20 °C) |
| Nominal voltage, cable | ≤ 1000 V AC |
| Test voltage, cable | ≥ 10000 V AC (Spark test) |
| Flame resistance | According to UL 758/1581 (Cable Flame) |
| | according to UL 758/1581 FT1 |
| | According to DIN EN 60332-1-2 |
| Halogen-free | in accordance with DIN VDE 0472 part 815 |
| | in accordance with DIN EN 50267-2-1 |
| Resistance to oil | according to DIN EN 60811-404, 168 h at 100 °C |
| Other resistance | Hydrolysis and microbe resistant as per VDE 0282 section 10 |
| | Low adhesion |
| | abrasion-resistant |
| | Resistant to salt water |
| Ambient temperature (operation) | -50 °C ... 90 °C (cable, fixed installation) |
| | -30 °C ... 90 °C (cable, flexible installation) |

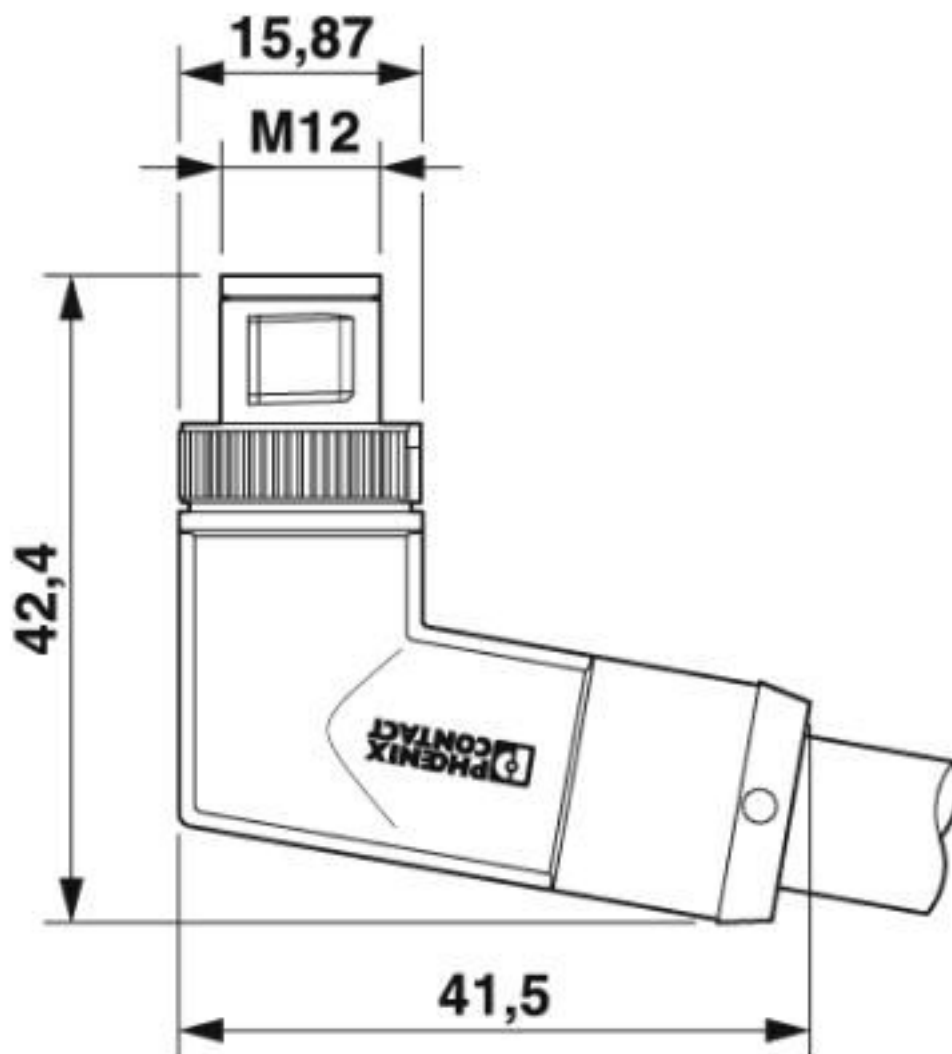
Environmental Product Compliance

| | |
|------------|---|
| REACH SVHC | Lead 7439-92-1 |
| China RoHS | Environmentally Friendly Use Period = 50 years |
| | For details about hazardous substances go to tab "Downloads", Category "Manufacturer's declaration" |

Drawings

Power cable - SAC-5P-M12MRK/ 3,0-PUR PE SH - 1414838

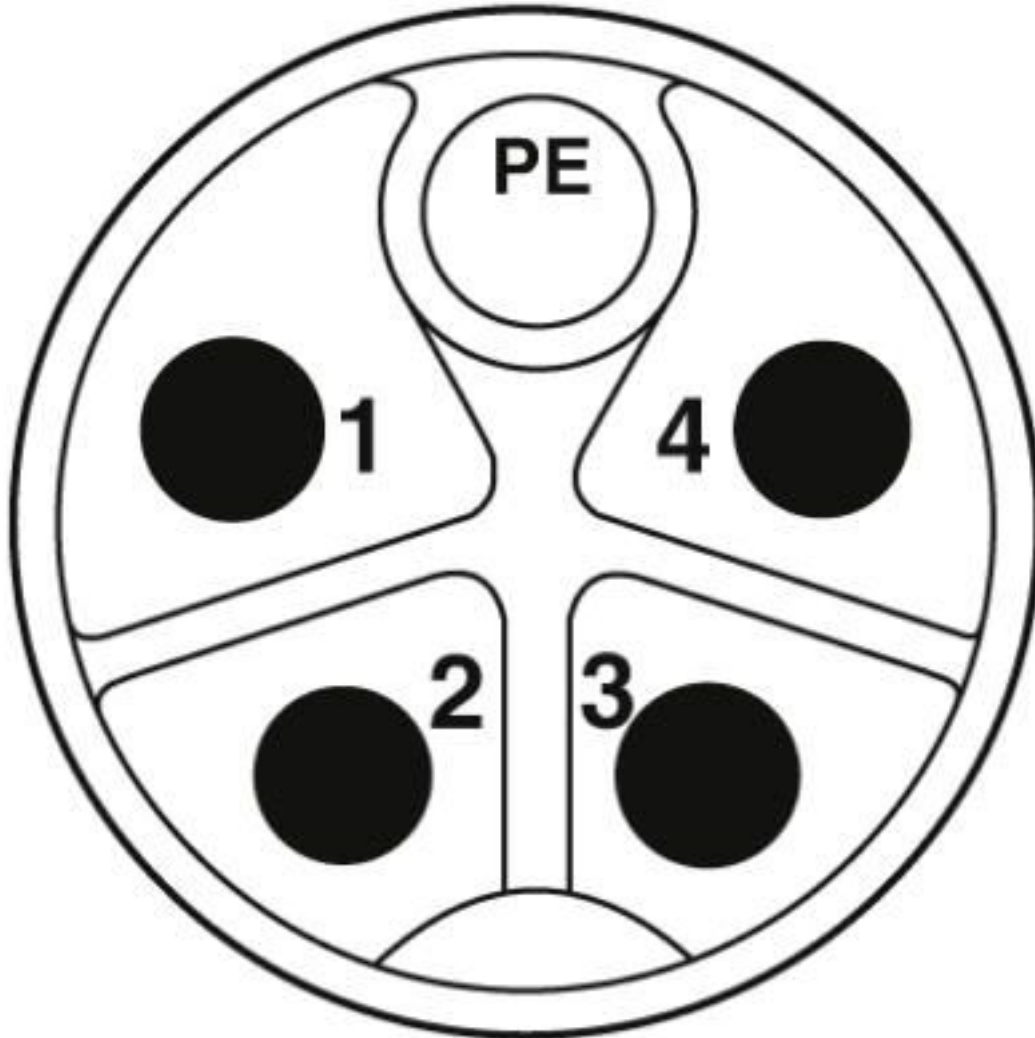
Dimensional drawing



M12 x 1 male plug, angled

Power cable - SAC-5P-M12MRK/ 3,0-PUR PE SH - 1414838

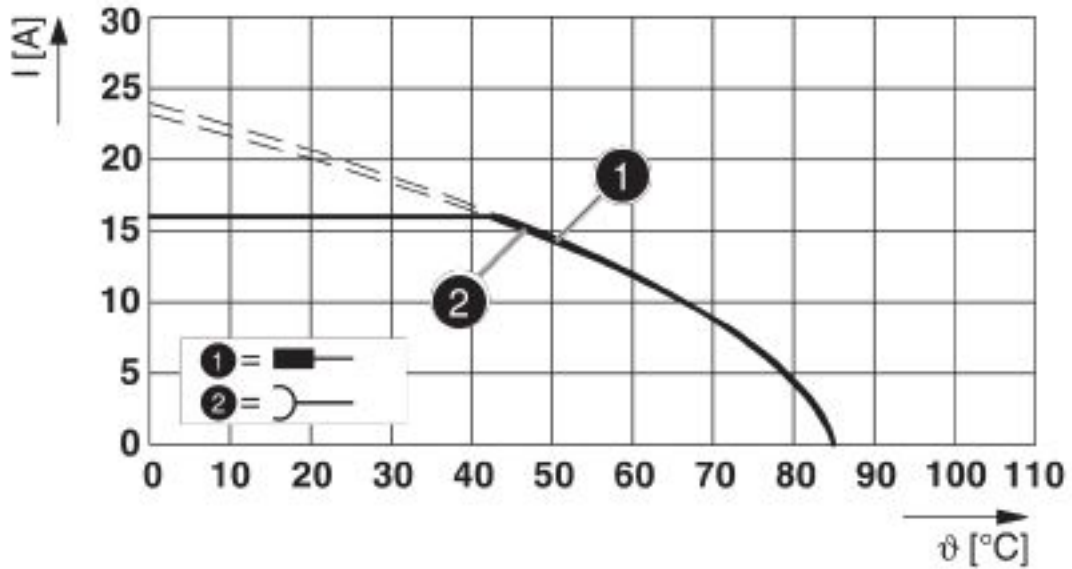
Schematic diagram



Connector pin assignment of M12 plug, 5-pos., K-coded, pin side view

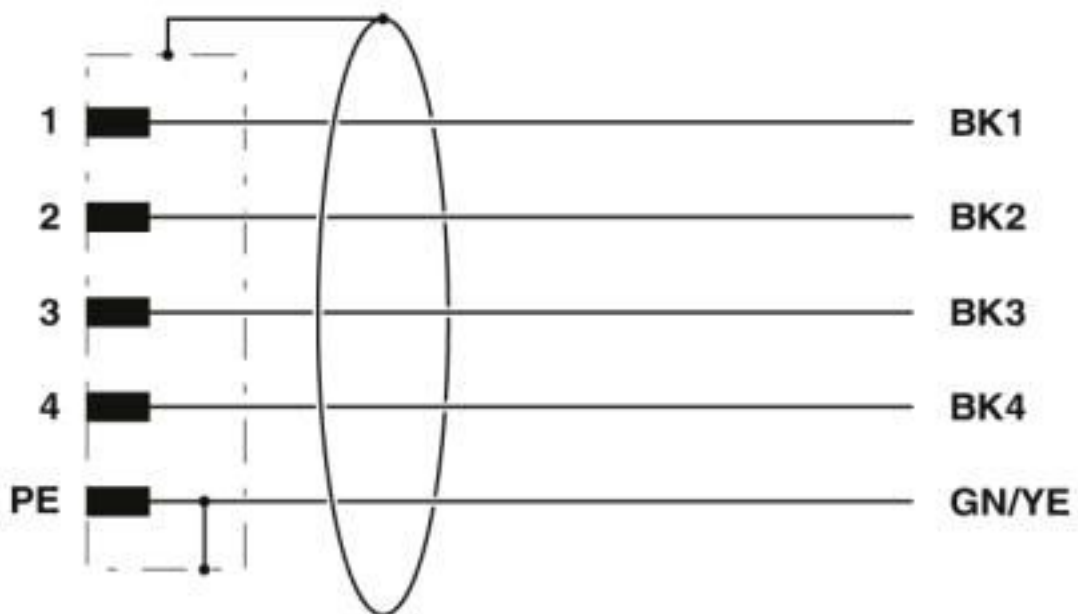
Power cable - SAC-5P-M12MRK/ 3,0-PUR PE SH - 1414838

Diagram



Current carrying capacity

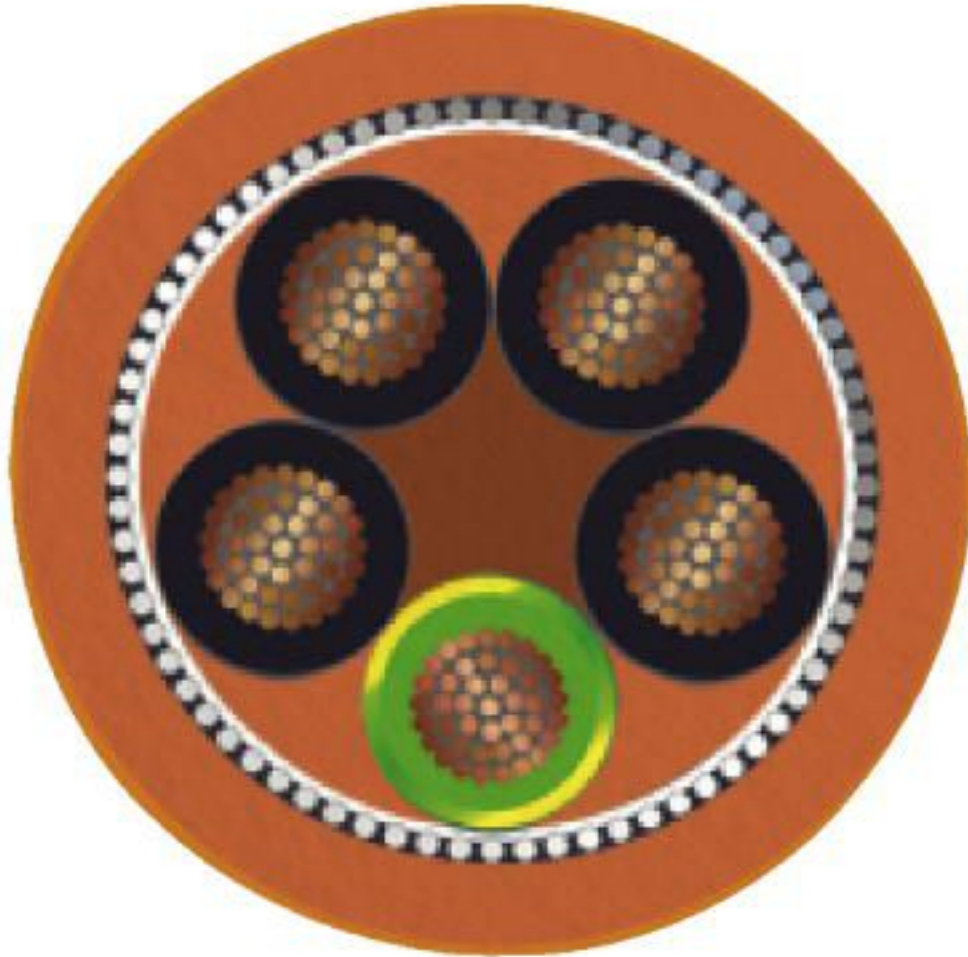
Circuit diagram



Contact assignment of the M12 plug

Power cable - SAC-5P-M12MRK/ 3,0-PUR PE SH - 1414838

Cable cross section



PUR halogen-free orange [PUR]

Classifications

eCl@ss

| | |
|---------------|----------|
| eCl@ss 10.0.1 | 27440203 |
| eCl@ss 4.0 | 24010400 |
| eCl@ss 4.1 | 24010400 |
| eCl@ss 5.0 | 19030300 |
| eCl@ss 5.1 | 19030300 |
| eCl@ss 6.0 | 27279200 |
| eCl@ss 7.0 | 27279218 |
| eCl@ss 8.0 | 27440203 |
| eCl@ss 9.0 | 27440203 |

Power cable - SAC-5P-M12MRK/ 3,0-PUR PE SH - 1414838

Classifications

ETIM

| | |
|----------|----------|
| ETIM 5.0 | EC002311 |
| ETIM 6.0 | EC002311 |
| ETIM 7.0 | EC002311 |

Approvals

Approvals

Approvals

UL Listed / cUL Listed / EAC-RoHS / EAC / cULus Listed

Ex Approvals

Approval details

| | | | |
|----------------------------|--|---|---------|
| UL Listed | | http://database.ul.com/cgi-bin/XYV/template/LISEXT/1FRAME/index.htm | E468743 |
| Nominal voltage UN | | 600 V | |
| Nominal current IN | | 16 A | |
| mm ² /AWG/kcmil | | 14 | |

| | | | |
|----------------------------|--|---|---------|
| cUL Listed | | http://database.ul.com/cgi-bin/XYV/template/LISEXT/1FRAME/index.htm | E468743 |
| Nominal voltage UN | | 600 V | |
| Nominal current IN | | 16 A | |
| mm ² /AWG/kcmil | | 14 | |

| | | |
|----------|--|--------------------------|
| EAC-RoHS | | RU D- DE.HB35.B.00387 |
|----------|--|--------------------------|

| | | |
|-----|--|--------------------------|
| EAC | | RU C- DE.BL08.B.00286 |
|-----|--|--------------------------|

Power cable - SAC-5P-M12MRK/ 3,0-PUR PE SH - 1414838

Approvals

cULus Listed



Accessories

Accessories

Protective cap

Sealing cap - PROT-M12 FS - 1560251



M12 sealing cap for unoccupied M12 plugs of the sensor/actuator cable, flush-type plugs and I/O devices in the field

Screwdriver tools

Tool - SAC BIT M12-D16 - 1200305



Nut for assembling sensor/actuator cables with M12 connector and M12 connectors for assembly, knurl diameter: 16 mm, for 4 mm hexagonal drive

Phoenix Contact 2020 © - all rights reserved
<http://www.phoenixcontact.com>

PHOENIX CONTACT GmbH & Co. KG

Flachsmarktstr. 8

32825 Blomberg

Germany

Tel. +49 5235 300

Fax +49 5235 3 41200

<http://www.phoenixcontact.com>

X-ON Electronics

Largest Supplier of Electrical and Electronic Components

Click to view similar products for [Sensor Cables / Actuator Cables](#) category:

Click to view products by [Phoenix Contact](#) manufacturer:

Other Similar products are found below :

[60963](#) [60964](#) [703000D02F2002](#) [703001D02F0602](#) [703001D02F300](#) [704000D02F120](#) [773032K02F030](#) [802027107404-1](#) [802027213811-1](#)
[804001A09M150](#) [805001A09M0502](#) [84914-0235](#) [84914-0237](#) [885030A09M020](#) [1200651332](#) [1200651713](#) [1200660844](#) [1200660845](#)
[1200661173](#) [1200680071](#) [1200720053](#) [1200720081](#) [1200720099](#) [1200720217](#) [1200800231](#) [1200860125](#) [1200870123](#) [1200980102](#)
[1200650267](#) [1200650298](#) [1200660183](#) [1200660782](#) [1200660849](#) [1200661295](#) [1200661297](#) [1200661342](#) [1200661343](#) [1200670080](#)
[1200670220](#) [1200680331](#) [1200720252](#) [1200730184](#) [1200860344](#) [1200870359](#) [1200870643](#) [1200980008](#) [1200980031](#) [1210502211](#)
[1210400542](#) [1211810021](#)