

Nut - QPD N 3PE1,5 4-9 BK - 1415097

Please be informed that the data shown in this PDF Document is generated from our Online Catalog. Please find the complete data in the user's documentation. Our General Terms of Use for Downloads are valid (<http://phoenixcontact.com/download>)



Nut, QUICKON connection, number of positions: 3+PE, 0.5 mm² ... 1.5 mm², 690 V, 17.5 A, black, cable diameter range: 5 mm ... 9.5 mm

Your advantages

- ✓ Innovative and time saving - QUICKON fast connection for time saving of up to 80 % for on-site connection
- ✓ Convenient: quick and easy assembly without special tools
- ✓ Robust throughout: housing with IP68/IP69K and IK07 protection for a wide range of applications

Key Commercial Data

| | |
|--------------|---------------|
| Packing unit | 1 pc |
| GTIN | |
| GTIN | 4055626037608 |

Technical data

General

| | |
|---------------------------------------|---------------------|
| Type | QPD 4x1,5 |
| Color | black |
| Locking type | Screw locking |
| Connection method | QUICKON connection |
| | IDC connection |
| Number of positions | 4 |
| Note number of positions | 3+PE |
| Tightening torque, union nut | 8 Nm |
| Number of connections | 10 |
| Conductor cross section flexible min. | 0.5 mm ² |
| Conductor cross section flexible max. | 1.5 mm ² |
| Conductor cross section solid min. | 0.5 mm ² |
| Conductor cross section solid max. | 1.5 mm ² |

Nut - QPD N 3PE1,5 4-9 BK - 1415097

Technical data

General

| | |
|----------------------------------|----|
| Conductor cross section AWG min. | 20 |
| Conductor cross section AWG max. | 16 |

Cabel

| | |
|-----------------------------------------------------------------------------|------------------------------------|
| Structure of individual litz in acc. with VDE 0295 / smallest wire diameter | VDE 0295 class 1 to 6/min. 0.15 mm |
| Wire insulation material | PVC/PE/TPE/rubber |
| Wire diameter including insulation | 1.6 mm ... 3 mm |
| External cable diameter | 5 mm ... 9.5 mm |
| Position marking | 1, 2, 3, PE |

Ambient conditions

| | |
|-----------------------------------------|-------------------|
| Degree of protection | IP66 |
| | IP68 |
| | IP69K |
| Ambient temperature (operation) | -40 °C ... 100 °C |
| Ambient temperature (storage/transport) | -40 °C ... 80 °C |
| Temperature when conductor connected | -5 °C ... 50 °C |

Electrical characteristics

| | |
|-----------------------------|--------|
| Nominal current I_N | 17.5 A |
| Rated current | 17.5 A |
| Rated voltage (III/3) | 690 V |
| Rated voltage (III/2) | 1000 V |
| Rated voltage (II/2) | 1000 V |
| Rated surge voltage (III/3) | 8 kV |
| Rated surge voltage (III/2) | 8 kV |
| Rated surge voltage (II/2) | 8 kV |

Mechanical characteristics

| | |
|--------------------------|---------|
| QUICKON connectability | max. 10 |
| Category of shock impact | IK07 |

Material data

| | |
|----------------------------------------|-----|
| Contact carrier material | PA |
| Insulating material | PA |
| Flammability rating according to UL 94 | V0 |
| Overvoltage category | III |
| Degree of pollution | 3 |

Standards and Regulations

| | |
|----------------------------------------|------|
| Category of shock impact | IK07 |
| Flammability rating according to UL 94 | V0 |

Environmental Product Compliance

| | |
|------------|---------------------------------------------------------|
| China RoHS | Environmentally friendly use period: unlimited = EFUP-e |
|------------|---------------------------------------------------------|

Nut - QPD N 3PE1,5 4-9 BK - 1415097

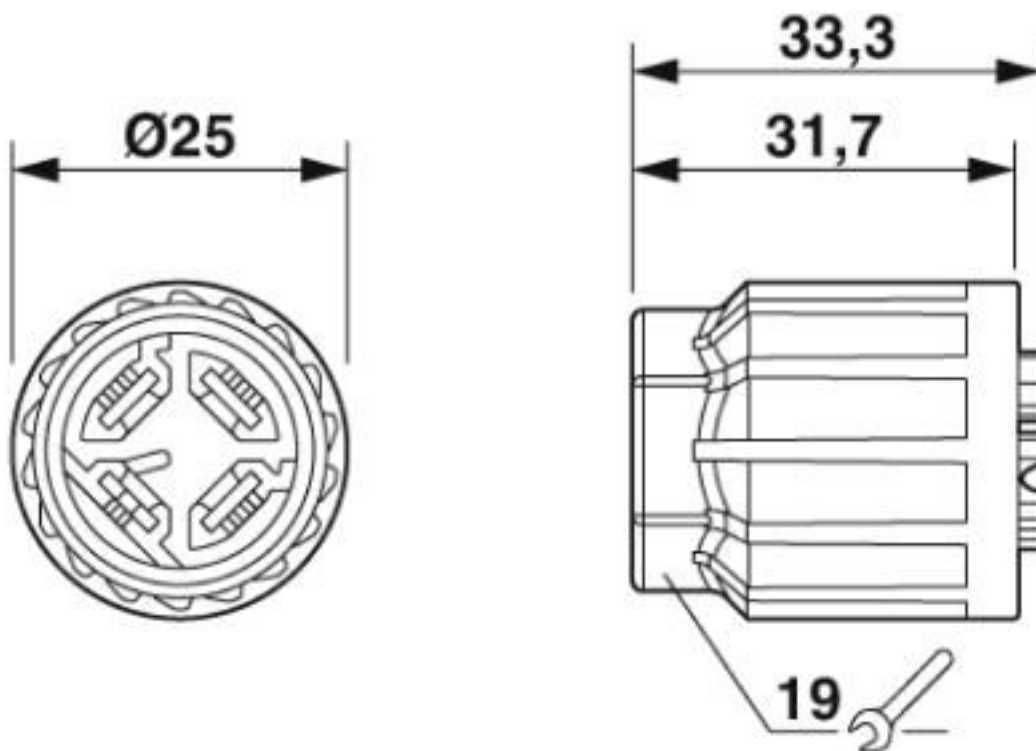
Technical data

Environmental Product Compliance

| | |
|--|------------------------------------------------|
| | No hazardous substances above threshold values |
|--|------------------------------------------------|

Drawings

Dimensional drawing



Dimensional drawing of the QPD nut 5x2,5

Classifications

eCl@ss

| | |
|---------------|----------|
| eCl@ss 10.0.1 | 27440691 |
| eCl@ss 4.0 | 27140800 |
| eCl@ss 4.1 | 27140800 |
| eCl@ss 5.0 | 27143400 |
| eCl@ss 5.1 | 27143400 |
| eCl@ss 6.0 | 27143400 |
| eCl@ss 7.0 | 27440605 |
| eCl@ss 8.0 | 27440605 |
| eCl@ss 9.0 | 27440691 |

Nut - QPD N 3PE1,5 4-9 BK - 1415097

Classifications

ETIM

| | |
|----------|----------|
| ETIM 5.0 | EC002560 |
| ETIM 6.0 | EC002560 |
| ETIM 7.0 | EC002560 |

UNSPSC

| | |
|-------------|----------|
| UNSPSC 13.2 | 39121402 |
| UNSPSC 18.0 | 39121421 |
| UNSPSC 19.0 | 39121421 |
| UNSPSC 20.0 | 39121421 |
| UNSPSC 21.0 | 39121421 |

Approvals

Approvals


Approvals


DNV GL / IECCE CB Scheme / VDE Zeichengenehmigung

Ex Approvals

Approval details

| | | | |
|--------|-------------------------------------------------------------------------------------|-----------------------------------------------------------------------------------|------------|
| DNV GL |  | https://approvalfinder.dnvgl.com/ | TAE00003J5 |
|--------|-------------------------------------------------------------------------------------|-----------------------------------------------------------------------------------|------------|

| | | | |
|-----------------|-------------------------------------------------------------------------------------|-----------------------------------------------------------|-----------|
| IECEE CB Scheme |  | http://www.iecee.org/ | DE1-61559 |
|-----------------|-------------------------------------------------------------------------------------|-----------------------------------------------------------|-----------|

| | | | |
|------------------------|-------------------------------------------------------------------------------------|-----------------------------------------------------------------------------------------------------------------------------------------------------------------------------------------------------------|----------|
| VDE Zeichengenehmigung |  | http://www2.vde.com/de/Institut/Online-Service/VDE-gepruefteProdukte/Seiten/Online-Suche.aspx | 40029149 |
|------------------------|-------------------------------------------------------------------------------------|-----------------------------------------------------------------------------------------------------------------------------------------------------------------------------------------------------------|----------|

| | |
|----------------------------|---------|
| Nominal voltage UN | 690 V |
| Nominal current IN | 17.5 A |
| mm ² /AWG/kcmil | 0.5-1.5 |

Accessories

Accessories

Nut - QPD N 3PE1,5 4-9 BK - 1415097

Accessories

Coding element

Coding profile - CP-QPD 3/4X1,5 - 1414729



Coding profile red, for pushing into the QUICKON dome and connector, can be positioned in 90° steps.

Sealing plugs

Closing cap - SEALING PLUG 7X16 RD - 1400255



Closing cap, material: PA, color: red

Phoenix Contact 2020 © - all rights reserved
<http://www.phoenixcontact.com>

PHOENIX CONTACT GmbH & Co. KG
Flachsmarktstr. 8
32825 Blomberg
Germany
Tel. +49 5235 300
Fax +49 5235 3 41200
<http://www.phoenixcontact.com>

X-ON Electronics

Largest Supplier of Electrical and Electronic Components

Click to view similar products for [Circular Metric Connectors](#) category:

Click to view products by [Phoenix Contact](#) manufacturer:

Other Similar products are found below :

[600X518037X](#) [6STD15PCR99B70A](#) [8R4000A16M020](#) [8R5000A16M005](#) [1200910002](#) [1203580030](#) [1200910008](#) [1200910011](#) [1300140094](#)
[130203-0054](#) [1300140026](#) [1300150099](#) [RF-12S1N8A90DU](#) [1-3637-600-5205](#) [1612618](#) [21036836414](#) [8R4006A16M010](#) [1604232](#)
[1R3006A20M005](#) [RF-12P1N8A90DU](#) [41-40011](#) [42-00006](#) [42-01015](#) [4-22279-4](#) [4-22281-1](#) [4-22284-9](#) [43-00113](#) [43-01088](#) [43-01203](#) [41-](#)
[40013](#) [42-00008](#) [43-00343](#) [43-01026](#) [43-01162](#) [43-01173](#) [43-10000](#) [XS3P-M421-2](#) [600X518050X](#) [SACC-DSI-FS-5P-PG9-L180 SC](#)
[8R5006A16M020](#) [8R5006A16M005](#) [8R4000A16M010](#) [6-22279-3](#) [1605332](#) [N03FA03144](#) [1300140077](#) [43-16213](#) [43-01338](#) [XS2RD4265](#)
[XS2R-D426-1](#)