

Cable gland - G-ESIS-M16-S68L-PEPDS-BK - 1415107

Please be informed that the data shown in this PDF Document is generated from our Online Catalog. Please find the complete data in the user's documentation. Our General Terms of Use for Downloads are valid (<http://phoenixcontact.com/download>)



Cable gland, cable gland material: PA, application: Ex, external cable diameter 4.5 mm ... 9 mm, shielding: no, connecting thread: M16 x 1.5, color: black, with flat gasket

Product Description

Cable gland, with flat gasket

Your advantages

- Glow-wire test: 750°C
- Weatherproof sealing material
- Halogen-free



Key Commercial Data

Packing unit	10 pc
Minimum order quantity	10 pc
GTIN	
GTIN	4055626037691

Technical data

Dimensions

Length	37 mm
Thread pitch	1.5 mm
Wrench size, union nut	20 mm
Wrench size, support	20 mm
Hexagon angular dimension	23 mm
Length of the connecting thread	15 mm
External cable diameter	4.5 mm ... 9 mm
Cable types that can be used	for unarmored cables
Hole diameter	16.1 mm ... 16.3 mm

Ambient conditions

Cable gland - G-ESIS-M16-S68L-PEPDS-BK - 1415107

Technical data

Ambient conditions

Degree of protection (IP)	IP66
	IP68 (5 bar / 0.5 h)
Ambient temperature (operation)	-40 °C ... 75 °C (static)

General

Material	PA (Screw connection, halogen-free)
Cable gland material	PA
Sealing material	EPDM (Cable seal, halogen-free)
Flammability rating according to UL 94	HB
Glow wire ignition temperature GWIT according to EN 60695-2-13	750.00
Thread type connection side	M16 x 1.5
Torque	1.8 Nm (Support sleeve)
Tightening torque, union nut	1.30 Nm
Color	black
Impact energy	4.00 J (at -40 °C ... +75 °C)
Manufacturer	WISKA
Manufacturer Designation	ESKE/1-L-e 16
Suited for EX-applications	yes

Standards and Regulations

Halogen-free	yes
ATEX	II 2 G Ex e IIC Gb, II 2 D Ex tb IIIC Db
IECEX	Ex e IIC Gb, Ex tb IIIC Db
Flammability rating according to UL 94	HB

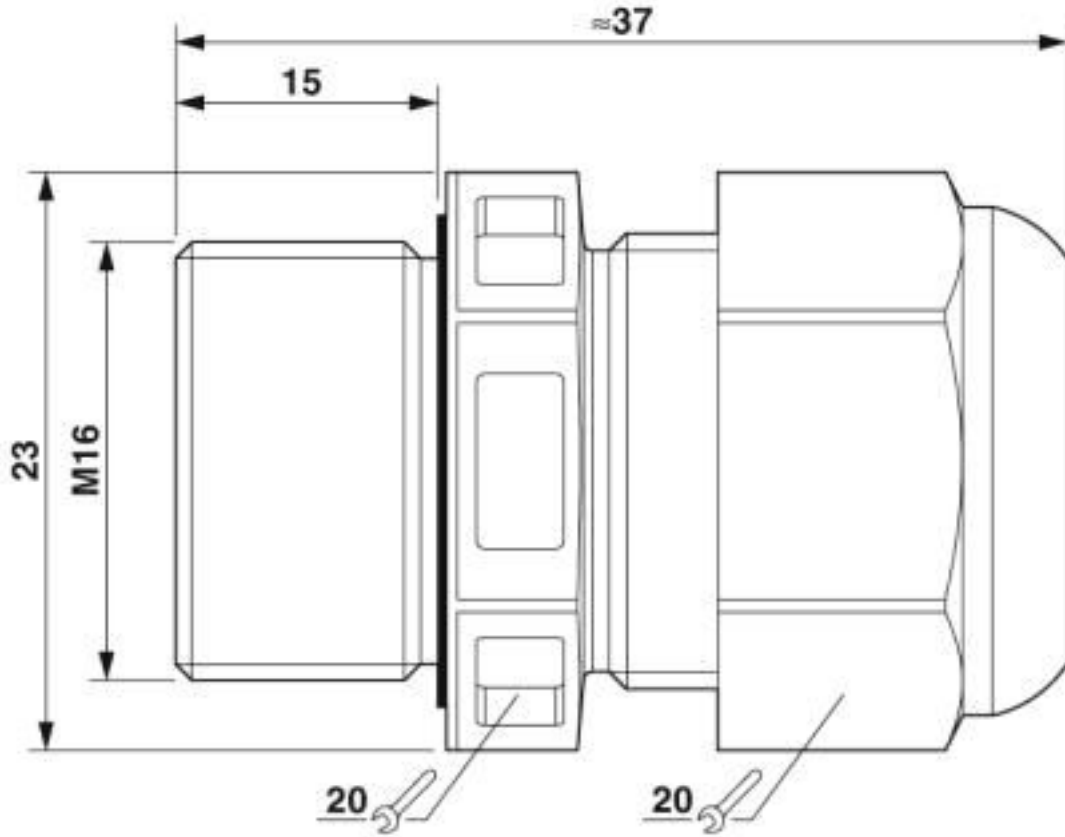
Environmental Product Compliance

China RoHS	Environmentally friendly use period: unlimited = EFUP-e
	No hazardous substances above threshold values

Drawings

Cable gland - G-ESIS-M16-S68L-PEPDS-BK - 1415107

Dimensional drawing



Dimensional drawing

Classifications

eCl@ss

eCl@ss 10.0.1	27144432
eCl@ss 4.0	27141200
eCl@ss 4.1	27141200
eCl@ss 5.0	27149100
eCl@ss 5.1	27149100
eCl@ss 6.0	27149100
eCl@ss 7.0	27149109
eCl@ss 8.0	27149109
eCl@ss 9.0	27144432

ETIM

ETIM 5.0	EC000441
ETIM 6.0	EC000441
ETIM 7.0	EC000441

Cable gland - G-ESIS-M16-S68L-PEPDS-BK - 1415107

Classifications

UNSPSC

UNSPSC 13.2	39121311
UNSPSC 18.0	39121311
UNSPSC 19.0	39121311
UNSPSC 20.0	39121311
UNSPSC 21.0	39121311

Accessories

Accessories

Flat nut

Counter nut - A-INL-M16-P-BK - 1411214



Counter nut, material: PA, for threads M16 x 1.5, color: jet black RAL 9005

Phoenix Contact 2020 © - all rights reserved
<http://www.phoenixcontact.com>

PHOENIX CONTACT GmbH & Co. KG
Flachsmarktstr. 8
32825 Blomberg
Germany
Tel. +49 5235 300
Fax +49 5235 3 41200
<http://www.phoenixcontact.com>

X-ON Electronics

Largest Supplier of Electrical and Electronic Components

Click to view similar products for [Cable Mounting & Accessories](#) category:

Click to view products by [Phoenix Contact](#) manufacturer:

Other Similar products are found below :

[582603-1](#) [009333-000](#) [727844N003](#) [747](#) [809090N001](#) [843188-000](#) [8666](#) [967279N002](#) [DB-11](#) [1300840039](#) [1300900096](#) [1301800416](#)
[1302264450](#) [1300830184](#) [1300830729](#) [1300900039](#) [1301580036](#) [1301850553](#) [1301860939](#) [1302000074](#) [1302261315](#) [1302264431](#)
[1337706-2](#) [APA18-AK](#) [1724](#) [1-787307-1](#) [185491N001](#) [1868](#) [HP-6N](#) [C-202-C](#) [202C221-13-0](#) [CA7308-000](#) [8S23-75FR-CS8184](#) [2684](#) [9648](#)
[3089](#) [988382-000](#) [A72821-000](#) [AA401](#) [173506-000](#) [1823](#) [202C292-13-0](#) [202C302-13-0](#) [2109](#) [300625](#) [3330](#) [3412](#) [356247-1](#) [M9142](#)
[M9143](#)