

## Cable gland - G-ESIS-M63-L68L-PEPDS-BL - 1415122

Please be informed that the data shown in this PDF Document is generated from our Online Catalog. Please find the complete data in the user's documentation. Our General Terms of Use for Downloads are valid (<http://phoenixcontact.com/download>)



Cable gland, cable gland material: PA, application: Ex, external cable diameter 34 mm ... 48 mm, shielding: no, connecting thread: M63 x 1.5, color: black/blue, with flat gasket

### Product Description


Cable gland, with flat gasket

### Your advantages

- Glow-wire test: 750°C
- Weatherproof sealing material
- Halogen-free



### Key Commercial Data

Packing unit	1 pc
GTIN	 4 055626 037837
GTIN	4055626037837

### Technical data

#### Dimensions

Length	67 mm
Thread pitch	1.5 mm
Wrench size, union nut	68 mm
Wrench size, support	68 mm
Hexagon angular dimension	75 mm
Length of the connecting thread	18 mm
External cable diameter	34 mm ... 48 mm
Cable types that can be used	for unarmored cables
Hole diameter	63.1 mm ... 63.3 mm

#### Ambient conditions

Degree of protection (IP)	IP66
---------------------------	------

# Cable gland - G-ESIS-M63-L68L-PEPDS-BL - 1415122

## Technical data

### Ambient conditions

	IP68 (5 bar / 0.5 h)
Ambient temperature (operation)	-40 °C ... 75 °C (static)

### General

Material	PA (Screw connection, halogen-free)
Cable gland material	PA
Sealing material	EPDM (Cable seal, halogen-free)
Glow wire ignition temperature GWIT according to EN 60695-2-13	750.00
Thread type connection side	M63 x 1.5
Torque	17 Nm (Support sleeve)
Tightening torque, union nut	16.00 Nm
Color	black/blue
Impact energy	7.00 J (at -40 °C ... +75 °C)
Manufacturer	WISKA
Manufacturer Designation	ESKE/1-L-i 63
Suited for EX-applications	yes

### Standards and Regulations

Halogen-free	yes
ATEX	II 2 G Ex e IIC Gb, II 2 D Ex tb IIIC Db
IECEX	Ex e IIC Gb, Ex tb IIIC Db

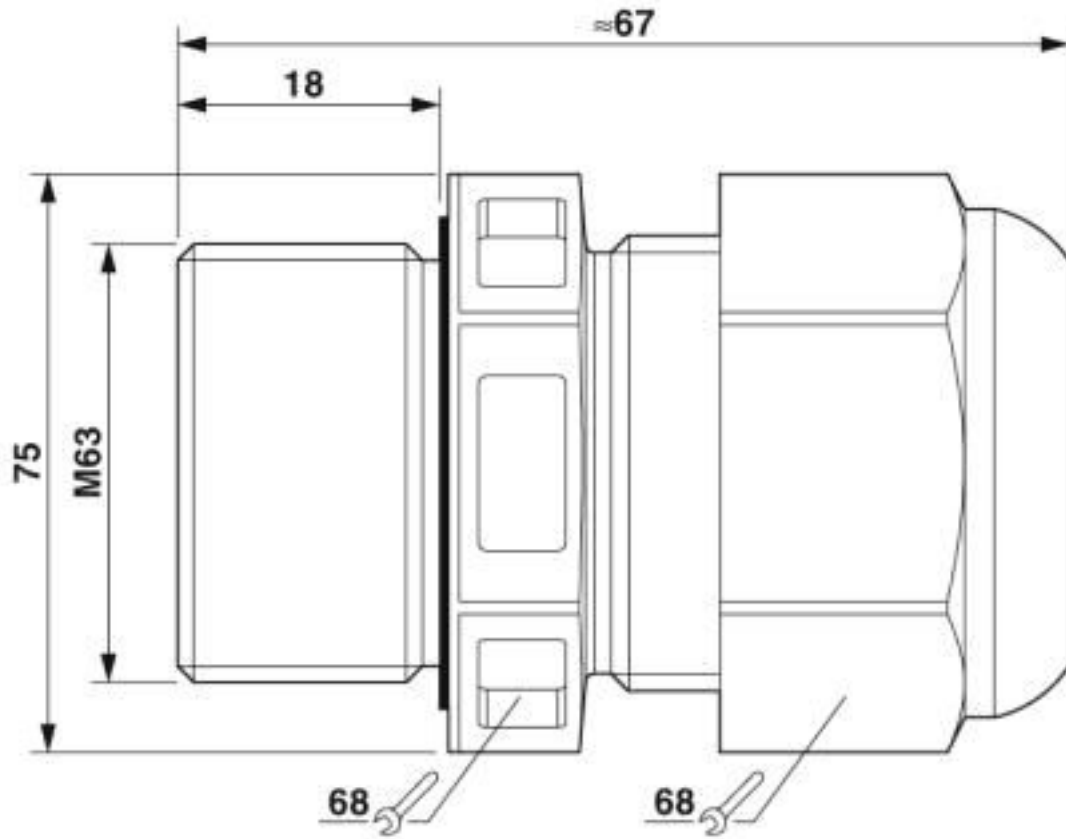
### Environmental Product Compliance

China RoHS	Environmentally friendly use period: unlimited = EFUP-e
	No hazardous substances above threshold values

## Drawings

# Cable gland - G-ESIS-M63-L68L-PEPDS-BL - 1415122

Dimensional drawing



Dimensional drawing

## Classifications

eCl@ss

eCl@ss 10.0.1	27144432
eCl@ss 4.0	27141200
eCl@ss 4.1	27141200
eCl@ss 5.0	27149100
eCl@ss 5.1	27149100
eCl@ss 6.0	27149100
eCl@ss 7.0	27149109
eCl@ss 8.0	27149109
eCl@ss 9.0	27144432

ETIM

ETIM 5.0	EC000441
ETIM 6.0	EC000441
ETIM 7.0	EC000441

## Cable gland - G-ESIS-M63-L68L-PEPDS-BL - 1415122

### Classifications

#### UNSPSC

UNSPSC 13.2	39121311
UNSPSC 18.0	39121311
UNSPSC 19.0	39121311
UNSPSC 20.0	39121311
UNSPSC 21.0	39121311

### Accessories

#### Accessories

##### Flat nut

Counter nut - A-INL-M63-P-BK - 1411220



Counter nut, material: PA, for threads M63 x 1.5, color: jet black RAL 9005

---

Phoenix Contact 2020 © - all rights reserved  
<http://www.phoenixcontact.com>

PHOENIX CONTACT GmbH & Co. KG  
Flachsmarktstr. 8  
32825 Blomberg  
Germany  
Tel. +49 5235 300  
Fax +49 5235 3 41200  
<http://www.phoenixcontact.com>

## X-ON Electronics

Largest Supplier of Electrical and Electronic Components

*Click to view similar products for [Cable Mounting & Accessories](#) category:*

*Click to view products by [Phoenix Contact](#) manufacturer:*

Other Similar products are found below :

[582603-1](#) [009333-000](#) [727844N003](#) [747](#) [809090N001](#) [843188-000](#) [8666](#) [967279N002](#) [DB-11](#) [1300840039](#) [1300900096](#) [1301800416](#)  
[1302264450](#) [1300830184](#) [1300830729](#) [1300900039](#) [1301580036](#) [1301850553](#) [1301860939](#) [1302000074](#) [1302261315](#) [1302264431](#)  
[1337706-2](#) [APA18-AK](#) [1724](#) [1-787307-1](#) [185491N001](#) [1868](#) [HP-6N](#) [C-202-C](#) [202C221-13-0](#) [CA7308-000](#) [8S23-75FR-CS8184](#) [2684](#) [9648](#)  
[3089](#) [988382-000](#) [A72821-000](#) [AA401](#) [173506-000](#) [1823](#) [202C292-13-0](#) [202C302-13-0](#) [2109](#) [300625](#) [3330](#) [3412](#) [356247-1](#) [M9142](#)  
[M9143](#)