

Cable gland - G-INB-M20-S68N-PEPDS-LG - 1415174

Please be informed that the data shown in this PDF Document is generated from our Online Catalog. Please find the complete data in the user's documentation. Our General Terms of Use for Downloads are valid (<http://phoenixcontact.com/download>)




Cable gland, cable gland material: PA, external cable diameter 6 mm ... 13 mm, shielding: no, connecting thread: M20 x 1.5, color: lightgrey RAL 7035, with bend protection sleeve

Your advantages

- Glow-wire test: 750°C
- Weatherproof sealing material
- Halogen-free

Key Commercial Data

| | |
|------------------------|---|
| Packing unit | 10 pc |
| Minimum order quantity | 10 pc |
| GTIN |  4 055626 038056 |
| GTIN | 4055626038056 |

Technical data

Dimensions

| | |
|---------------------------------|-----------------------------------|
| Length | 103 mm |
| Wrench size, union nut | 24 mm |
| Wrench size, support | 24 mm |
| Hexagon angular dimension | 27 mm |
| Length of the connecting thread | 12 mm |
| Feed-through hole diameter | 20.1 mm ... 20.2 mm |
| External cable diameter | 6 mm ... 13 mm |
| | 7.5 mm ... 11.3 mm (for UL 514 B) |

Ambient conditions

| | |
|---------------------------------|---------------------------------|
| Degree of protection (IP) | IP68 (5 bar / 0.5 h) |
| | IP69 (DIN EN 60529 / IEC 60529) |
| Ambient temperature (operation) | -40 °C ... 100 °C (static) |

Cable gland - G-INB-M20-S68N-PEPDS-LG - 1415174

Technical data

General

| | |
|--|---------------------------------|
| Type | with bend protection sleeve |
| No. of conductors | 1 |
| Cable gland material | PA |
| Sealing material | EPDM (Cable seal, halogen-free) |
| Glow wire ignition temperature GWIT according to EN 60695-2-13 | 750.00 |
| Shielded | no |
| Thread type on connection side | M20 x 1.5 |
| Torque | 4 Nm (Union nut: EN 62444) |
| | 4 Nm (Support: EN 62444) |
| Color | lightgrey RAL 7035 |
| Impact category | 2 |
| Execution of the strain relief | A |
| Manufacturer | WISKA |
| Manufacturer Designation | ESKVS 20 |

Standards and Regulations

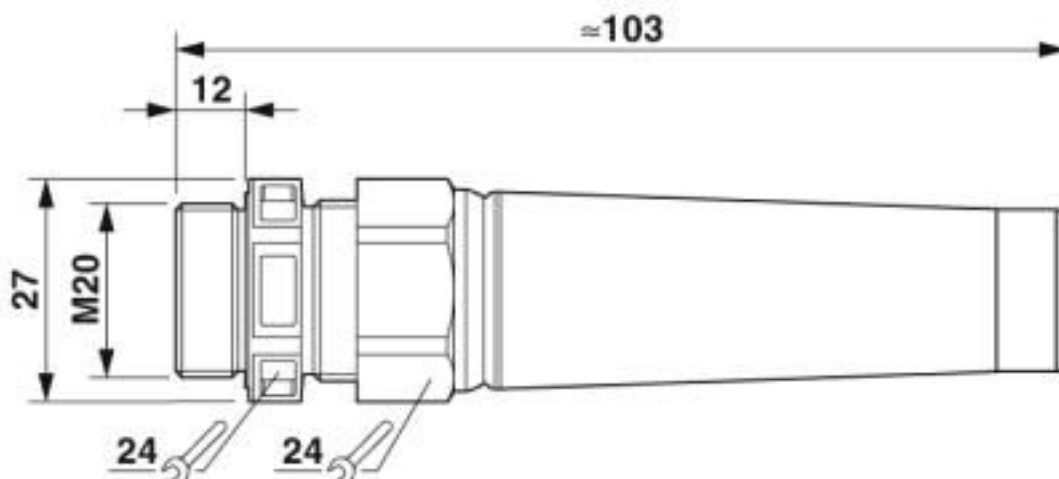
| | |
|--------------|-----|
| Halogen-free | yes |
|--------------|-----|

Environmental Product Compliance

| | |
|------------|---|
| China RoHS | Environmentally friendly use period: unlimited = EFUP-e |
| | No hazardous substances above threshold values |

Drawings

Dimensional drawing



Cable gland - G-INB-M20-S68N-PEPDS-LG - 1415174

Classifications

eCl@ss

| | |
|---------------|----------|
| eCl@ss 10.0.1 | 27144432 |
| eCl@ss 4.0 | 27141200 |
| eCl@ss 4.1 | 27141200 |
| eCl@ss 5.0 | 27149100 |
| eCl@ss 5.1 | 27149100 |
| eCl@ss 6.0 | 27149100 |
| eCl@ss 7.0 | 27149109 |
| eCl@ss 8.0 | 27149109 |
| eCl@ss 9.0 | 27144432 |

ETIM

| | |
|----------|----------|
| ETIM 5.0 | EC000441 |
| ETIM 6.0 | EC000441 |
| ETIM 7.0 | EC000441 |

UNSPSC

| | |
|-------------|----------|
| UNSPSC 13.2 | 39121311 |
| UNSPSC 18.0 | 39121311 |
| UNSPSC 19.0 | 39121311 |
| UNSPSC 20.0 | 39121311 |
| UNSPSC 21.0 | 39121311 |

Approvals

Approvals

Approvals

UL Recognized / cUL Recognized / GOST-R / cULus Recognized

Ex Approvals

Approval details


| | | | |
|---------------|---|---|---------|
| UL Recognized |  | http://database.ul.com/cgi-bin/XYV/template/LISEXT/1FRAME/index.htm | E179850 |
|---------------|---|---|---------|

| | | | |
|----------------|---|---|---------|
| cUL Recognized |  | http://database.ul.com/cgi-bin/XYV/template/LISEXT/1FRAME/index.htm | E179850 |
|----------------|---|---|---------|

Cable gland - G-INB-M20-S68N-PEPDS-LG - 1415174

Approvals

| | | |
|--------|---|------------------------|
| GOST-R |  | POCC DE.A*98.H12052 |
|--------|---|------------------------|

| | |
|------------------|---|
| cULus Recognized |  |
|------------------|---|

Accessories

Accessories

Flat nut

Counter nut - A-INL-M20-P-GY - 1411207



Counter nut, material: PA, for threads M20 x 1.5, color: silver-gray RAL 7001

Phoenix Contact 2020 © - all rights reserved
<http://www.phoenixcontact.com>

PHOENIX CONTACT GmbH & Co. KG
Flachsmarktstr. 8
32825 Blomberg
Germany
Tel. +49 5235 300
Fax +49 5235 3 41200
<http://www.phoenixcontact.com>

X-ON Electronics

Largest Supplier of Electrical and Electronic Components

Click to view similar products for [Cable Mounting & Accessories](#) category:

Click to view products by [Phoenix Contact](#) manufacturer:

Other Similar products are found below :

[582603-1](#) [009333-000](#) [727844N003](#) [747](#) [809090N001](#) [843188-000](#) [8666](#) [967279N002](#) [DB-11](#) [1300840039](#) [1300900096](#) [1301800416](#)
[1302264450](#) [1300830184](#) [1300830729](#) [1300900039](#) [1301580036](#) [1301850553](#) [1301860939](#) [1302000074](#) [1302261315](#) [1302264431](#)
[1337706-2](#) [APA18-AK](#) [1724](#) [1-787307-1](#) [185491N001](#) [1868](#) [HP-6N](#) [C-202-C](#) [202C221-13-0](#) [CA7308-000](#) [8S23-75FR-CS8184](#) [2684](#) [9648](#)
[3089](#) [988382-000](#) [A72821-000](#) [AA401](#) [173506-000](#) [1823](#) [202C292-13-0](#) [202C302-13-0](#) [2109](#) [300625](#) [3330](#) [3412](#) [356247-1](#) [M9142](#)
[M9143](#)