

Cable gland - G-INB-M16-S68N-PEPDS-BK - 1415178

Please be informed that the data shown in this PDF Document is generated from our Online Catalog. Please find the complete data in the user's documentation. Our General Terms of Use for Downloads are valid (<http://phoenixcontact.com/download>)




Cable gland, cable gland material: PA, external cable diameter 4.5 mm ... 10 mm, shielding: no, connecting thread: M16 x 1.5, color: jet black RAL 9005, with bend protection sleeve

Your advantages

- ✓ Glow-wire test: 750°C
- ✓ Weatherproof sealing material
- ✓ Halogen-free

Key Commercial Data

Packing unit	10 pc
Minimum order quantity	10 pc
GTIN	 4 055626 038094
GTIN	4055626038094

Technical data

Dimensions

Length	82 mm
Wrench size, union nut	20 mm
Wrench size, support	20 mm
Hexagon angular dimension	22 mm
Length of the connecting thread	9 mm
Feed-through hole diameter	16.1 mm ... 16.2 mm
External cable diameter	4.5 mm ... 10 mm
	6 mm ... 8.6 mm (for UL 514 B)

Ambient conditions

Degree of protection (IP)	IP68 (5 bar / 0.5 h)
	IP69 (DIN EN 60529 / IEC 60529)
Ambient temperature (operation)	-40 °C ... 100 °C (static)

Cable gland - G-INB-M16-S68N-PEPDS-BK - 1415178

Technical data

General

Type	with bend protection sleeve
No. of conductors	1
Cable gland material	PA
Sealing material	EPDM (Cable seal, halogen-free)
Glow wire ignition temperature GWIT according to EN 60695-2-13	750.00
Shielded	no
Thread type on connection side	M16 x 1.5
Torque	1.5 Nm (Union nut: EN 62444) 3.5 Nm (Support: EN 62444)
Color	jet black RAL 9005
Impact category	2
Execution of the strain relief	A
Manufacturer	WISKA
Manufacturer Designation	ESKVS 16

Standards and Regulations

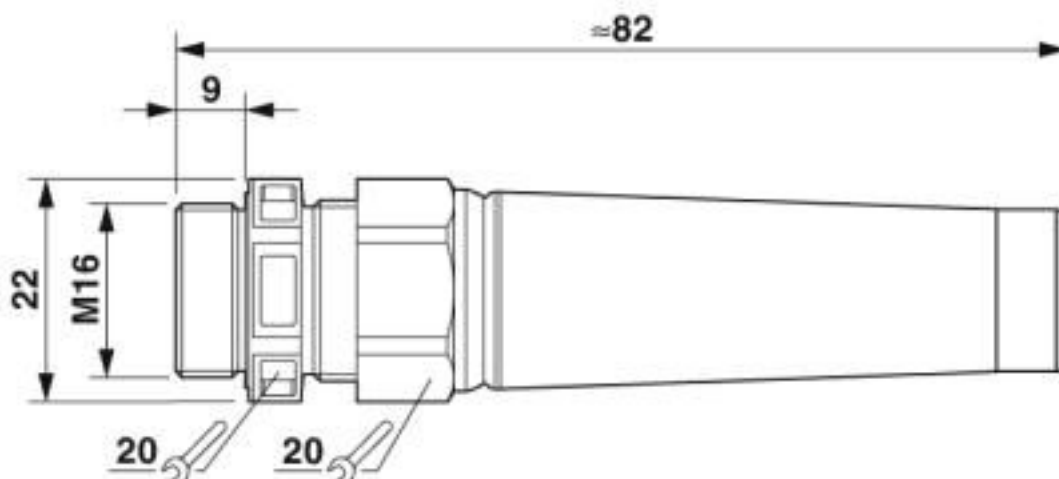
Halogen-free	yes
--------------	-----

Environmental Product Compliance

China RoHS	Environmentally friendly use period: unlimited = EFUP-e
	No hazardous substances above threshold values

Drawings

Dimensional drawing



Cable gland - G-INB-M16-S68N-PEPDS-BK - 1415178

Classifications

eCl@ss

eCl@ss 10.0.1	27144432
eCl@ss 4.0	27141200
eCl@ss 4.1	27141200
eCl@ss 5.0	27149100
eCl@ss 5.1	27149100
eCl@ss 6.0	27149100
eCl@ss 7.0	27149109
eCl@ss 8.0	27149109
eCl@ss 9.0	27144432

ETIM

ETIM 5.0	EC000441
ETIM 6.0	EC000441
ETIM 7.0	EC000441

UNSPSC

UNSPSC 13.2	39121311
UNSPSC 18.0	39121311
UNSPSC 19.0	39121311
UNSPSC 20.0	39121311
UNSPSC 21.0	39121311

Approvals

Approvals

Approvals

UL Recognized / cUL Recognized / GOST-R / cULus Recognized

Ex Approvals

Approval details


UL Recognized		http://database.ul.com/cgi-bin/XYV/template/LISEXT/1FRAME/index.htm	E179850
---------------	---	---	---------

cUL Recognized		http://database.ul.com/cgi-bin/XYV/template/LISEXT/1FRAME/index.htm	E179850
----------------	---	---	---------

Cable gland - G-INB-M16-S68N-PEPDS-BK - 1415178

Approvals

GOST-R		POCC DE.A*98.H12052
--------	---	------------------------

cULus Recognized	
------------------	---

Accessories

Accessories

Flat nut

Counter nut - A-INL-M16-P-BK - 1411214



Counter nut, material: PA, for threads M16 x 1.5, color: jet black RAL 9005

Phoenix Contact 2020 © - all rights reserved
<http://www.phoenixcontact.com>

PHOENIX CONTACT GmbH & Co. KG
Flachsmarktstr. 8
32825 Blomberg
Germany
Tel. +49 5235 300
Fax +49 5235 3 41200
<http://www.phoenixcontact.com>

X-ON Electronics

Largest Supplier of Electrical and Electronic Components

Click to view similar products for [Cable Mounting & Accessories](#) category:

Click to view products by [Phoenix Contact](#) manufacturer:

Other Similar products are found below :

[582603-1](#) [009333-000](#) [727844N003](#) [747](#) [809090N001](#) [843188-000](#) [8666](#) [967279N002](#) [DB-11](#) [1300840039](#) [1300900096](#) [1301800416](#)
[1302264450](#) [1300830184](#) [1300830729](#) [1300900039](#) [1301580036](#) [1301850553](#) [1301860939](#) [1302000074](#) [1302261315](#) [1302264431](#)
[1337706-2](#) [APA18-AK](#) [1724](#) [1-787307-1](#) [185491N001](#) [1868](#) [HP-6N](#) [C-202-C](#) [202C221-13-0](#) [CA7308-000](#) [8S23-75FR-CS8184](#) [2684](#) [9648](#)
[3089](#) [988382-000](#) [A72821-000](#) [AA401](#) [173506-000](#) [1823](#) [202C292-13-0](#) [202C302-13-0](#) [2109](#) [300625](#) [3330](#) [3412](#) [356247-1](#) [M9142](#)
[M9143](#)