

Cable gland - G-INB-M32-M68N-NEPDS-S - 1415184

Please be informed that the data shown in this PDF Document is generated from our Online Catalog. Please find the complete data in the user's documentation. Our General Terms of Use for Downloads are valid (<http://phoenixcontact.com/download>)




Cable gland, cable gland material: Nickel-plated brass, external cable diameter 13 mm ... 21 mm, shielding: no, connecting thread: M32 x 1.5, color: silver, with bend protection sleeve, with O-ring

Your advantages

- Weatherproof sealing material
- Halogen-free

Key Commercial Data

| | |
|--------------|---|
| Packing unit | 1 pc |
| GTIN |  4 055626 038155 |
| GTIN | 4055626038155 |

Technical data

Dimensions

| | |
|---------------------------------|------------------------------------|
| Length | 146 mm |
| Wrench size, union nut | 36 mm |
| Wrench size, support | 36 mm |
| Hexagon angular dimension | 40 mm |
| Length of the connecting thread | 8 mm |
| Feed-through hole diameter | 32.1 mm ... 32.3 mm |
| External cable diameter | 13 mm ... 21 mm |
| | 14.6 mm ... 19.5 mm (for UL 514 B) |

Ambient conditions

| | |
|---------------------------------|---------------------------------|
| Degree of protection (IP) | IP68 (5 bar / 0.5 h) |
| | IP69 (DIN EN 60529 / IEC 60529) |
| Ambient temperature (operation) | -40 °C ... 100 °C (static) |

General

Cable gland - G-INB-M32-M68N-NEPDS-S - 1415184

Technical data

General

| | |
|--------------------------------|---------------------------------|
| Type | with bend protection sleeve |
| No. of conductors | 1 |
| Cable gland material | Nickel-plated brass |
| Sealing material | EPDM (Cable seal, halogen-free) |
| Shielded | no |
| Thread type on connection side | M32 x 1.5 |
| Torque | 20 Nm (Union nut: EN 62444) |
| | 20 Nm (Support: EN 62444) |
| Color | silver |
| Impact category | 6 |
| Execution of the strain relief | A |
| Manufacturer | WISKA |
| Manufacturer Designation | EMSKVS 32 |

Standards and Regulations

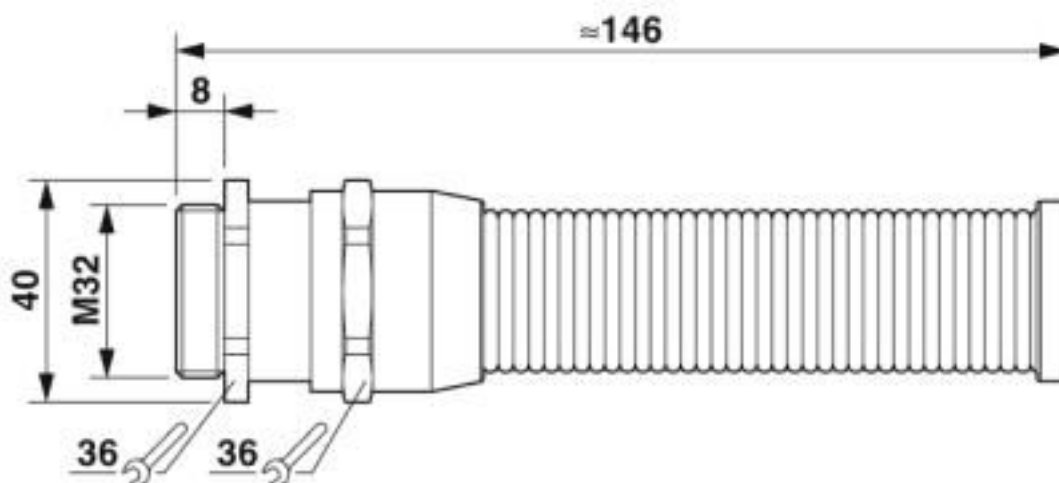
| | |
|--------------|-----|
| Halogen-free | yes |
|--------------|-----|

Environmental Product Compliance

| | |
|------------|---|
| REACH SVHC | Lead 7439-92-1 |
| China RoHS | Environmentally Friendly Use Period = 50 years |
| | For details about hazardous substances go to tab "Downloads", Category "Manufacturer's declaration" |

Drawings

Dimensional drawing



Cable gland - G-INB-M32-M68N-NEPDS-S - 1415184

Classifications

eCl@ss

| | |
|---------------|----------|
| eCl@ss 10.0.1 | 27144432 |
| eCl@ss 4.0 | 27141200 |
| eCl@ss 4.1 | 27141200 |
| eCl@ss 5.0 | 27149100 |
| eCl@ss 5.1 | 27149100 |
| eCl@ss 6.0 | 27149100 |
| eCl@ss 7.0 | 27149109 |
| eCl@ss 8.0 | 27149109 |
| eCl@ss 9.0 | 27144432 |

ETIM

| | |
|----------|----------|
| ETIM 5.0 | EC000441 |
| ETIM 6.0 | EC000441 |
| ETIM 7.0 | EC000441 |

UNSPSC

| | |
|-------------|----------|
| UNSPSC 13.2 | 39121311 |
| UNSPSC 18.0 | 39121311 |
| UNSPSC 19.0 | 39121311 |
| UNSPSC 20.0 | 39121311 |
| UNSPSC 21.0 | 39121311 |

Approvals

Approvals

Approvals

UL Recognized / cUL Recognized / GOST-R / cULus Recognized

Ex Approvals


Approval details

| | | | |
|---------------|---|---|---------|
| UL Recognized |  | http://database.ul.com/cgi-bin/XYV/template/LISEXT/1FRAME/index.htm | E179850 |
|---------------|---|---|---------|

| | | | |
|----------------|---|---|---------|
| cUL Recognized |  | http://database.ul.com/cgi-bin/XYV/template/LISEXT/1FRAME/index.htm | E179850 |
|----------------|---|---|---------|

Cable gland - G-INB-M32-M68N-NEPDS-S - 1415184

Approvals

| | | |
|--------|---|------------------------|
| GOST-R |  | POCC DE.A*98.H12052 |
|--------|---|------------------------|

| | |
|------------------|---|
| cULus Recognized |  |
|------------------|---|

Accessories

Accessories

Flat nut

Counter nut - A-INL-M32-N-S - 1411244



Counter nut, material: Brass, nickel-plated, for threads M32 x 1.5, color: silver

Phoenix Contact 2020 © - all rights reserved
<http://www.phoenixcontact.com>

PHOENIX CONTACT GmbH & Co. KG
Flachsmarktstr. 8
32825 Blomberg
Germany
Tel. +49 5235 300
Fax +49 5235 3 41200
<http://www.phoenixcontact.com>

X-ON Electronics

Largest Supplier of Electrical and Electronic Components

Click to view similar products for [Cable Mounting & Accessories](#) category:

Click to view products by [Phoenix Contact](#) manufacturer:

Other Similar products are found below :

[582603-1](#) [009333-000](#) [727844N003](#) [747](#) [809090N001](#) [843188-000](#) [8666](#) [967279N002](#) [DB-11](#) [1300840039](#) [1300900096](#) [1301800416](#)
[1302264450](#) [1300830184](#) [1300830729](#) [1300900039](#) [1301580036](#) [1301850553](#) [1301860939](#) [1302000074](#) [1302261315](#) [1302264431](#)
[1337706-2](#) [APA18-AK](#) [1724](#) [1-787307-1](#) [185491N001](#) [1868](#) [HP-6N](#) [C-202-C](#) [202C221-13-0](#) [CA7308-000](#) [8S23-75FR-CS8184](#) [2684](#) [9648](#)
[3089](#) [988382-000](#) [A72821-000](#) [AA401](#) [173506-000](#) [1823](#) [202C292-13-0](#) [202C302-13-0](#) [2109](#) [300625](#) [3330](#) [3412](#) [356247-1](#) [M9142](#)
[M9143](#)