

Cable gland - G-INTRO-M20-S68N-PEPDS-BK - 1415189

Please be informed that the data shown in this PDF Document is generated from our Online Catalog. Please find the complete data in the user's documentation. Our General Terms of Use for Downloads are valid (<http://phoenixcontact.com/download>)



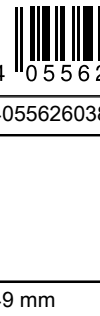
Cable gland, cable gland material: PA, material pressure screw: PA, external cable diameter 6 mm ... 13 mm, shielding: no, connecting thread: M20 x 1.5, color: jet black, with external strain relief

Your advantages

- Glow-wire test: 750°C
- Weatherproof sealing material
- Halogen-free



Key Commercial Data

Packing unit	10 pc
GTIN	 4 055626 038179
GTIN	4055626038179

Technical data

Dimensions

Length	49 mm
Length without connecting thread	39 mm
Wrench size, union nut	24 mm
Wrench size, support	24 mm
Hexagon angular dimension	27 mm
Length of the connecting thread	10 mm
Feed-through hole diameter	20.1 mm ... 20.2 mm
External cable diameter	6 mm ... 13 mm
	7.5 mm ... 11.3 mm (for UL 514 B)
Clamping range of the strain relief clip	6.00 mm ... 13.00 mm

Ambient conditions

Degree of protection (IP)	IP68 (5 bar / 0.5 h)
	IP69 (DIN EN 60529 / IEC 60529)

Cable gland - G-INTRO-M20-S68N-PEPDS-BK - 1415189

Technical data

Ambient conditions

Ambient temperature (operation)	-40 °C ... 100 °C (static)
---------------------------------	----------------------------

General

Type	with external strain relief
No. of conductors	1
Cable gland material	PA
Material, pressure screw	PA
Sealing material	EPDM (Cable seal, halogen-free)
Glow wire ignition temperature GWIT according to EN 60695-2-13	750.00
Shielded	no
Thread type on connection side	M20 x 1.5
Torque	4 Nm (Union nut: EN 62444)
	4 Nm (Support: EN 62444)
	0.5 Nm (Screw for clip)
Color	jet black
Impact category	2
Execution of the strain relief	B
Manufacturer	WISKA
Manufacturer Designation	ESKVZ 20

Standards and Regulations

Halogen-free	yes
--------------	-----

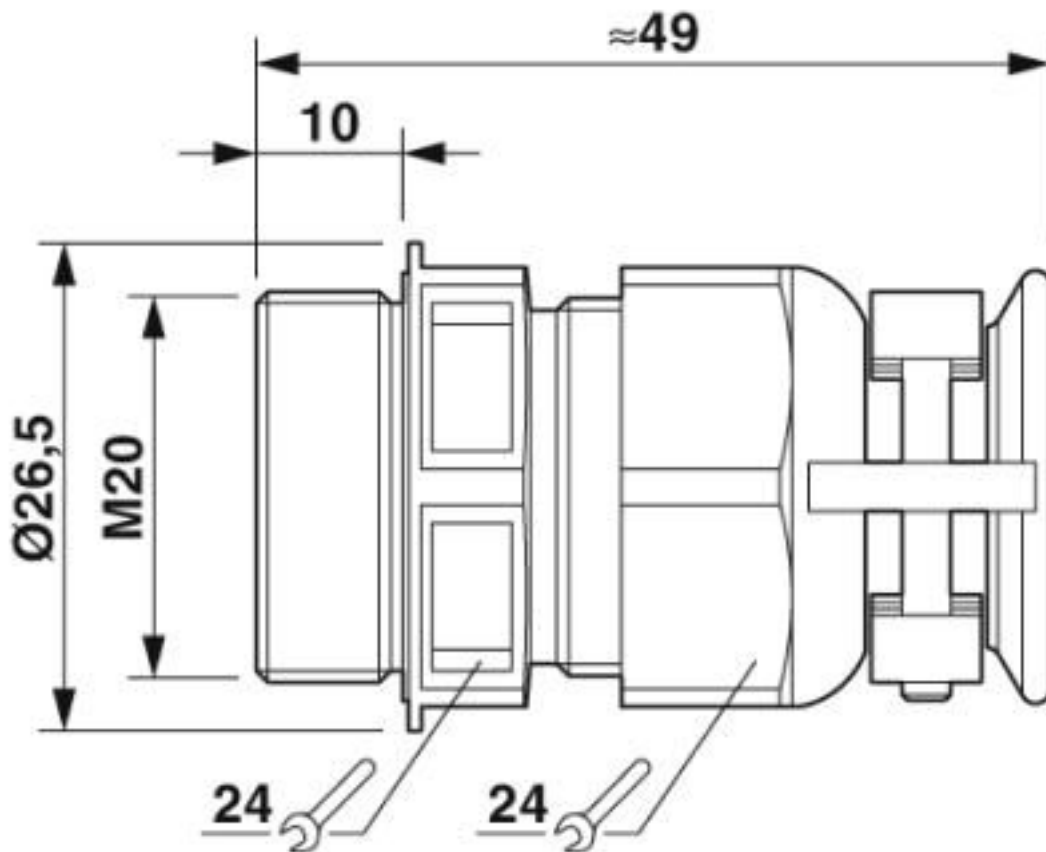
Environmental Product Compliance

China RoHS	Environmentally friendly use period: unlimited = EFUP-e
	No hazardous substances above threshold values

Drawings

Cable gland - G-INTRO-M20-S68N-PEPDS-BK - 1415189

Dimensional drawing



Classifications

eCl@ss

eCl@ss 10.0.1	27144432
eCl@ss 4.0	27141200
eCl@ss 4.1	27141200
eCl@ss 5.0	27149100
eCl@ss 5.1	27149100
eCl@ss 6.0	27149100
eCl@ss 7.0	27149109
eCl@ss 8.0	27149109
eCl@ss 9.0	27144432

ETIM

ETIM 5.0	EC000441
ETIM 6.0	EC000441
ETIM 7.0	EC000441

Cable gland - G-INTRO-M20-S68N-PEPDS-BK - 1415189

Classifications

UNSPSC

UNSPSC 13.2	39121311
UNSPSC 18.0	39121311
UNSPSC 19.0	39121311
UNSPSC 20.0	39121311
UNSPSC 21.0	39121311

Approvals

Approvals

Approvals

UL Recognized / cUL Recognized / GOST-R / cULus Recognized

Ex Approvals

Approval details

UL Recognized		http://database.ul.com/cgi-bin/XYV/template/LISEXT/1FRAME/index.htm	E179850
---------------	--	---	---------

cUL Recognized		http://database.ul.com/cgi-bin/XYV/template/LISEXT/1FRAME/index.htm	E179850
----------------	--	---	---------

GOST-R			POCC DE.A*98.H12052
--------	--	--	------------------------

cULus Recognized			
------------------	--	--	--

Accessories

Accessories

Flat nut

Cable gland - G-INTRO-M20-S68N-PEPDS-BK - 1415189

Accessories

Counter nut - A-INL-M20-P-BK - 1411215



Counter nut, material: PA, for threads M20 x 1.5, color: jet black RAL 9005

Phoenix Contact 2020 © - all rights reserved
<http://www.phoenixcontact.com>

PHOENIX CONTACT GmbH & Co. KG
Flachsmarktstr. 8
32825 Blomberg
Germany
Tel. +49 5235 300
Fax +49 5235 3 41200
<http://www.phoenixcontact.com>

X-ON Electronics

Largest Supplier of Electrical and Electronic Components

Click to view similar products for [Cable Mounting & Accessories](#) category:

Click to view products by [Phoenix Contact](#) manufacturer:

Other Similar products are found below :

[582603-1](#) [009333-000](#) [727844N003](#) [747](#) [809090N001](#) [843188-000](#) [8666](#) [967279N002](#) [DB-11](#) [1300840039](#) [1300900096](#) [1301800416](#)
[1302264450](#) [1300830184](#) [1300830729](#) [1300900039](#) [1301580036](#) [1301850553](#) [1301860939](#) [1302000074](#) [1302261315](#) [1302264431](#)
[1337706-2](#) [APA18-AK](#) [1724](#) [1-787307-1](#) [185491N001](#) [1868](#) [HP-6N](#) [C-202-C](#) [202C221-13-0](#) [CA7308-000](#) [8S23-75FR-CS8184](#) [2684](#) [9648](#)
[3089](#) [988382-000](#) [A72821-000](#) [AA401](#) [173506-000](#) [1823](#) [202C292-13-0](#) [202C302-13-0](#) [2109](#) [300625](#) [3330](#) [3412](#) [356247-1](#) [M9142](#)
[M9143](#)