


Screw plug - A-INSP-M32-65N-P-BK - 1415208

Please be informed that the data shown in this PDF Document is generated from our Online Catalog. Please find the complete data in the user's documentation. Our General Terms of Use for Downloads are valid (<http://phoenixcontact.com/download>)

Screw plug, material: PA, connecting thread: M32 x 1.5, color: jet black RAL 9005, with O-ring



Key Commercial Data

| | |
|------------------------|---|
| Packing unit | 10 pc |
| Minimum order quantity | 10 pc |
| GTIN |  4 055626 038537 |
| GTIN | 4055626038537 |

Technical data

Dimensions

| | |
|---------------------------------|------------------|
| Length | 12 mm |
| Connecting thread diameter | 32 mm |
| Hexagon angular dimension | 37 mm (Diameter) |
| Length of the connecting thread | 8 mm |

Ambient conditions

| | |
|---------------------------------|-------------------|
| Degree of protection (IP) | IP68 |
| | IP66 |
| Ambient temperature (operation) | -40 °C ... 100 °C |

General

| | |
|--------------------------------|--------------------|
| Material | PA |
| Sealing material | EPDM (O-ring) |
| Thread type on connection side | M32 x 1.5 |
| Torque | 2 Nm |
| Color | jet black RAL 9005 |
| Manufacturer | WISKA |
| Manufacturer Designation | EVSG-ORD 32 |

Screw plug - A-INSP-M32-65N-P-BK - 1415208

Technical data

Standards and Regulations

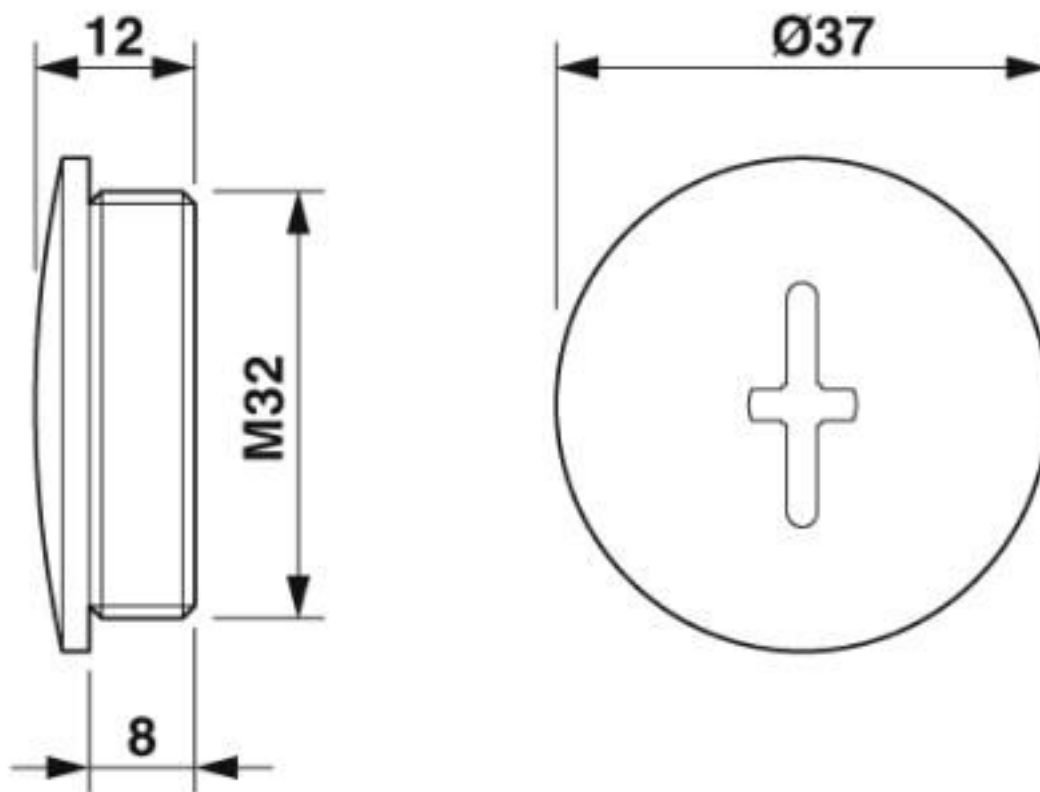
| | |
|--------------|-----|
| Halogen-free | yes |
|--------------|-----|

Environmental Product Compliance

| | |
|------------|---|
| China RoHS | Environmentally friendly use period: unlimited = EFUP-e |
| | No hazardous substances above threshold values |

Drawings

Dimensional drawing



Classifications

eCl@ss

| | |
|---------------|----------|
| eCl@ss 10.0.1 | 23111190 |
| eCl@ss 4.0 | 23111100 |
| eCl@ss 4.1 | 23111100 |
| eCl@ss 5.0 | 23111100 |
| eCl@ss 5.1 | 23111100 |
| eCl@ss 6.0 | 23111100 |
| eCl@ss 7.0 | 23111190 |

Screw plug - A-INSP-M32-65N-P-BK - 1415208

Classifications

eCl@ss

| | |
|------------|----------|
| eCl@ss 8.0 | 23111190 |
| eCl@ss 9.0 | 23111190 |

ETIM

| | |
|----------|----------|
| ETIM 4.0 | EC000032 |
| ETIM 5.0 | EC000032 |
| ETIM 6.0 | EC000032 |
| ETIM 7.0 | EC000032 |

UNSPSC

| | |
|-------------|----------|
| UNSPSC 13.2 | 31161501 |
| UNSPSC 18.0 | 31261502 |
| UNSPSC 19.0 | 31261502 |
| UNSPSC 20.0 | 31261502 |
| UNSPSC 21.0 | 31261502 |

Accessories

Accessories

Flat nut

Counter nut - A-INL-M32-P-BK - 1411217



Counter nut, material: PA, for threads M32 x 1.5, color: jet black RAL 9005

X-ON Electronics

Largest Supplier of Electrical and Electronic Components

Click to view similar products for [Conduit Fittings & Accessories](#) category:

Click to view products by [Phoenix Contact](#) manufacturer:

Other Similar products are found below :

[M3231GAB](#) [M3231GAC](#) [M3231GAE](#) [M3231GL](#) [M3231GT](#) [VC-937-16/RED](#) [VC-562-16/RED](#) [VC-1125-16/RED](#) [DM0240-1/2A](#) [3408B](#)
[G6002](#) [M4340GAE](#) [C2016-P](#) [C2012-P](#) [3407B](#) [1660-P](#) [561-87BG11BLK](#) [561-75BG11B](#) [1.533.1201.50](#) [1.533.1601.51](#) [BVNV-P428](#) [BVBV-](#)
[P366](#) [2276](#) [2663-P](#) [3405B](#) [C2070-P](#) [3582V](#) [2643-P](#) [4975](#) [2644-P](#) [2955](#) [M50](#) [2404-P](#) [C2008-P](#) [2723-P](#) [2291](#) [2133-P](#) [3048F](#) [VC12516](#)
[RC156-0500](#) [DM0523-1/2A](#) [1035A](#) [DMS0250-1A](#) [DMS0313-1A](#) [1040A](#) [1050A](#) [R1/8A](#) [DMPC0490-1/2A](#) [DMPC0521-1/2A](#) [DMPC0552-](#)
[1/2A](#) [1070A](#)