

Pressure compensation element - A-INB-M12-69KN-S-S - 1415224

Please be informed that the data shown in this PDF Document is generated from our Online Catalog. Please find the complete data in the user's documentation. Our General Terms of Use for Downloads are valid (<http://phoenixcontact.com/download>)



Pressure compensation element, cable gland material: Stainless steel 1.4305, connecting thread: M12 x 1.5, color: silver, with O-ring

Your advantages

- reduces the formation of condensation



Key Commercial Data

Packing unit	5 pc
GTIN	
GTIN	4055626038674

Technical data

Dimensions

Length	21 mm
Length without connecting thread	11 mm
Connecting thread diameter	12 mm
Wrench size, union nut	17 mm
Hexagon angular dimension	18.5 mm
Length of the connecting thread	10 mm

Ambient conditions

Degree of protection (IP)	IP66
	IP67
	IP69
Ambient temperature (operation)	-40 °C ... 105 °C

General

Cable gland material	Stainless steel 1.4305
Sealing material	Perbunan (O-ring)

Pressure compensation element - A-INB-M12-69KN-S-S - 1415224

Technical data

General

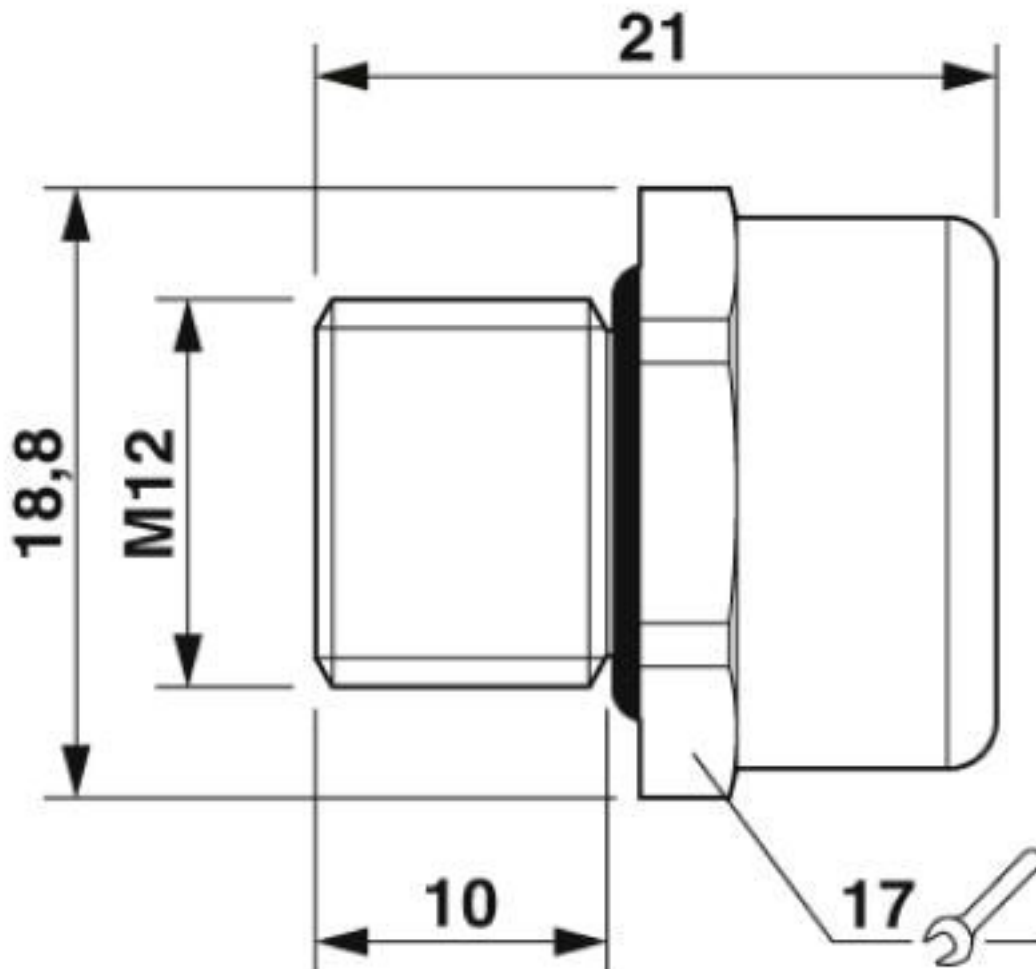
Thread type on connection side	M12 x 1.5
Torque	0.5 Nm ... 1 Nm (Flange)
Color	silver
Air flow rate	2.4 l/min (at 0.1 bar)

Environmental Product Compliance

China RoHS	Environmentally friendly use period: unlimited = EFUP-e
	No hazardous substances above threshold values

Drawings

Dimensional drawing



Pressure compensation element - A-INB-M12-69KN-S-S - 1415224

Classifications

eCl@ss

eCl@ss 10.0.1	27440192
eCl@ss 4.0	27378000
eCl@ss 4.1	27378000
eCl@ss 5.0	27379100
eCl@ss 5.1	27379100
eCl@ss 6.0	27379200
eCl@ss 7.0	27379201
eCl@ss 8.0	27379201
eCl@ss 9.0	27440192

ETIM

ETIM 5.0	EC002498
ETIM 6.0	EC002498
ETIM 7.0	EC002498

UNSPSC

UNSPSC 13.2	39121421
UNSPSC 18.0	39121421
UNSPSC 19.0	39121421
UNSPSC 20.0	39121421
UNSPSC 21.0	39121421

Accessories

Accessories

Flat nut

Counter nut - A-INL-M12-S-S - 1425175



Counter nut, material: Stainless steel 1.4305, for threads M12 x 1.5, color: silver

Phoenix Contact 2020 © - all rights reserved
<http://www.phoenixcontact.com>

PHOENIX CONTACT GmbH & Co. KG
Flachmarktstr. 8
32825 Blomberg
Germany
Tel. +49 5235 300
Fax +49 5235 3 41200
<http://www.phoenixcontact.com>

X-ON Electronics

Largest Supplier of Electrical and Electronic Components

Click to view similar products for [Cable Mounting & Accessories](#) category:

Click to view products by [Phoenix Contact](#) manufacturer:

Other Similar products are found below :

[582603-1](#) [009333-000](#) [727844N003](#) [747](#) [809090N001](#) [843188-000](#) [8666](#) [967279N002](#) [DB-11](#) [1300840039](#) [1300900096](#) [1301800416](#)
[1302264450](#) [1300830184](#) [1300830729](#) [1300900039](#) [1301580036](#) [1301850553](#) [1301860939](#) [1302000074](#) [1302261315](#) [1302264431](#)
[1337706-2](#) [APA18-AK](#) [1724](#) [1-787307-1](#) [185491N001](#) [1868](#) [HP-6N](#) [C-202-C](#) [202C221-13-0](#) [CA7308-000](#) [8S23-75FR-CS8184](#) [2684](#) [9648](#)
[3089](#) [988382-000](#) [A72821-000](#) [AA401](#) [173506-000](#) [1823](#) [202C292-13-0](#) [202C302-13-0](#) [2109](#) [300625](#) [3330](#) [3412](#) [356247-1](#) [M9142](#)
[M9143](#)