

## Module plate - MD-INB24-3-SZP-S - 1415242

Please be informed that the data shown in this PDF Document is generated from our Online Catalog. Please find the complete data in the user's documentation. Our General Terms of Use for Downloads are valid (<http://phoenixcontact.com/download>)

Module plate, with seal, for CES B24 sealing frames, with 3 openings, including mounting screws




### Product Description

Module plate  
8 mounting screws (M5x12) /  
and  
Washers are supplied as standard



### Key Commercial Data

Packing unit	1 pc
GTIN	 4 055626 039473
GTIN	4055626039473

### Technical data

#### Dimensions

Length	338 mm
Width	168 mm
Height	2 mm

#### Ambient conditions

Degree of protection	IP54
Ambient temperature (operation)	-40 °C ... 100 °C

#### General

Product description	Module plate 8 mounting screws (M5x12) / and Washers are supplied as standard
Material	Stainless steel 1.4301/AISI 304
	NBR (Seal)
Color	silver grey

# Module plate - MD-INB24-3-SZP-S - 1415242

## Technical data

### General

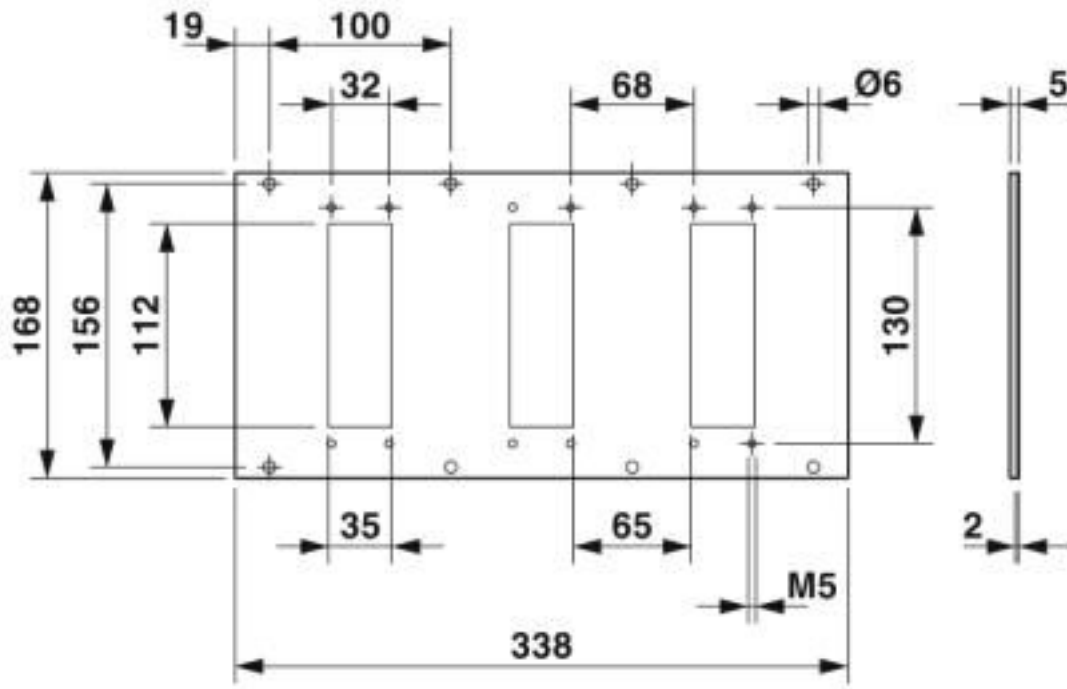
Seal present	yes
Torque	1 Nm ... 1.2 Nm (Mounting screw, M5)
Note	incl. mounting screws
Installation instructions	Diameter of fixing hole for self-tapping screw: 4.5 mm ... 4.7 mm, mounting screws (M5x12): 1.0 Nm ... 1.2 Nm tightening torque, SW4 Allen key
	Make sure the seal is fitted correctly (must not be squeezed out at the sides)

### Environmental Product Compliance

China RoHS	Environmentally friendly use period: unlimited = EFUP-e
	No hazardous substances above threshold values

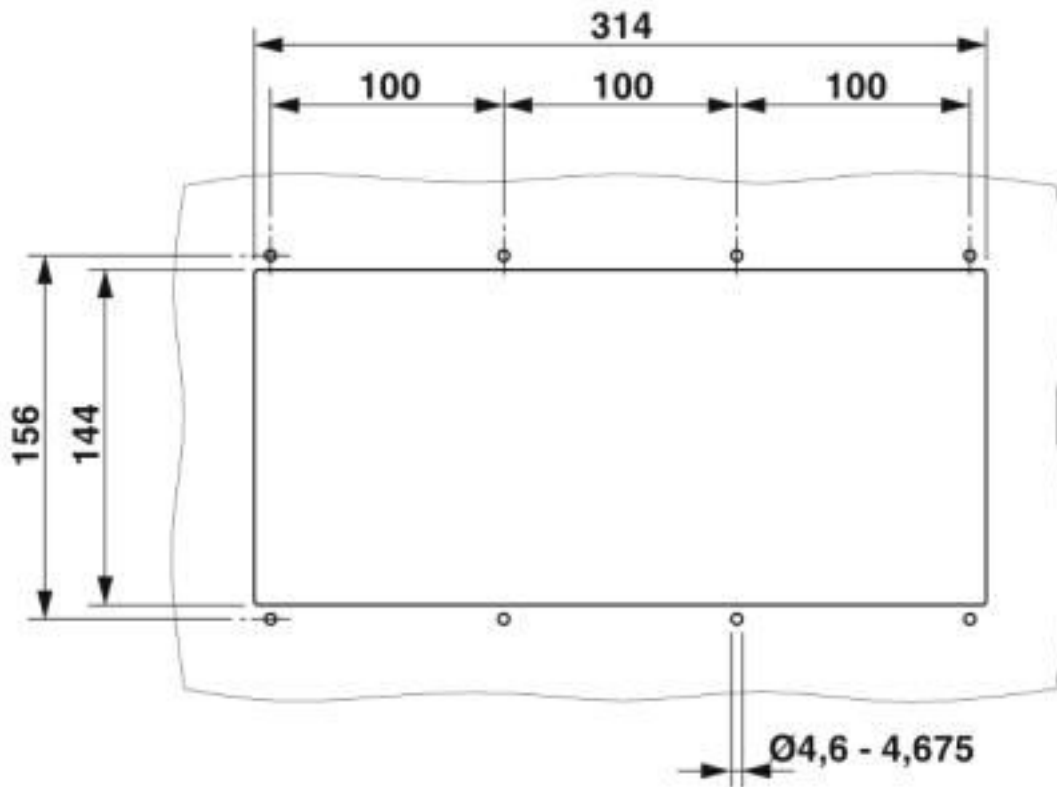
## Drawings

Dimensional drawing



# Module plate - MD-INB24-3-SZP-S - 1415242

Dimensional drawing



Wall cutout drawing

## Classifications

eCl@ss

eCl@ss 10.0.1	27440201
eCl@ss 4.0	27081000
eCl@ss 4.1	27081000
eCl@ss 5.0	27081000
eCl@ss 5.1	27081000
eCl@ss 6.0	27261200
eCl@ss 7.0	27440201
eCl@ss 8.0	27440201
eCl@ss 9.0	27440201

ETIM

ETIM 5.0	EC002309
ETIM 6.0	EC002309
ETIM 7.0	EC002309

## Module plate - MD-INB24-3-SZP-S - 1415242

### Classifications

#### UNSPSC

UNSPSC 13.2	31261501
UNSPSC 18.0	31261501
UNSPSC 19.0	31261501
UNSPSC 20.0	31261501
UNSPSC 21.0	31261501

Phoenix Contact 2020 © - all rights reserved  
<http://www.phoenixcontact.com>

PHOENIX CONTACT GmbH & Co. KG  
Flachsmarktstr. 8  
32825 Blomberg  
Germany  
Tel. +49 5235 300  
Fax +49 5235 3 41200  
<http://www.phoenixcontact.com>

## X-ON Electronics

Largest Supplier of Electrical and Electronic Components

*Click to view similar products for [Cable Mounting & Accessories](#) category:*

*Click to view products by [Phoenix Contact](#) manufacturer:*

Other Similar products are found below :

[582603-1](#) [009333-000](#) [727844N003](#) [747](#) [809090N001](#) [843188-000](#) [8666](#) [967279N002](#) [DB-11](#) [1300840039](#) [1300900096](#) [1301800416](#)  
[1302264450](#) [1300830184](#) [1300830729](#) [1300900039](#) [1301580036](#) [1301850553](#) [1301860939](#) [1302000074](#) [1302261315](#) [1302264431](#)  
[1337706-2](#) [APA18-AK](#) [1724](#) [1-787307-1](#) [185491N001](#) [1868](#) [HP-6N](#) [C-202-C](#) [202C221-13-0](#) [CA7308-000](#) [8S23-75FR-CS8184](#) [2684](#) [9648](#)  
[3089](#) [988382-000](#) [A72821-000](#) [AA401](#) [173506-000](#) [1823](#) [202C292-13-0](#) [202C302-13-0](#) [2109](#) [300625](#) [3330](#) [3412](#) [356247-1](#) [M9142](#)  
[M9143](#)