

Network cable - VS-PPC/ME-IP20-93C-LI/5,0 - 1416192


Please be informed that the data shown in this PDF Document is generated from our Online Catalog. Please find the complete data in the user's documentation. Our General Terms of Use for Downloads are valid (<http://phoenixcontact.com/download>)



Assembled PROFINET cable, CAT5e, shielded, star quad, AWG 22 flexible cable conduit capable (7-wire), RAL 6018 (yellow-green), RJ45 plug/IP67 push-pull metal housing on RJ45 plug/IP20, line, length 5 m

RoHS

Key Commercial Data

| | |
|--------------|---|
| Packing unit | 1 pc |
| GTIN |  4 046356 474689 |
| GTIN | 4046356474689 |

Technical data

Dimensions

| | |
|-----------------|--------|
| Length of cable | 5.00 m |
|-----------------|--------|

Ambient conditions

| | |
|----------------------|------|
| Degree of protection | IP20 |
| | IP67 |

General data

| | |
|---|----------------|
| Number of positions | 4 |
| Overvoltage category | I |
| Degree of pollution | 2 |
| Alternative short product description | PROFINET cable |
| Degree of protection | IP67/IP20 |
| Transmission characteristics (category) | CAT5 |

Characteristics head 1

| | |
|------------------------|----------------|
| Material (component) | Metal |
| Shielded | yes |
| Outer sheath, material | PUR |
| External sheath, color | green RAL 6018 |

Network cable - VS-PPC/ME-IP20-93C-LI/5,0 - 1416192

Technical data

Characteristics head 2

| | |
|----------------------|---------|
| Material (component) | Plastic |
|----------------------|---------|

Standards and Regulations

| | |
|--|----|
| Flammability rating according to UL 94 | V0 |
|--|----|

Cable

| | |
|---|--|
| Product labeling | "sequential length in metres" PN-CABLE-934-C / PUR-4X22AWG/7 Trailing * 22AWG (SHIELDED) (UL) E119100 CMX 75°C VERIFIED (UL) CAT 5E PATCH CABLE FRNC * (Cable printing cable supplier) |
| Cable type | PROFINET drag chain CAT5 |
| Cable type (abbreviation) | 93C |
| Signal type/category | PROFINET CAT5 (IEC 11801), 100 Mbps |
| | EtherCAT® CAT5 (IEC 11801), 100 Mbps |
| Cable structure | 1x4xAWG22/7; SF/TQ |
| Conductor cross section | 4x 0.34 mm ² |
| AWG signal line | 22 |
| Conductor structure signal line | 7x 0.25 mm |
| Core diameter including insulation | 1.5 mm |
| Wire colors | White, yellow, blue, orange |
| Overall twist | Star quad |
| Shielding | Aluminum-coated foil, tinned copper braided shield |
| Optical shield covering | 85 % |
| External sheath, color | green RAL 6018 |
| Outer sheath thickness | approx. 0.9 mm |
| External cable diameter D | 6.5 mm ±0.2 mm |
| Minimum bending radius, fixed installation | 5 x D |
| Minimum bending radius, flexible installation | 7.5 x D |
| Number of bending cycles | 3000000 |
| Bending radius | 100 mm |
| Traversing path | 10 m |
| Traversing rate | 4 m/s |
| Acceleration | 4 m/s ² |
| Torsion force | ± 30 °/m |
| Tensile strength GRP | ≤ 150 N |
| Cable weight | 61 kg/km |
| Outer sheath, material | PUR |
| Material, inner sheath | FRNC |
| Material conductor insulation | PE |
| Conductor material | Tin-plated Cu litz wires |
| Insulation resistance | ≥ 500 MΩ*km |
| Loop resistance | ≤ 120.00 Ω/km |
| Wave impedance | 100 Ω ±15 Ω (at 1 ... 100 MHz) |

Network cable - VS-PPC/ME-IP20-93C-LI/5,0 - 1416192

Technical data

Cable

| | |
|---|---|
| Near end crosstalk attenuation (NEXT) | 80 dB (with 1 MHz) |
| | 76 dB (at 4 MHz) |
| | 70 dB (at 10 MHz) |
| | 65 dB (at 16 MHz) |
| | 63 dB (at 20 MHz) |
| | 60 dB (at 31.25 MHz) |
| | 55 dB (at 62.5 MHz) |
| | 50 dB (at 100 MHz) |
| Attenuation | 2.1 dB (with 1 MHz) |
| | 4 dB (at 4 MHz) |
| | 6.3 dB (at 10 MHz) |
| | 8 dB (at 16 MHz) |
| | 9 dB (at 20 MHz) |
| | 11.4 dB (at 31.25 MHz) |
| | 16.5 dB (at 62.5 MHz) |
| | 21.3 dB (at 100 MHz) |
| Signal speed | 0.66 c |
| Signal runtime | 5.3 ns/m |
| Coupling resistance | ≤ 20.00 mΩ/m (at 10 MHz) |
| Nominal voltage, cable | 600 V (UL rating) |
| Test voltage Core/Core | 2000 V (50 Hz, 1 min.) |
| Test voltage Core/Shield | 2000 V (50 Hz, 1 min.) |
| Special properties | Electrical properties according to EN 50288-2-2 |
| Flame resistance | according to IEC 60332-1-2 |
| Halogen-free | yes |
| Resistance to oil | in accordance with DIN EN 60811-2-1 |
| Other resistance | UV resistant |
| Ambient temperature (operation) | -40 °C ... 70 °C (cable, fixed installation) |
| | -40 °C ... 70 °C (cable, flexible installation) |
| Ambient temperature (installation) | -20 °C ... 60 °C |
| Ambient temperature (storage/transport) | -50 °C ... 70 °C |

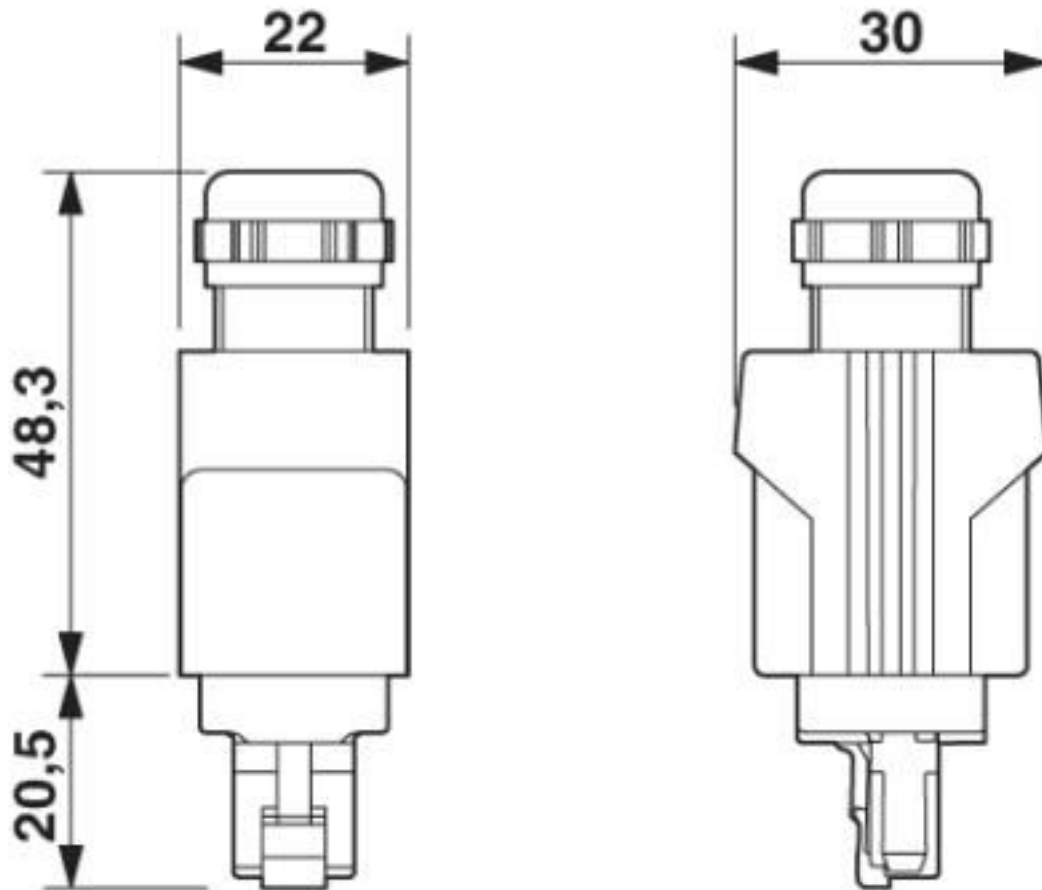
Environmental Product Compliance

| | |
|------------|---|
| REACH SVHC | Lead 7439-92-1 |
| China RoHS | Environmentally Friendly Use Period = 50 years |
| | For details about hazardous substances go to tab "Downloads", Category "Manufacturer's declaration" |

Drawings

Network cable - VS-PPC/ME-IP20-93C-LI/5,0 - 1416192

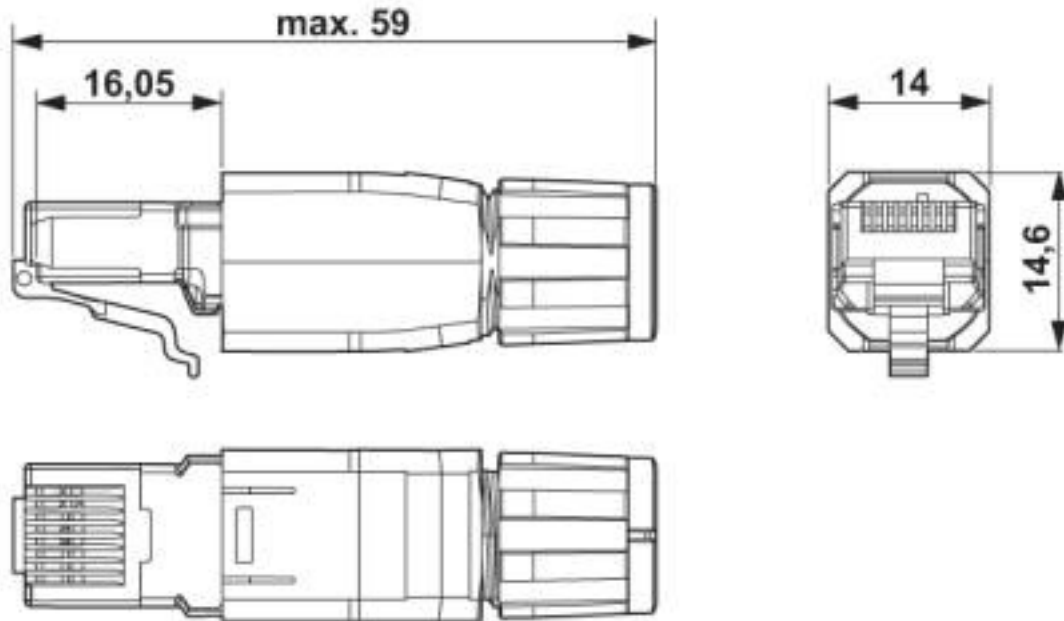
Dimensional drawing



Push-pull RJ45 connector IP65/67

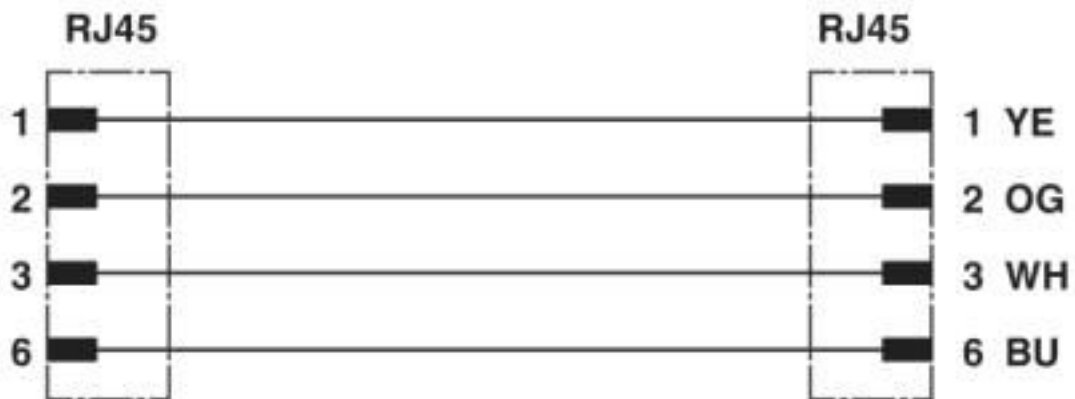
Network cable - VS-PPC/ME-IP20-93C-LI/5,0 - 1416192

Dimensional drawing



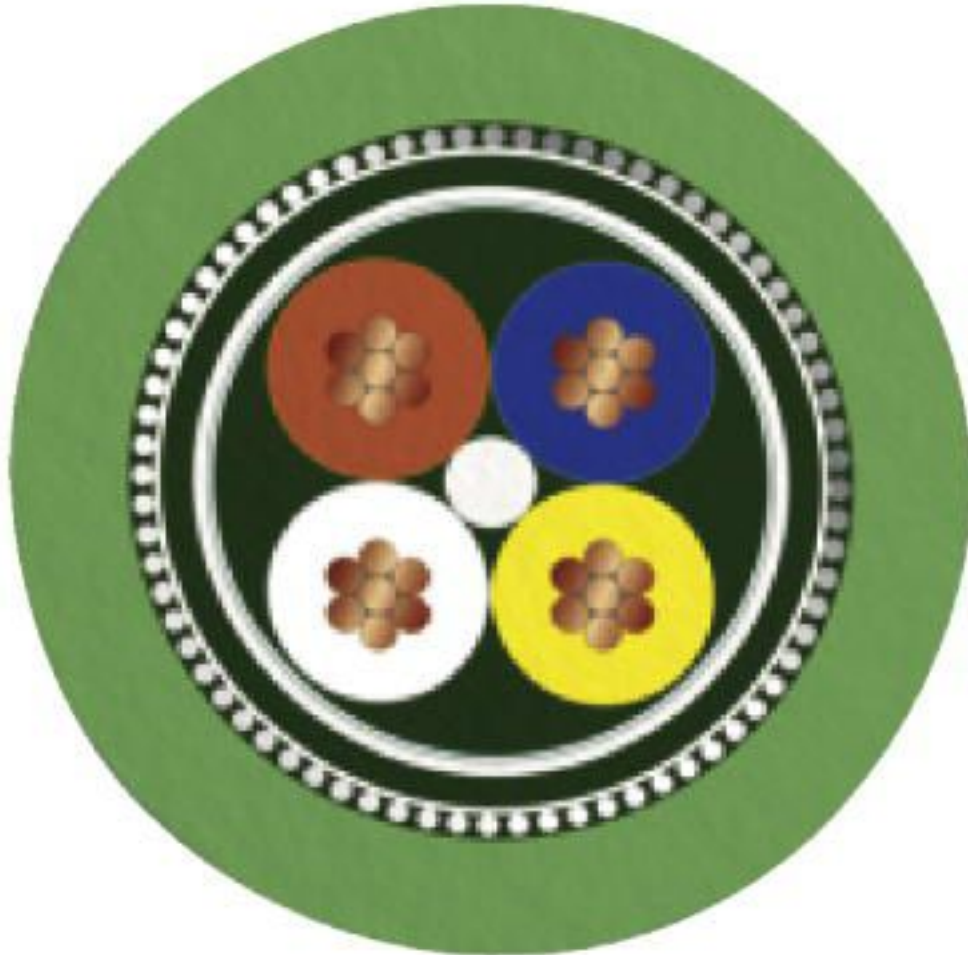
RJ45 connector, IP20

Circuit diagram



Network cable - VS-PPC/ME-IP20-93C-LI/5,0 - 1416192

Cable cross section



PROFINET drag chain CAT5 [93C]

Classifications

eCl@ss

| | |
|---------------|----------|
| eCl@ss 10.0.1 | 27060308 |
| eCl@ss 4.0 | 24010400 |
| eCl@ss 4.1 | 24010400 |
| eCl@ss 5.0 | 19030300 |
| eCl@ss 5.1 | 19030300 |
| eCl@ss 6.0 | 27061800 |
| eCl@ss 7.0 | 27060308 |
| eCl@ss 8.0 | 27060308 |
| eCl@ss 9.0 | 27060308 |

Network cable - VS-PPC/ME-IP20-93C-LI/5,0 - 1416192

Classifications

ETIM

| | |
|----------|----------|
| ETIM 3.0 | EC000830 |
| ETIM 4.0 | EC002599 |
| ETIM 5.0 | EC002599 |
| ETIM 6.0 | EC001262 |
| ETIM 7.0 | EC001262 |

UNSPSC

| | |
|---------------|----------|
| UNSPSC 6.01 | 26121616 |
| UNSPSC 7.0901 | 26121616 |
| UNSPSC 11 | 26121604 |
| UNSPSC 12.01 | 31261501 |
| UNSPSC 13.2 | 26121604 |
| UNSPSC 18.0 | 26121604 |
| UNSPSC 19.0 | 26121604 |
| UNSPSC 20.0 | 26121604 |
| UNSPSC 21.0 | 26121604 |

Approvals

Approvals

Approvals

EAC

Ex Approvals

Approval details

| | | |
|-----|---|----------|
| EAC |  | 19060508 |
|-----|---|----------|

X-ON Electronics

Largest Supplier of Electrical and Electronic Components

Click to view similar products for [Ethernet Cables / Networking Cables](#) category:

Click to view products by [Phoenix Contact](#) manufacturer:

Other Similar products are found below :

[73-6670-7](#) [73-6680-15](#) [73-7797-25](#) [MCJB2-10P6Q7-120](#) [84909-0204](#) [1200700174](#) [1200860368](#) [E16A06002M030](#) [E200102-009-S1](#)
[AX105346-EW](#) [MT14-187L](#) [17-103530](#) [ERWPAB3002M005](#) [190-038045-01](#) [NK5EPC18RDY](#) [NK5EPC18VLY](#) [NK5EPC18YLY](#)
[NK5EPC1GRY](#) [NK5EPC4Y](#) [NK5EPC6YLY](#) [NK5EPC8BLY](#) [NK5EPC9YLY](#) [1969343-6](#) [C501100010](#) [C501106002](#) [C501106007](#)
[C501106015](#) [C501106025](#) [C601102010](#) [C601104010](#) [C601106007](#) [C601106015](#) [2142758-2](#) [2168427-2](#) [CAT1106007](#) [21949-1](#) [2J1866A](#)
[RJF SFTP 5E 0500](#) [AX100351](#) [MN14CEC/ST](#) [C501100015](#) [C501106004](#) [C501106010](#) [C5F1108007](#) [C601104004](#) [C601106004](#)
[CA21106004](#) [CA21106010](#) [CA21106015](#) [CA21109007](#)