

# Connector set - HC-STA-B10PT-BWSC-LT-M25-ELCAL - 1416345


Please be informed that the data shown in this PDF Document is generated from our Online Catalog. Please find the complete data in the user's documentation. Our General Terms of Use for Downloads are valid (<http://phoenixcontact.com/download>)



Connector set, number of positions: 10, material: Die-cast aluminum, salt water resistant, connection method: Push-in connection, connection cross section: AWG 26- 14



## Key Commercial Data

|              |   |
|--------------|---|
| Packing unit | 1 pc  |
| GTIN         | <br>4 055626 069883 |
| GTIN         | 4055626069883   |

## Technical data

### General

|                                  |   |
|----------------------------------|---|
| Number of positions              | 10+PE   |
| Type                             | B10   |
| Connection method                | Push-in connection  |
| Degree of protection for housing | IP66  |
|                                  | IP67  |
| Connection method                | Push-in connection  |
| Rated voltage (III/3)            | 500 V   |
| Rated surge voltage              | 6 kV  |
| Rated current                    | 16 A  |
| Conductor cross section          | 0.14 mm <sup>2</sup> ... 2.5 mm <sup>2</sup> (with ferrule) |
| Connection cross section AWG     | 26 ... 14   |
| External cable diameter          | 11 mm ... 17 mm   |
| Ambient temperature (operation)  | -40 °C ... 100 °C   |
| Length of the assembly cutout    | 65 mm   |
| Width of the assembly cutout     | 35 mm   |
| Housing material                 | Die-cast aluminum, salt water resistant                     |
| Contact carrier material         | PC  |

# Connector set - HC-STA-B10PT-BWSC-LT-M25-ELCAL - 1416345

## Technical data

### General

|                             |     |
|-----------------------------|-----|
| Locking latch material      | PA  |
| Integrated protective cover | Yes |

### Standards and Regulations

|  |    |
|--|----|
| Flammability rating according to UL 94 | V0 |
|--|----|

### Environmental Product Compliance

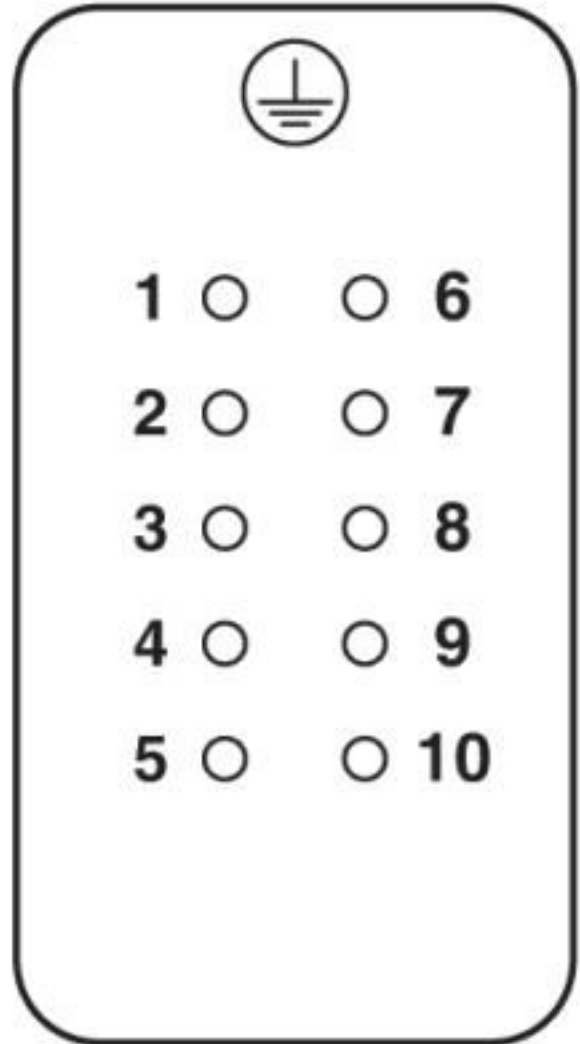
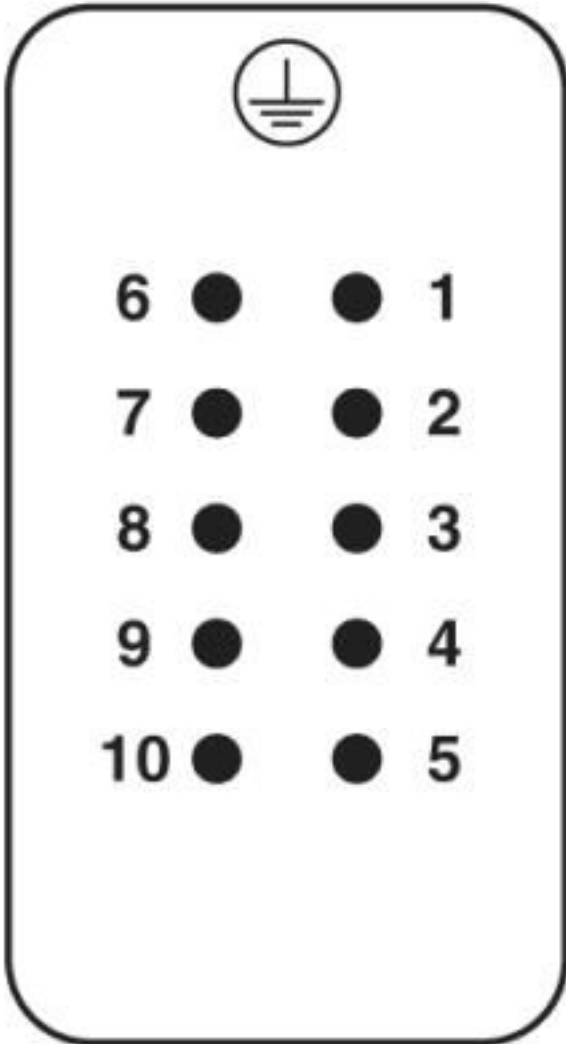
|            |   |
|------------|---|
| REACH SVHC | Lead 7439-92-1  |
| China RoHS | Environmentally Friendly Use Period = 50 years  |
|            | For details about hazardous substances go to tab "Downloads", Category "Manufacturer's declaration" |

## Drawings

# Connector set - HC-STA-B10PT-BWSC-LT-M25-ELCAL - 1416345

Schematic diagram

Schematic diagram

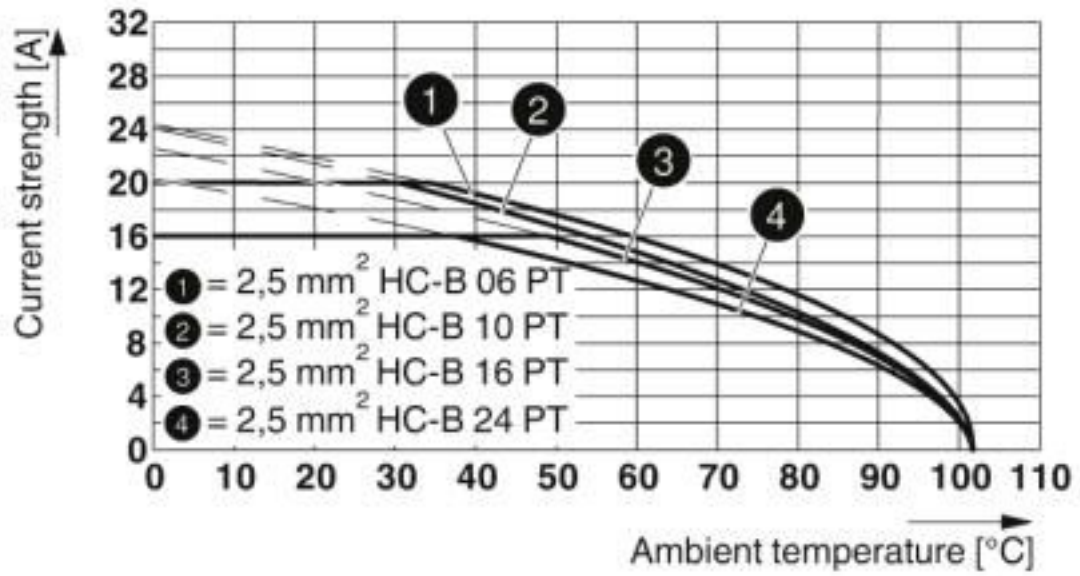


Pin assignment, connection side, pin

Pin assignment, connection side, socket

# Connector set - HC-STA-B10PT-BWSC-LT-M25-ELCAL - 1416345

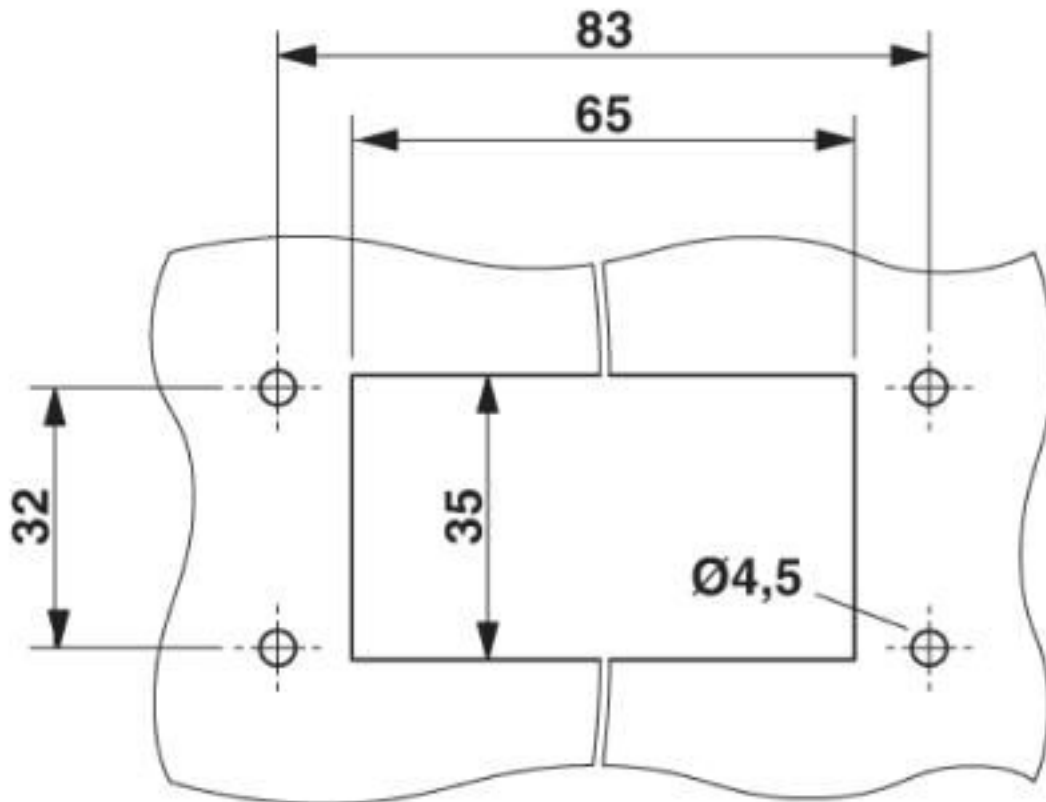
Diagram



Derating diagram

# Connector set - HC-STA-B10PT-BWSC-LT-M25-ELCAL - 1416345

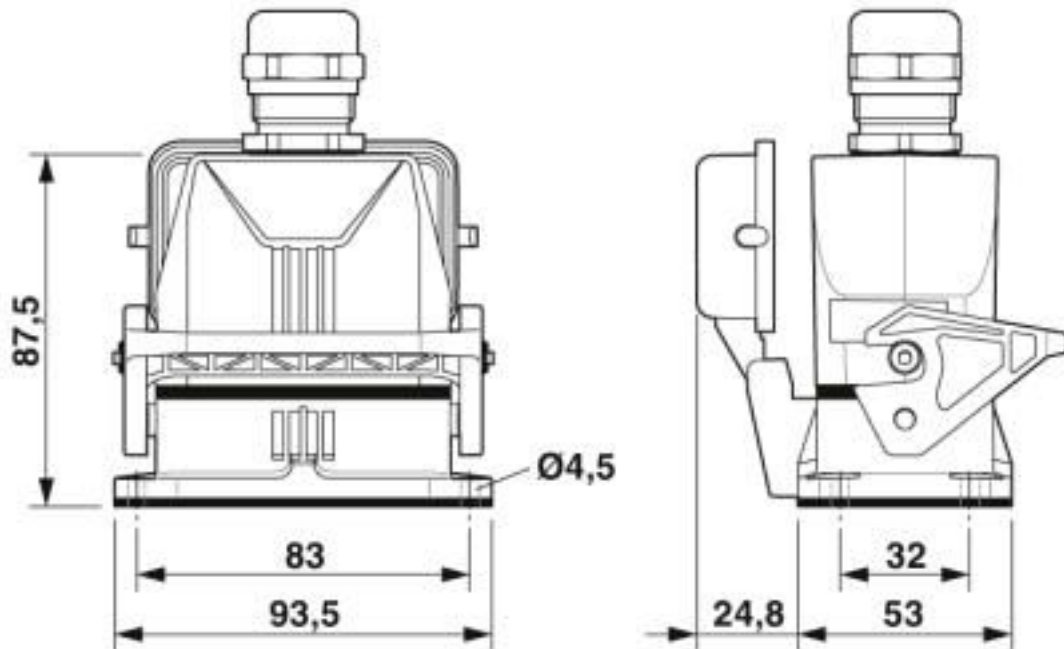
Dimensional drawing



Mounting cutout

## Connector set - HC-STA-B10PT-BWSC-LT-M25-ELCAL - 1416345

Dimensional drawing



Dimensional drawing

### Articles in set

Contact insert - HC-B10-I-PT-F - 1407729



HEAVYCON socket insert, B10 series, 10 + PE-pos., push-in connection

Contact insert - HC-B10-I-PT-M - 1407730



HEAVYCON pin insert, B10 series, 10 + PE-pos., push-in connection

Housing - HC-STA-B10-BWSC-ELC-AL - 1411321



HEAVYCON panel mounting base, B10, with single locking latch, with plastic protective cover, with flat gasket, salt-water-resistant aluminum, conductive profile gasket.

# Connector set - HC-STA-B10PT-BWSC-LT-M25-ELCAL - 1416345

## Articles in set

### Housing - HC-STA-B10-HLFS-1TTM25-EL-AL - 1412630



Sleeve housing B10, for single locking latch, material: Die-cast aluminum, salt water resistant, cable outlets: 1, straight, height: 57 mm, cable gland: none, support sleeve: no, 1x M25, Standard

### Cable gland - G-INS-M25-M68N-NNES-S - 1411165



Cable gland, cable gland material: Nickel-plated brass, external cable diameter 11 mm ... 17 mm, shielding: no, connecting thread: M25 x 1.5, color: silver, with O-ring

## Classifications

### eCl@ss

|               |          |
|---------------|----------|
| eCl@ss 10.0.1 | 27440101 |
| eCl@ss 4.0    | 27260700 |
| eCl@ss 4.1    | 27260700 |
| eCl@ss 5.0    | 27260700 |
| eCl@ss 5.1    | 27260700 |
| eCl@ss 6.0    | 27260700 |
| eCl@ss 7.0    | 27440101 |
| eCl@ss 8.0    | 27440101 |
| eCl@ss 9.0    | 27440101 |

### ETIM

|          |          |
|----------|----------|
| ETIM 5.0 | EC002636 |
| ETIM 6.0 | EC002636 |
| ETIM 7.0 | EC002636 |

### UNSPSC

|             |          |
|-------------|----------|
| UNSPSC 13.2 | 39121409 |
| UNSPSC 18.0 | 39121409 |
| UNSPSC 19.0 | 39121409 |
| UNSPSC 20.0 | 39121409 |
| UNSPSC 21.0 | 39121409 |

# Connector set - HC-STA-B10PT-BWSC-LT-M25-ELCAL - 1416345

## Approvals

### Approvals

---

#### Approvals

EAC / DNV GL / EAC

---

#### Ex Approvals

---

### Approval details

|     |  |  |                          |
|-----|--|--|--------------------------|
| EAC |  |  | RU C-<br>DE.AI30.B.01102 |
|-----|--|--|--------------------------|

|        |  |   |            |
|--------|--|---|------------|
| DNV GL |  | <a href="https://approvalfinder.dnvgl.com/">https://approvalfinder.dnvgl.com/</a> | TAE000037S |
|--------|--|---|------------|

|     |  |  |                          |
|-----|--|--|--------------------------|
| EAC |  |  | RU C-<br>DE.BL08.B.00511 |
|-----|--|--|--------------------------|

---

Phoenix Contact 2020 © - all rights reserved  
<http://www.phoenixcontact.com>

PHOENIX CONTACT GmbH & Co. KG  
Flachsmarktstr. 8  
32825 Blomberg  
Germany  
Tel. +49 5235 300  
Fax +49 5235 3 41200  
<http://www.phoenixcontact.com>



## X-ON Electronics

Largest Supplier of Electrical and Electronic Components

*Click to view similar products for [Heavy Duty Power Connectors](#) category:*

*Click to view products by [Phoenix Contact](#) manufacturer:*

Other Similar products are found below :

[647757-1](#) [6643411-1](#) [6646058-2](#) [6646137-1](#) [6646138-1](#) [6646479-1](#) [6646608-1](#) [6646786-1](#) [6646940-1](#) [6651091-1](#) [6651525-1](#) [6651529-1](#)  
[6651788-1](#) [696475-1](#) [702-32-01109](#) [703-25-02205](#) [73000005059](#) [73000005642](#) [73080965046](#) [765-15-0080A](#) [765-16-0080B](#) [765-18-0080D](#)  
[829992-1](#) [902-77-02113](#) [PS00/A0620/6300](#) [129-1J](#) [1409400](#) [AN0024023](#) [E6374G1](#) [e6389g2](#) [157-43GW8](#) [MS3117-14AC](#) [1643543-1](#)  
[1650540-1](#) [1651811-2](#) [1766260-1](#) [1766282-1](#) [1766966-1](#) [1791340000](#) [NLDFT-3-BL-L-S120-M40A](#) [NLDFT-N-W-L-C240-M40B](#) [NLS-2-R-](#)  
[C240-M40B](#) [NLS-N-W-C240-M40B](#) [NPS-3-BL-T6](#) [1986615-1](#) [2-1589900-8](#) [2199314-1](#) [KA8102](#) [9300480317](#) [SBS50BRN#6](#)