

FO transceiver - SACFO-T-MNNA-M16-650-S - 1416716

Please be informed that the data shown in this PDF Document is generated from our Online Catalog. Please find the complete data in the user's documentation. Our General Terms of Use for Downloads are valid (<http://phoenixcontact.com/download>)



M12 FO transceiver, duplex, wavelength: 650 nm for 125 Mbps, for POF and PCF fiber, for PCB mounting, M16 fastening thread, with sealing cap, including I²C interface for transceiver monitoring and management

M12 OPTIC transceiver for POF and PCF

Product Description

M12 OPTIC transceiver, 650 nm, 125 Mbps


Your advantages

- ✓ for data rates of up to 125 Mbps
- ✓ robust metal housing
- ✓ Pin connector pattern in accordance with DIN/IEC 61754-27
- ✓ I²C management interface
- ✓ Signal Detect (SD) output
- ✓ PECL inputs/outputs
- ✓ -4 dBm output power
- ✓ -20 dBm receiver sensitivity



Ethernet

Key Commercial Data

Packing unit	1 pc
GTIN	 4 046356 480819
GTIN	4046356480819

Technical data

Mechanical characteristics

Connection method	M12
Number of slots	2
Weight	46.5 g
Flammability rating according to UL 94	V0

Ambient conditions

FO transceiver - SACFO-T-MNNA-M16-650-S - 1416716

Technical data

Ambient conditions

Ambient temperature (operation)	-40 °C ... 85 °C
Ambient temperature (assembly)	-5 °C ... 55 °C
Ambient temperature (storage/transport)	-40 °C ... 85 °C

Material data

Housing material	Metal
------------------	-------

Standards and Regulations

Flammability rating according to UL 94	V0
--	----

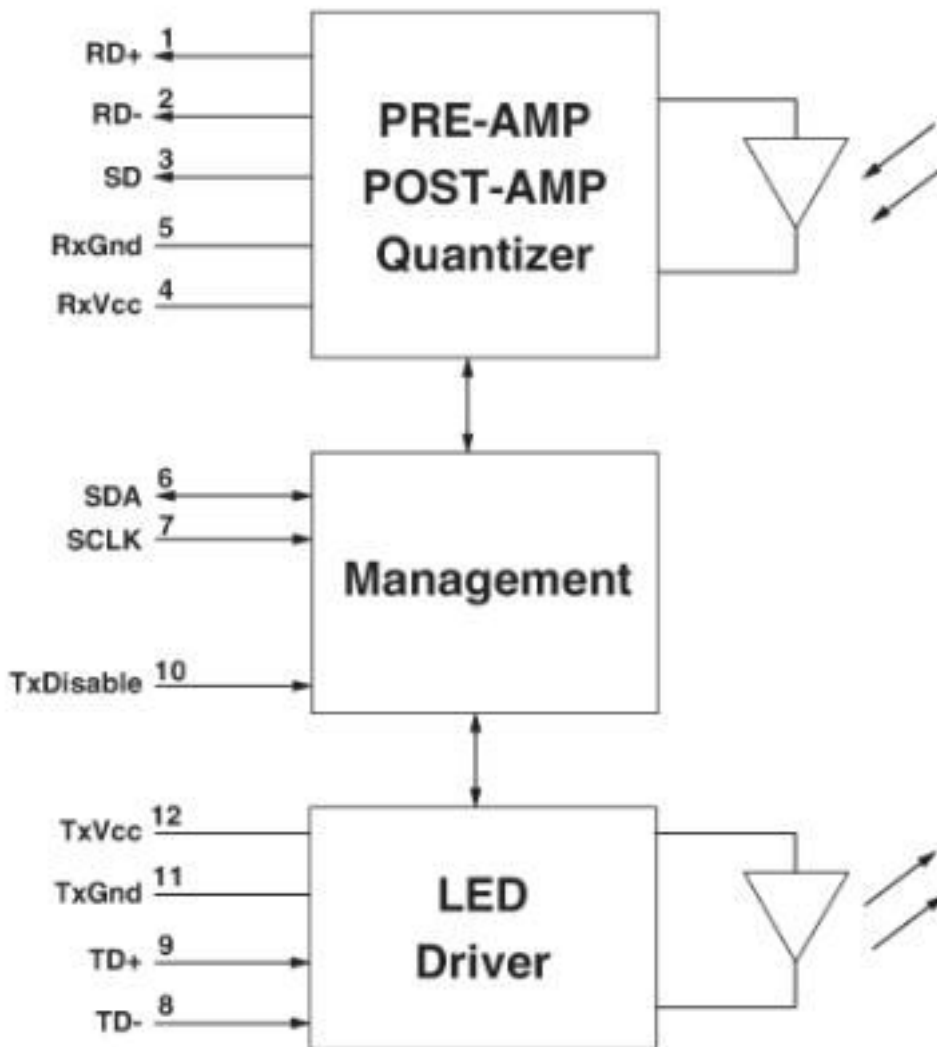
Environmental Product Compliance

China RoHS	Environmentally friendly use period: unlimited = EFUP-e
	No hazardous substances above threshold values

Drawings

FO transceiver - SACFO-T-MNNA-M16-650-S - 1416716

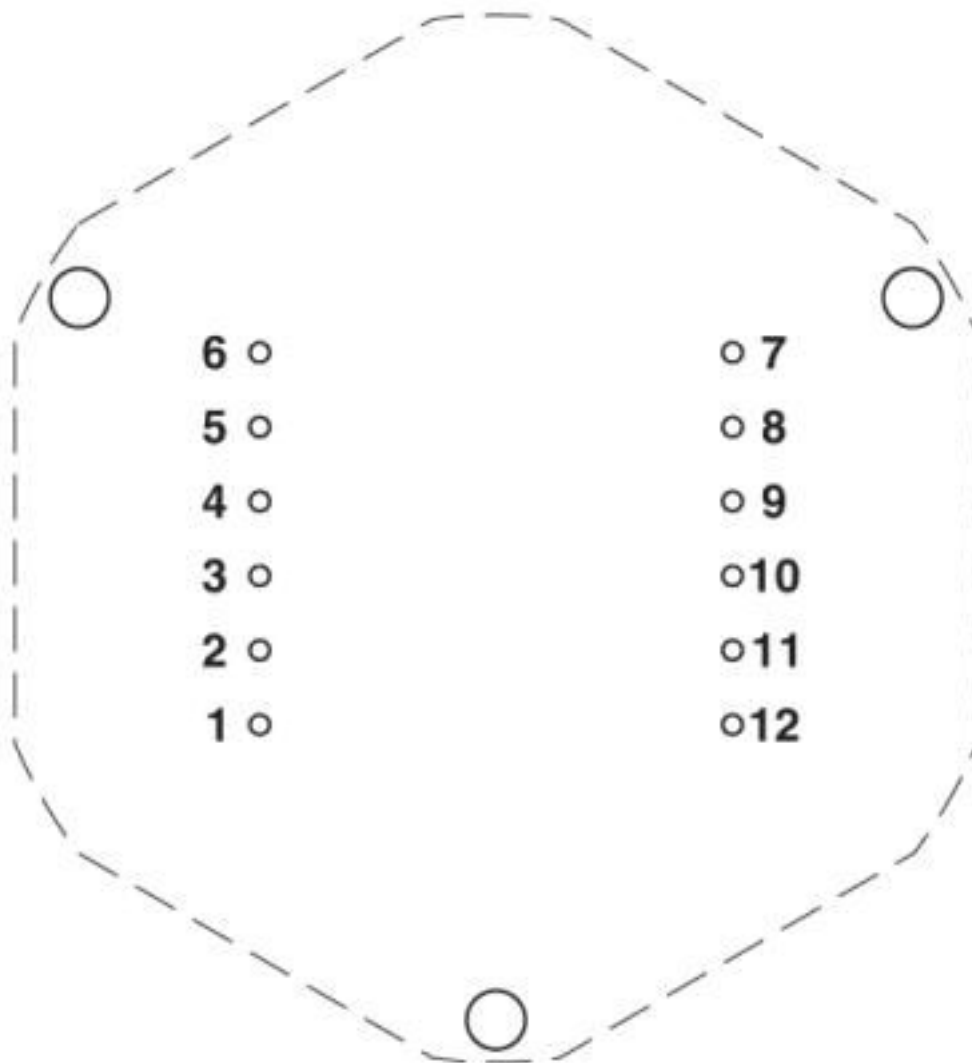
Block diagram



Transceiver block diagram

FO transceiver - SACFO-T-MNNA-M16-650-S - 1416716

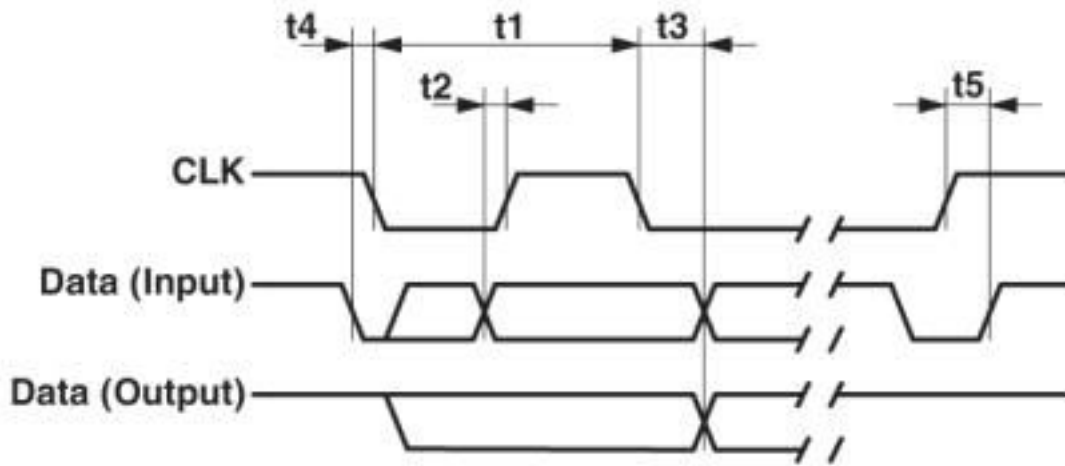
Schematic diagram



Pin assignment, component mounting side view

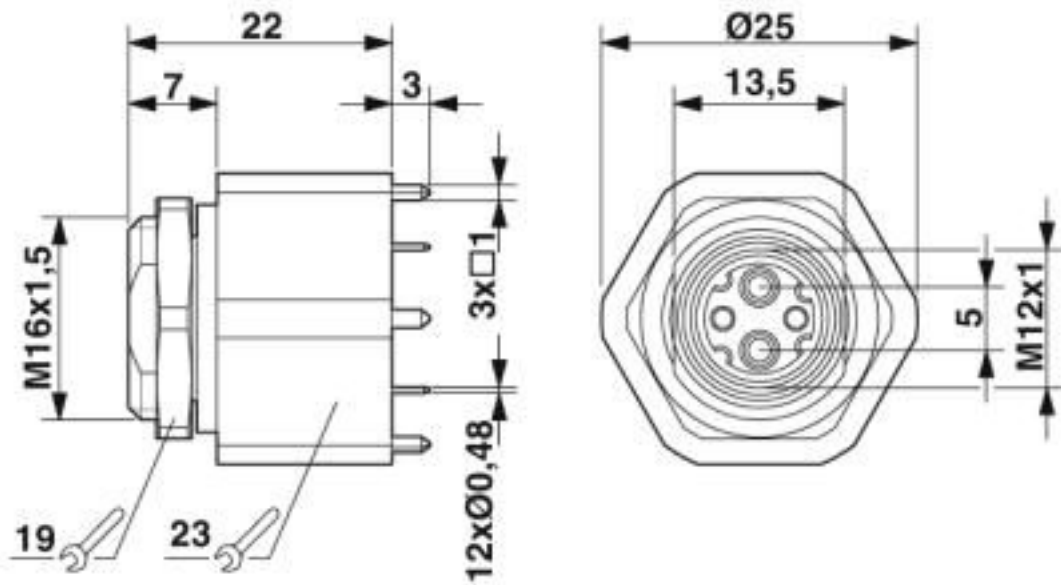
FO transceiver - SACFO-T-MNNA-M16-650-S - 1416716

Diagram



I2C bus timing

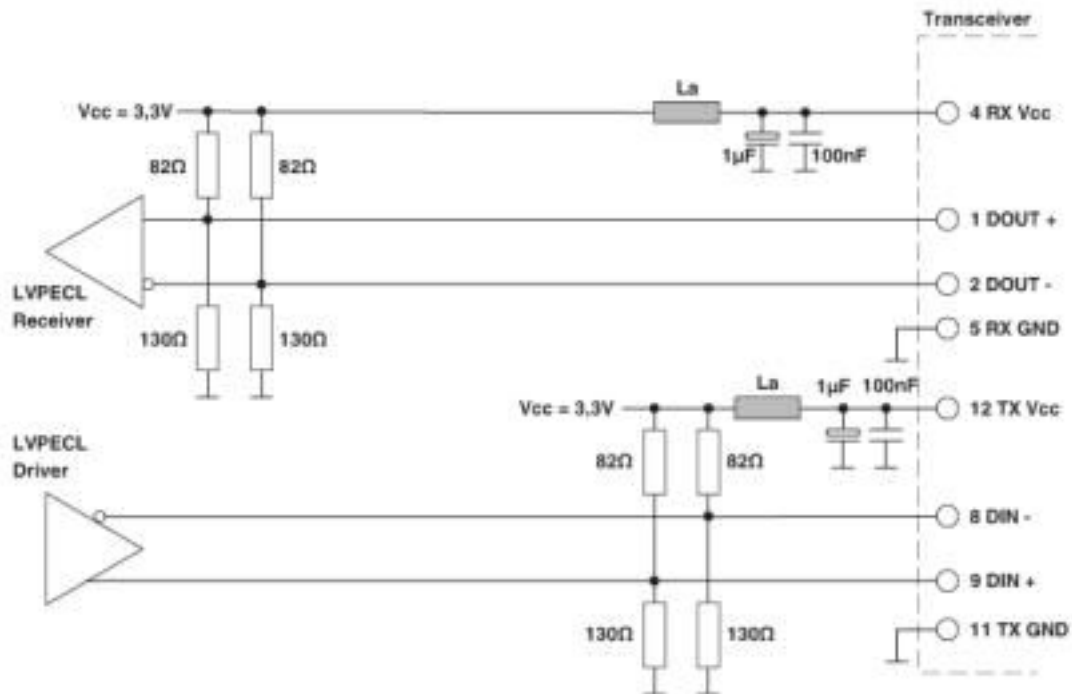
Dimensional drawing



Housing dimensions

FO transceiver - SACFO-T-MNNA-M16-650-S - 1416716

Circuit diagram



External wiring of the transceiver.

Ferrite coil La:

Typical impedance of 120 Ohm at 100 MHz,

Maximum DC resistance of 0.15 Ohm at 200 mA

Classifications

eCl@ss

eCl@ss 10.0.1	19170122
eCl@ss 4.0	27260700
eCl@ss 4.1	27260700
eCl@ss 5.0	27260700
eCl@ss 5.1	27260700
eCl@ss 6.0	27260700
eCl@ss 7.0	27440312
eCl@ss 8.0	19170122
eCl@ss 9.0	19170122

ETIM

ETIM 3.0	EC001122
ETIM 4.0	EC001122
ETIM 5.0	EC001122
ETIM 6.0	EC001122
ETIM 7.0	EC001122

FO transceiver - SACFO-T-MNNA-M16-650-S - 1416716

Classifications

UNSPSC

UNSPSC 6.01	31261501
UNSPSC 7.0901	31261501
UNSPSC 11	31261501
UNSPSC 12.01	31261501
UNSPSC 13.2	43223310
UNSPSC 18.0	43223310
UNSPSC 19.0	43223310
UNSPSC 20.0	43223310
UNSPSC 21.0	43223310

Phoenix Contact 2020 © - all rights reserved
<http://www.phoenixcontact.com>

PHOENIX CONTACT GmbH & Co. KG

Flachsmarktstr. 8

32825 Blomberg

Germany

Tel. +49 5235 300

Fax +49 5235 3 41200

<http://www.phoenixcontact.com>

X-ON Electronics

Largest Supplier of Electrical and Electronic Components

Click to view similar products for [Fibre Optic Connectors](#) category:

Click to view products by [Phoenix Contact](#) manufacturer:

Other Similar products are found below :

[0004700001](#) [6100-R](#) [6313](#) [F709722200](#) [F709730000](#) [F718183204](#) [F727403500](#) [F727752800](#) [8119](#) [9440F20-27S-190](#) [944-120-6001](#)
[9441F10SL-3S](#) [9444W28-21S](#) [9444W36-10S](#) [9446F10SL-4S](#) [9446W20-16S](#) [953-101-5310-P](#) [954-101-57202B](#) [A0270169](#) [12-9122](#) [12-5702](#)
[AX101713](#) [AX102420](#) [AX103923](#) [AX104024](#) [AX104193](#) [AX104230](#) [AX104562](#) [AX105203-B25](#) [AX105205-S1](#) [EHSC2M](#) [17-300800](#)
[181-011-126](#) [181-011-S](#) [181-057-126](#) [HRFC-R2\(40\)](#) [NKSOPBUY](#) [20500002116](#) [2064996-1](#) [20800001065](#) [2170](#) [9132](#) [2612](#) [2620](#) [9291](#)
[9440F16-10S](#) [9440F20-18S](#) [9446F16-10S-190](#) [953-106-50231](#) [953-120-5003](#)