

FO transceiver - SACFO-T-MNNA-M16-1300-S - 1416729

Please be informed that the data shown in this PDF Document is generated from our Online Catalog. Please find the complete data in the user's documentation. Our General Terms of Use for Downloads are valid (<http://phoenixcontact.com/download>)



M12 FO transceiver, duplex, wavelength: 1300 nm for 125 Mbps, for GOF fiber, for PCB mounting, M16 fastening thread, with sealing cap, including I²C interface for transceiver monitoring and management

M12 OPTIC transceiver for GOF MM

Product Description

M12 OPTIC transceiver, 1300 nm, 125 Mbps


Your advantages

- ✔ for data rates of up to 125 Mbps
- ✔ robust metal housing
- ✔ Pin connector pattern in accordance with DIN/IEC 61754-27
- ✔ I²C management interface
- ✔ Signal Detect (SD) output
- ✔ PECL inputs/outputs
- ✔ -19 dBm output power
- ✔ -30 dBm receiver sensitivity



Ethernet

Key Commercial Data

| | |
|--------------|---|
| Packing unit | 1 pc |
| GTIN |  4 046356 480826 |
| GTIN | 4046356480826 |

Technical data

Mechanical characteristics

| | |
|--|--------|
| Connection method | M12 |
| Number of slots | 2 |
| Weight | 47.5 g |
| Flammability rating according to UL 94 | V0 |

Ambient conditions

FO transceiver - SACFO-T-MNNA-M16-1300-S - 1416729

Technical data

Ambient conditions

| | |
|---|------------------|
| Ambient temperature (operation) | -40 °C ... 85 °C |
| Ambient temperature (assembly) | -5 °C ... 55 °C |
| Ambient temperature (storage/transport) | -40 °C ... 85 °C |

Material data

| | |
|------------------|-------|
| Housing material | Metal |
|------------------|-------|

Standards and Regulations

| | |
|--|----|
| Flammability rating according to UL 94 | V0 |
|--|----|

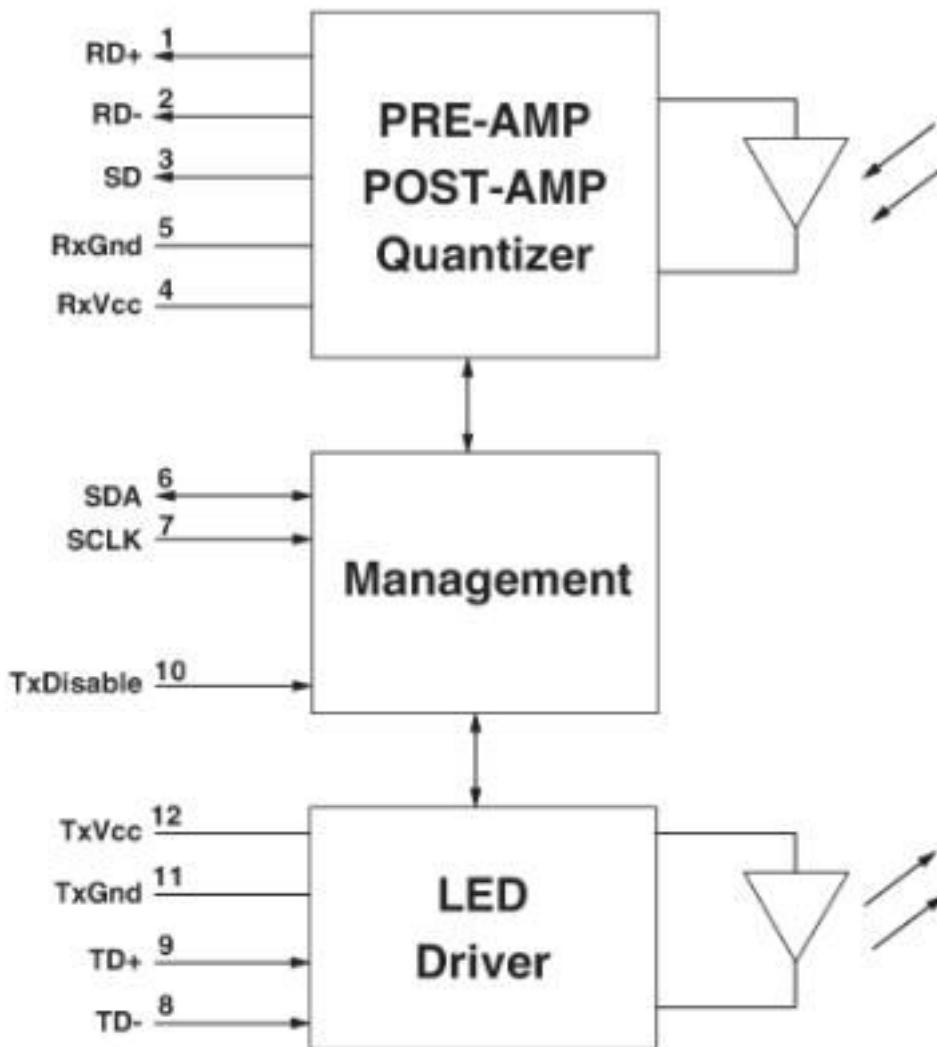
Environmental Product Compliance

| | |
|------------|---|
| China RoHS | Environmentally friendly use period: unlimited = EFUP-e |
| | No hazardous substances above threshold values |

Drawings

FO transceiver - SACFO-T-MNNA-M16-1300-S - 1416729

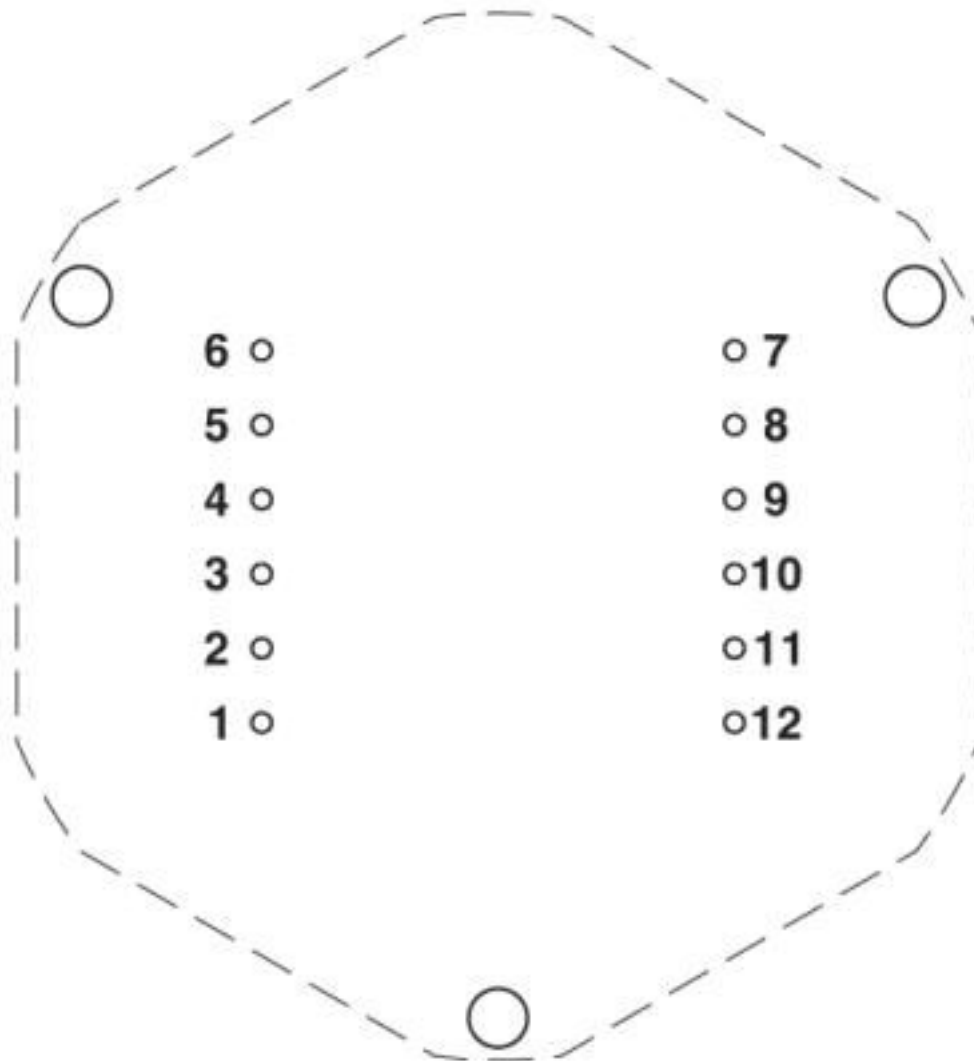
Block diagram



Transceiver block diagram

FO transceiver - SACFO-T-MNNA-M16-1300-S - 1416729

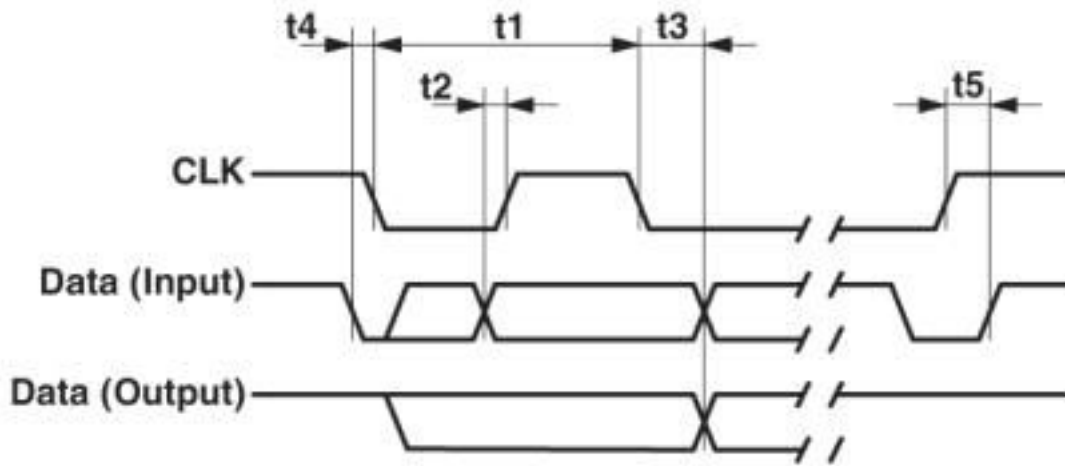
Schematic diagram



Pin assignment, component mounting side view

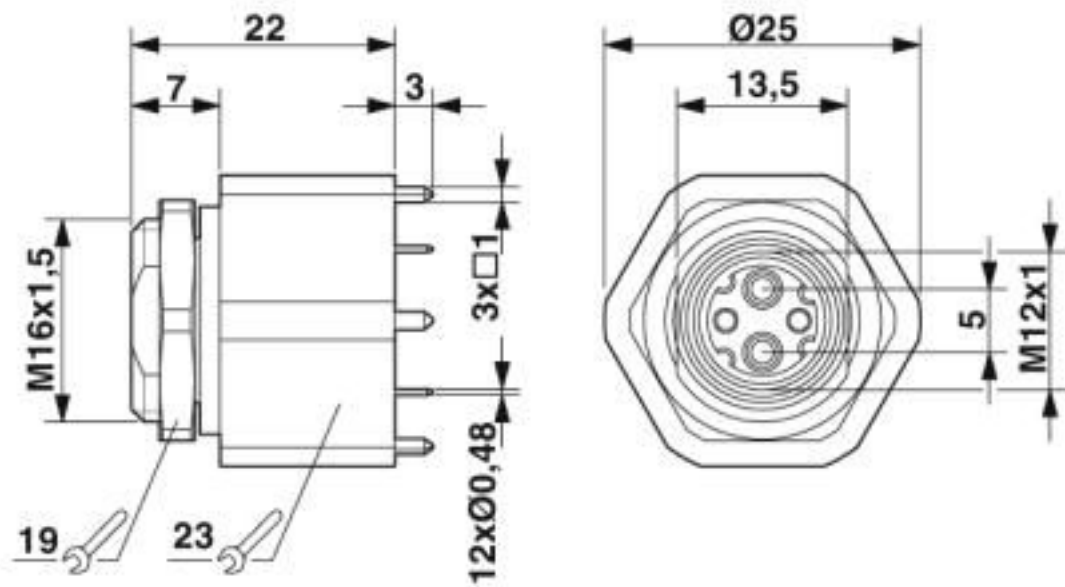
FO transceiver - SACFO-T-MNNA-M16-1300-S - 1416729

Diagram



I2C bus timing

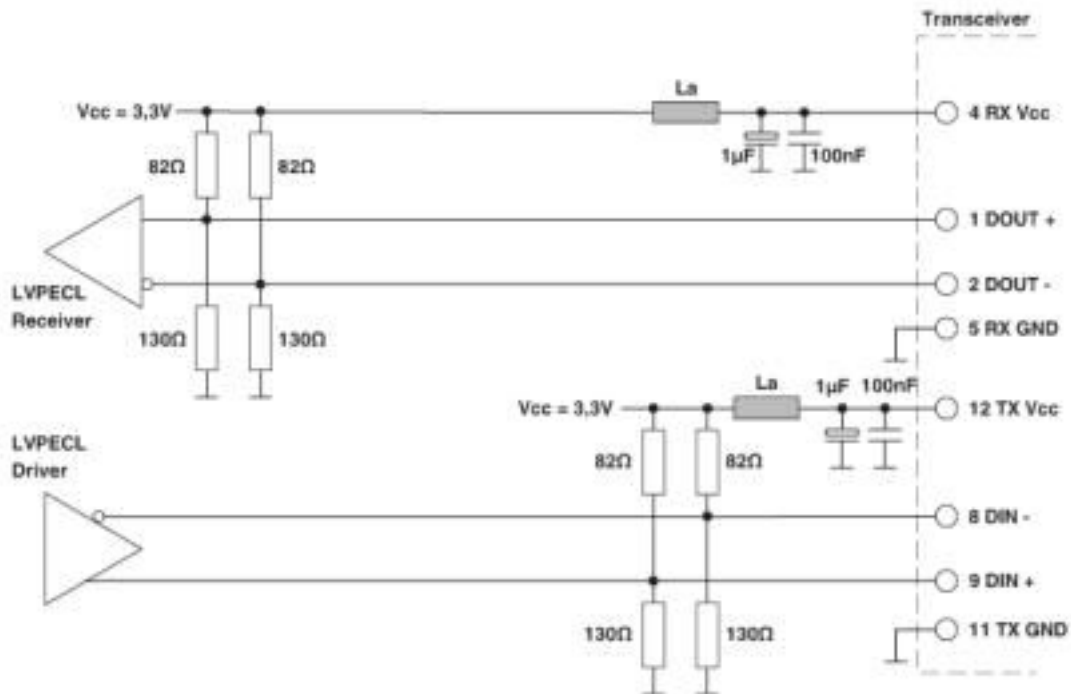
Dimensional drawing



Housing dimensions

FO transceiver - SACFO-T-MNNA-M16-1300-S - 1416729

Circuit diagram



External wiring of the transceiver.

Ferrite coil La:

Typical impedance of 120 Ohm at 100 MHz,

Maximum DC resistance of 0.15 Ohm at 200 mA

Classifications

eCl@ss

| | |
|---------------|----------|
| eCl@ss 10.0.1 | 19170122 |
| eCl@ss 4.0 | 27260700 |
| eCl@ss 4.1 | 27260700 |
| eCl@ss 5.0 | 27260700 |
| eCl@ss 5.1 | 27260700 |
| eCl@ss 6.0 | 27260700 |
| eCl@ss 7.0 | 27440312 |
| eCl@ss 8.0 | 19170122 |
| eCl@ss 9.0 | 19170122 |

ETIM

| | |
|----------|----------|
| ETIM 3.0 | EC001122 |
| ETIM 4.0 | EC001122 |
| ETIM 5.0 | EC001122 |
| ETIM 6.0 | EC001122 |
| ETIM 7.0 | EC001122 |

FO transceiver - SACFO-T-MNNA-M16-1300-S - 1416729

Classifications

UNSPSC

| | |
|---------------|----------|
| UNSPSC 6.01 | 31261501 |
| UNSPSC 7.0901 | 31261501 |
| UNSPSC 11 | 31261501 |
| UNSPSC 12.01 | 31261501 |
| UNSPSC 13.2 | 43223310 |
| UNSPSC 18.0 | 43223310 |
| UNSPSC 19.0 | 43223310 |
| UNSPSC 20.0 | 43223310 |
| UNSPSC 21.0 | 43223310 |

Phoenix Contact 2020 © - all rights reserved
<http://www.phoenixcontact.com>

PHOENIX CONTACT GmbH & Co. KG

Flachsmarktstr. 8

32825 Blomberg

Germany

Tel. +49 5235 300

Fax +49 5235 3 41200

<http://www.phoenixcontact.com>

X-ON Electronics

Largest Supplier of Electrical and Electronic Components

Click to view similar products for [Fibre Optic Connectors](#) category:

Click to view products by [Phoenix Contact](#) manufacturer:

Other Similar products are found below :

[0004700001](#) [6100-R](#) [6313](#) [F709034706](#) [F709722200](#) [F709730000](#) [F718183204](#) [F727403500](#) [F727752800](#) [8119](#) [9440F20-27S-190](#) [944-120-6001](#) [9441F10SL-3S](#) [9444W28-21S](#) [9444W36-10S](#) [9446F10SL-4S](#) [9446W20-16S](#) [953-101-5310-P](#) [954-101-57202B](#) [A0270169](#) [12-9122](#) [12-5702](#) [AX101713](#) [AX102420](#) [AX103923](#) [AX104024](#) [AX104193](#) [AX104230](#) [AX104562](#) [AX105203-B25](#) [AX105205-S1](#) [EHSC2M](#) [17-300800](#) [181-011-126](#) [181-011-S](#) [181-057-126](#) [HRFC-R2\(40\)](#) [NKSOPBUY](#) [20500002116](#) [2064996-1](#) [20800001065](#) [2170](#) [9132](#) [2612](#) [2620](#) [9291](#) [9440F16-10S](#) [9440F20-18S](#) [9446F16-10S-190](#) [953-106-50231](#)