

## Contact insert module - HC-M-02-EMC-F - 1417376


Please be informed that the data shown in this PDF Document is generated from our Online Catalog. Please find the complete data in the user's documentation. Our General Terms of Use for Downloads are valid (<http://phoenixcontact.com/download>)



Contact insert module, number of positions: 2, Socket, Crimp connection, 50 V, 10 A, 0.14 mm<sup>2</sup> ... 2.5 mm<sup>2</sup>, application: Data/signal, for using two HC-M-EMV-BU/3-9,5 EMC connectors (socket version, each 4-pos.)



### Key Commercial Data

Packing unit	2 pc
Minimum order quantity	2 pc
GTIN	 4 055626 112572
GTIN	4055626112572

### Technical data

#### Dimensions

Height	34 mm
Width	34.2 mm
Length	29.4 mm

#### Electrical characteristics

Rated voltage (III/3)	50 V
Rated current	10 A
Rated surge voltage	0.8 kV
Connection profile	2

#### Ambient conditions

Ambient temperature (operation)	-40 °C ... 125 °C
---------------------------------	-------------------

#### Mechanical characteristics

Conductor cross section	0.14 mm <sup>2</sup> ... 2.5 mm <sup>2</sup>
Contact diameter	1.6 mm
Insertion/withdrawal cycles	≥ 500

#### General

## Contact insert module - HC-M-02-EMC-F - 1417376

### Technical data

#### General

Note	For HEAVYCON housing type B6 to B48, HC-M-B...MF-... hinged module carrier frame required.
	Connectors may be operated only when there is no load/voltage.
Series	HC-M-EMV
Color	light gray
Number of module slots	2
Connection method	Crimp connection
Contact type	turned
Flammability rating according to UL 94	V0
Degree of pollution	3
Overvoltage category	III
Assembly instructions	To ensure correct use, installation in housing with IP54 protection or better is required
Connection	Plastic module for the HC-M-EMV-BU/3-9.5 EMC connector

#### Material data

Contact material	Copper alloy
Contact surface material	Ag (power)/Au (signal)
Contact carrier material	PC
Phase conductor material	Zinc alloy

#### Standards and Regulations

Flammability rating according to UL 94	V0
--	----

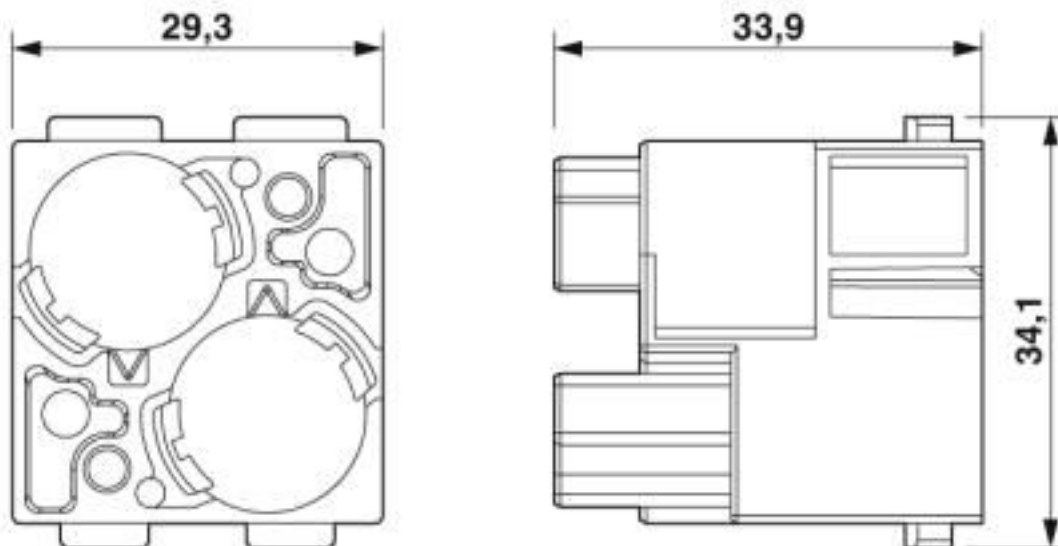
#### Environmental Product Compliance

China RoHS	Environmentally friendly use period: unlimited = EFUP-e
	No hazardous substances above threshold values

### Drawings

# Contact insert module - HC-M-02-EMC-F - 1417376

Dimensional drawing



Female insert

## Classifications

eCl@ss

eCl@ss 10.0.1	27440218
eCl@ss 5.1	27261200
eCl@ss 6.0	27261200
eCl@ss 7.0	27440205
eCl@ss 8.0	27440205
eCl@ss 9.0	27440218

ETIM

ETIM 5.0	EC000438
ETIM 6.0	EC000438
ETIM 7.0	EC000438

UNSPSC

UNSPSC 13.2	39121421
UNSPSC 18.0	39121421
UNSPSC 19.0	39121421
UNSPSC 20.0	39121421
UNSPSC 21.0	39121421

## Approvals

Approvals

# Contact insert module - HC-M-02-EMC-F - 1417376

## Approvals

Approvals

CSA / UL Recognized / EAC / EAC

---

Ex Approvals

---

## Approval details

CSA		<a href="http://www.csagroup.org/services-industries/product-listing/">http://www.csagroup.org/services-industries/product-listing/</a>	13631
UL Recognized		<a href="http://database.ul.com/cgi-bin/XYV/template/LISEXT/1FRAME/index.htm">http://database.ul.com/cgi-bin/XYV/template/LISEXT/1FRAME/index.htm</a>	E118976
EAC			RU C- DE.AI30.B.01102
EAC			RU C- DE.BL08.B.00511

## Accessories

Accessories

Adapter

Adapter - HC-M-ADP-EMC - 1420486



Adapter, application: Shield adapters

---

Assembly tool

## Contact insert module - HC-M-02-EMC-F - 1417376

### Accessories

Contact removal tool - HC-M-EMV-KON-EWZ - 1678635



Contact removal tool for HC-M-EMV contact carriers

---

### EMC insert, modular

Connector - HC-M-EMV-BU/3-9,5 - 1636091



HEAVYCON EMC connector, socket version, 4-pos., for connecting shielded conductors with 3 - 9.5 mm external conductor diameter. For use in the HC-M-02-EMC-F plastic module

---

Connector - HC-M-08-EMC-DSUB-F - 1066080



Connector, number of positions: 8, power contacts: 0, control contacts: 8, Socket, 50 V, 5 A, 0.09 mm<sup>2</sup> ... 0.52 mm<sup>2</sup>, external cable diameter: 3 mm ... 9.5 mm

---

Connector - HC-M-01-COAX-CK1,6-75-F - 1066961



Connector, power contacts: 0, control contacts: 1, Socket, 50 V, 10 A, 0.14 mm<sup>2</sup> ... 2.5 mm<sup>2</sup>, external cable diameter: 3 mm ... 9.5 mm, 75 Ohm

---

Connector - HC-M-01-COAX-CK2,5-50-F - 1066959



Connector, power contacts: 0, control contacts: 1, Socket, 50 V, 16 A, 0.5 mm<sup>2</sup> ... 4 mm<sup>2</sup>, external cable diameter: 3 mm ... 9.5 mm, 50 Ohm

---

### Module carrier frame

## Contact insert module - HC-M-02-EMC-F - 1417376

### Accessories

#### Module carrier frame - HC-M-B06-MFH-B - 1182085



Module carrier frame, size: B6, type : for the panel mounting side (a, b, c, ...), 4 mm<sup>2</sup> ... 6 mm<sup>2</sup>, application: Module carrier frame

---

#### Module carrier frame - HC-M-B10-MFH-B - 1182088



Module carrier frame, size: B10, type : for the panel mounting side (a, b, c, ...), 4 mm<sup>2</sup> ... 6 mm<sup>2</sup>, application: Module carrier frame

---

#### Module carrier frame - HC-M-B16-MFH-B - 1182090



Module carrier frame, size: B16, type : for the panel mounting side (a, b, c, ...), 4 mm<sup>2</sup> ... 6 mm<sup>2</sup>, application: Module carrier frame

---

#### Module carrier frame - HC-M-B24-MFH-B - 1182094



Module carrier frame, size: B24, type : for the panel mounting side (a, b, c, ...), 4 mm<sup>2</sup> ... 6 mm<sup>2</sup>, application: Module carrier frame

---

#### Module carrier frame - HC-M-B06-MFH-H - 1182087



Module carrier frame, size: B6, type : for the sleeve side (A, B, C, ...), 4 mm<sup>2</sup> ... 6 mm<sup>2</sup>, application: Module carrier frame

---

## Contact insert module - HC-M-02-EMC-F - 1417376

### Accessories

Module carrier frame - HC-M-B10-MFH-H - 1182089



Module carrier frame, size: B10, type : for the sleeve side (A, B, C, ...), 4 mm<sup>2</sup> ... 6 mm<sup>2</sup>, application: Module carrier frame

---

Module carrier frame - HC-M-B16-MFH-H - 1182093



Module carrier frame, size: B16, type : for the sleeve side (A, B, C, ...), 4 mm<sup>2</sup> ... 6 mm<sup>2</sup>, application: Module carrier frame

---

Module carrier frame - HC-M-B24-MFH-H - 1182095



Module carrier frame, size: B24, type : for the sleeve side (A, B, C, ...), 4 mm<sup>2</sup> ... 6 mm<sup>2</sup>, application: Module carrier frame

---

### Additional products

Contact insert module - HC-M-02-EMC-M - 1417374



Contact insert module, number of positions: 2, Pin, Crimp connection, 50 V, 10 A, 0.14 mm<sup>2</sup> ... 2.5 mm<sup>2</sup>, application: Data/signal, for using two HC-M-EMV-ST/3-9,5 EMC connectors (pin version, each 4-pos.)

---

## X-ON Electronics

Largest Supplier of Electrical and Electronic Components

*Click to view similar products for [Heavy Duty Power Connectors](#) category:*

*Click to view products by [Phoenix Contact](#) manufacturer:*

Other Similar products are found below :

[647757-1](#) [6643411-1](#) [6646058-2](#) [6646137-1](#) [6646138-1](#) [6646479-1](#) [6646608-1](#) [6646786-1](#) [6646940-1](#) [6651091-1](#) [6651525-1](#) [6651529-1](#)  
[6651788-1](#) [696475-1](#) [702-32-01109](#) [703-25-02205](#) [73000005059](#) [73000005642](#) [765-15-0080A](#) [765-16-0080B](#) [765-18-0080D](#) [829992-1](#)  
[902-77-02113](#) [PS00/A0620/6300](#) [129-1J](#) [1409400](#) [AN0024023](#) [E6374G1](#) [e6389g2](#) [157-43GW8](#) [MS3117-14AC](#) [1643543-1](#) [1650540-1](#)  
[1651811-2](#) [1766260-1](#) [1766282-1](#) [1766966-1](#) [1791340000](#) [NLDFT-3-BL-L-S120-M40A](#) [NLDFT-N-W-L-C240-M40B](#) [NLS-2-R-C240-](#)  
[M40B](#) [NLS-N-W-C240-M40B](#) [NPS-3-BL-T6](#) [1986615-1](#) [2-1589900-8](#) [2199314-1](#) [KA8102](#) [9300480317](#) [SBS50BRN#6](#) [29131](#)