

## Cable gland - G-INS-M63-L68L-PNES-LG - 1417658

Please be informed that the data shown in this PDF Document is generated from our Online Catalog. Please find the complete data in the user's documentation. Our General Terms of Use for Downloads are valid (<http://phoenixcontact.com/download>)




Cable gland, cable gland material: PA, external cable diameter 34 mm ... 44 mm, shielding: no, connecting thread: M63 x 1.5, color: lightgrey RAL 7035

### Your advantages

- ✔ Plastic material conforms to UL 746C f1

### Key Commercial Data

|              |   |
|--------------|---|
| Packing unit | 1 pc  |
| GTIN         | <br>4 055626 121611 |
| GTIN         | 4055626121611   |

### Technical data

#### Dimensions

|                                 |                                |
|---------------------------------|--------------------------------|
| Length                          | 75 mm                          |
| Wrench size, union nut          | 65 mm                          |
| Wrench size, support            | 65 mm                          |
| Hexagon angular dimension       | 72.2 mm                        |
| Length of the connecting thread | 18 mm                          |
| Feed-through hole diameter      | 63.1 mm ... 63.3 mm            |
| External cable diameter         | 34 mm ... 44 mm                |
|                                 | 34 mm ... 44 mm (for UL 514 B) |

#### Ambient conditions

|                                 |                            |
|---------------------------------|----------------------------|
| Degree of protection (IP)       | IP68 (5 bar / 0.5 h)       |
|                                 | IP66                       |
| Ambient temperature (operation) | -40 °C ... 100 °C (static) |

#### General

|                   |   |
|-------------------|---|
| No. of conductors | 1 |
|-------------------|---|

## Cable gland - G-INS-M63-L68L-PNES-LG - 1417658

### Technical data

#### General

|  |   |
|--|---|
| Cable gland material                   | PA  |
| Cable seal material                    | CR  |
| Flammability rating according to UL 94 | V2  |
|  | V2 (Housing)  |
| Shielded                               | no  |
| Thread type on connection side         | M63 x 1.5   |
| Torque                                 | 20 Nm ± (2.5 Nm)  |
| Color                                  | lightgrey RAL 7035  |
| Impact category                        | 4   |
| Execution of the strain relief         | A   |
| Assembly instructions                  | 1) Mount screw connection support in the housing using the correct torque 2) Insert cable 3) Tighten union nut using the correct torque |
| Manufacturer                           | BIMED   |
| Manufacturer Designation               | BM-20   |

#### Standards and Regulations

|  |    |
|--|----|
| Flammability rating according to UL 94 | V2 |
|--|----|

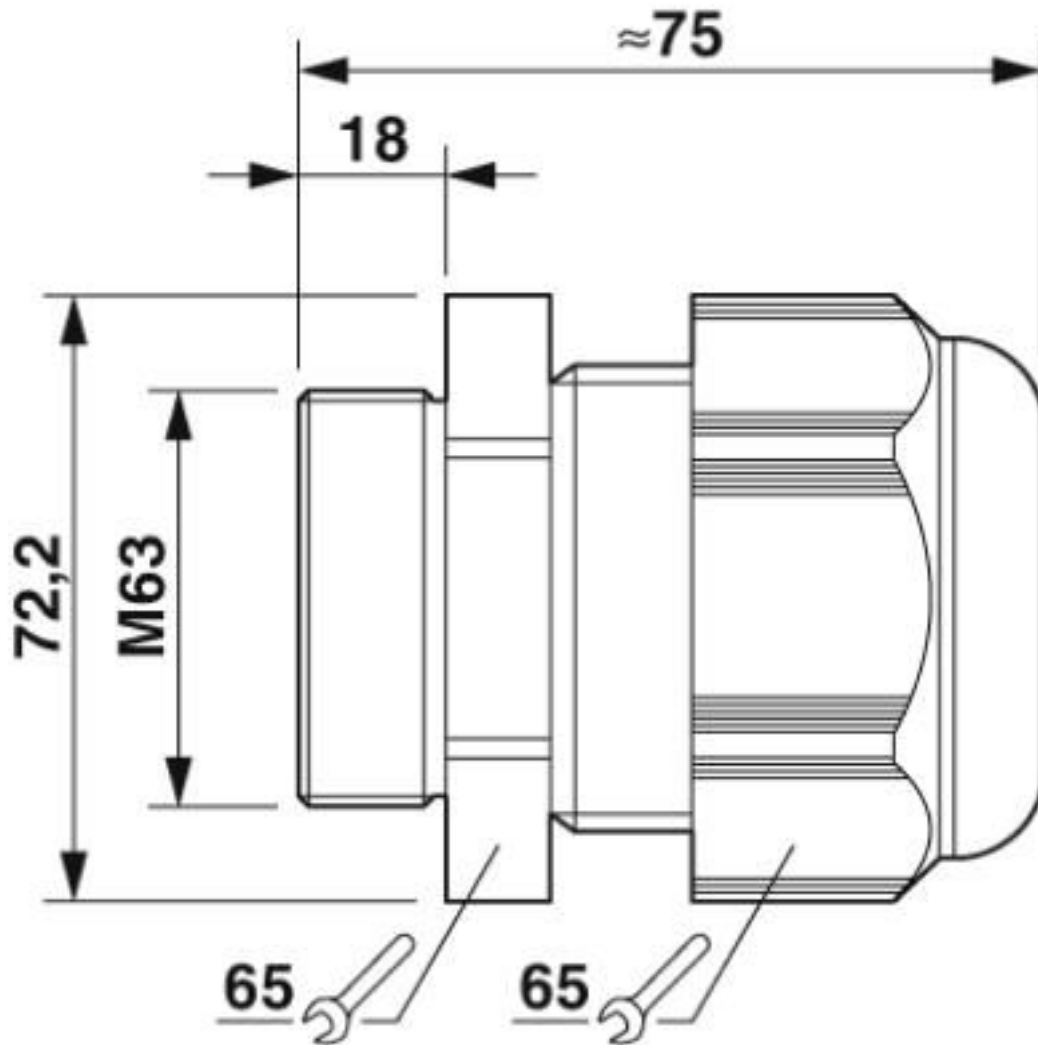
#### Environmental Product Compliance

|            |   |
|------------|---|
| China RoHS | Environmentally friendly use period: unlimited = EFUP-e |
|            | No hazardous substances above threshold values          |

### Drawings

# Cable gland - G-INS-M63-L68L-PNES-LG - 1417658

Dimensional drawing



Dimensional drawing

## Classifications

eCl@ss

|               |          |
|---------------|----------|
| eCl@ss 10.0.1 | 27144432 |
| eCl@ss 4.0    | 27141200 |
| eCl@ss 4.1    | 27141200 |
| eCl@ss 5.0    | 27149100 |
| eCl@ss 5.1    | 27149109 |
| eCl@ss 6.0    | 27149100 |
| eCl@ss 7.0    | 27149109 |
| eCl@ss 8.0    | 27149109 |

# Cable gland - G-INS-M63-L68L-PNES-LG - 1417658

## Classifications

### eCl@ss

|            |          |
|------------|----------|
| eCl@ss 9.0 | 27144432 |
|------------|----------|

### ETIM

|          |          |
|----------|----------|
| ETIM 5.0 | EC000441 |
| ETIM 6.0 | EC000441 |
| ETIM 7.0 | EC000441 |

### UNSPSC

|             |          |
|-------------|----------|
| UNSPSC 13.2 | 39121311 |
| UNSPSC 18.0 | 39121311 |
| UNSPSC 19.0 | 39121311 |
| UNSPSC 20.0 | 39121311 |
| UNSPSC 21.0 | 39121311 |

## Approvals


### Approvals


#### Approvals


UL Listed / cUL Listed / cULus Listed

#### Ex Approvals

### Approval details

|           |   |   |         |
|-----------|---|---|---------|
| UL Listed |  | <a href="http://database.ul.com/cgi-bin/XYV/template/LISEXT/1FRAME/index.htm">http://database.ul.com/cgi-bin/XYV/template/LISEXT/1FRAME/index.htm</a> | E199260 |
|-----------|---|---|---------|

|            |   |   |         |
|------------|---|---|---------|
| cUL Listed |  | <a href="http://database.ul.com/cgi-bin/XYV/template/LISEXT/1FRAME/index.htm">http://database.ul.com/cgi-bin/XYV/template/LISEXT/1FRAME/index.htm</a> | E199260 |
|------------|---|---|---------|

|              |   |  |  |
|--------------|---|--|--|
| cULus Listed |  |  |  |
|--------------|---|--|--|

## Accessories

### Accessories

Flat nut

## Cable gland - G-INS-M63-L68L-PNES-LG - 1417658

### Accessories

Counter nut - A-INL-M63-P-LG - 1417666



Counter nut, material: PA 6 GF 30, for threads M63 x 1.5, color: lightgrey RAL 7035

---

### Sealing plugs

Closing cap - SEALING PLUG 35X35 RD - 1421865



Closing cap, material: PA, color: red

---

Phoenix Contact 2020 © - all rights reserved  
<http://www.phoenixcontact.com>

PHOENIX CONTACT GmbH & Co. KG  
Flachsmarktstr. 8  
32825 Blomberg  
Germany  
Tel. +49 5235 300  
Fax +49 5235 3 41200  
<http://www.phoenixcontact.com>

## X-ON Electronics

Largest Supplier of Electrical and Electronic Components

*Click to view similar products for [Cable Glands, Strain Reliefs & Cord Grips](#) category:*

*Click to view products by [Phoenix Contact](#) manufacturer:*

Other Similar products are found below :

[1218](#) [1300980012](#) [1300980105](#) [DBZM-6828](#) [1498](#) [915](#) [300623](#) [5632NM](#) [1124](#) [1151](#) [561-MP6P4WH](#) [5534M](#) [9000005073](#) [52104486](#)  
[5315817](#) [N16 025 0112 1](#) [N16 020 0112 1](#) [M6106](#) [7422](#) [NG-9516 Gasket](#) [N16 016 0112 1](#) [NG-9514 Gasket](#) [52006151](#) [2704](#) [BM4940L](#)  
[BM4950L](#) [1.097.2012.50](#) [1.152.1300.01](#) [1.152.2000.50](#) [1.152.2100.01](#) [1.152.2500.50](#) [1.152.4000.50](#) [1.209.1218.70](#) [1.209.6400.71](#)  
[1.609.1100.01](#) [1.609.2900.15](#) [1.609.3200.52](#) [1.609.3600.15](#) [1.609.5000.51](#) [1.676.2500.50](#) [52103150](#) [53112705](#) [53112715](#) [53112735](#)  
[53119073](#) [54115405](#) [52004120](#) [52001894](#) [53018160](#) [APGPG36BA](#)