

DIN rail adapter - CUC-PP-D1PGY/R4GC8 - 1418094

Please be informed that the data shown in this PDF Document is generated from our Online Catalog. Please find the complete data in the user's documentation. Our General Terms of Use for Downloads are valid (<http://phoenixcontact.com/download>)



DIN rail adapter, type: RJ45, degree of protection: IP20, number of positions: 8, 1 Gbps, CAT6, material: PC-GF, connection method: Coupling, color: gray

Product Description


DIN rail adapter with RJ45 coupling for the distribution of Ethernet cables

Your advantages

- DIN rail mounting
- Individual marking field
- Security elements available as accessories
- Front-release modules



Key Commercial Data

Packing unit	1 pc
GTIN	 4 055626 133584
GTIN	4055626133584

Technical data

Mechanical characteristics

Connection method	Coupling
Number of slots	2
Weight	57.5 g
Type	RJ45
Flammability rating according to UL 94	V0

Ambient conditions

Ambient temperature (operation)	-10 °C ... 60 °C
Ambient temperature (storage/transport)	-40 °C ... 70 °C

Material data

DIN rail adapter - CUC-PP-D1PGY/R4GC8 - 1418094

Technical data

Material data

Contact surface material	Gold over nickel
Contact material	CuSn
Contact carrier material	Die-cast zinc alloy
Housing material	PC-GF

Electrical characteristics

Number of positions	8
Nominal current I_N	1.5 A
GRP transmission properties	CAT6
Transmission speed	1 Gbps
Frequency range	250 MHz
Rated voltage (III/3)	72 V (DC)
Insulation resistance	> 500 M Ω (100 V DC)

Standards and Regulations

Flammability rating according to UL 94	V0
Standards/regulations	IEC 60603-7

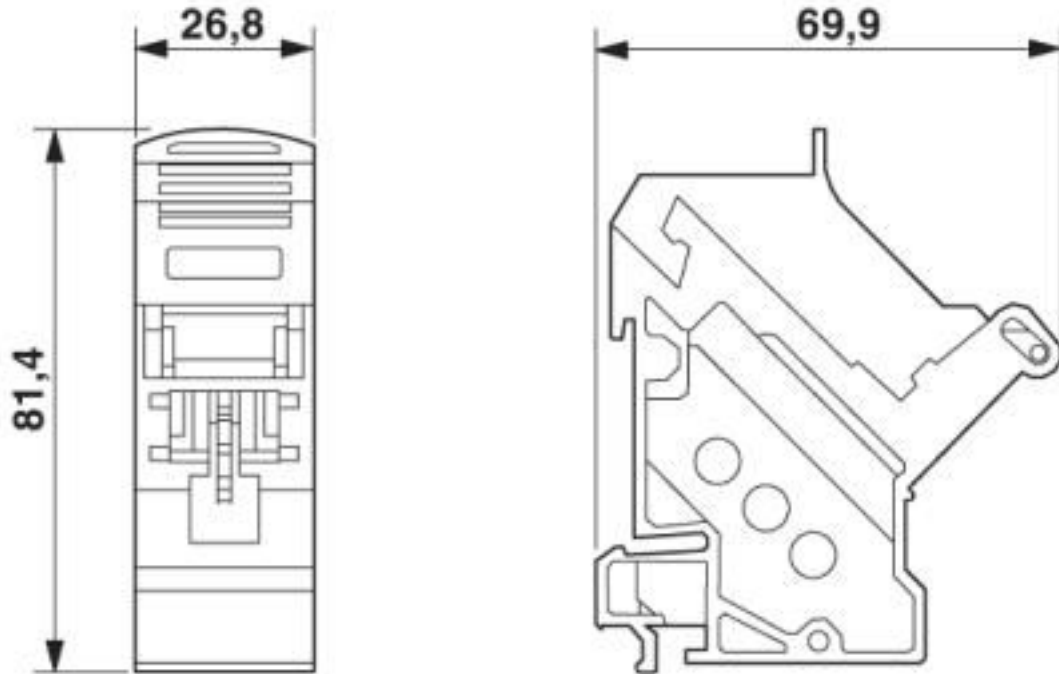
Environmental Product Compliance

China RoHS	Environmentally friendly use period: unlimited = EFUP-e
	No hazardous substances above threshold values

Drawings

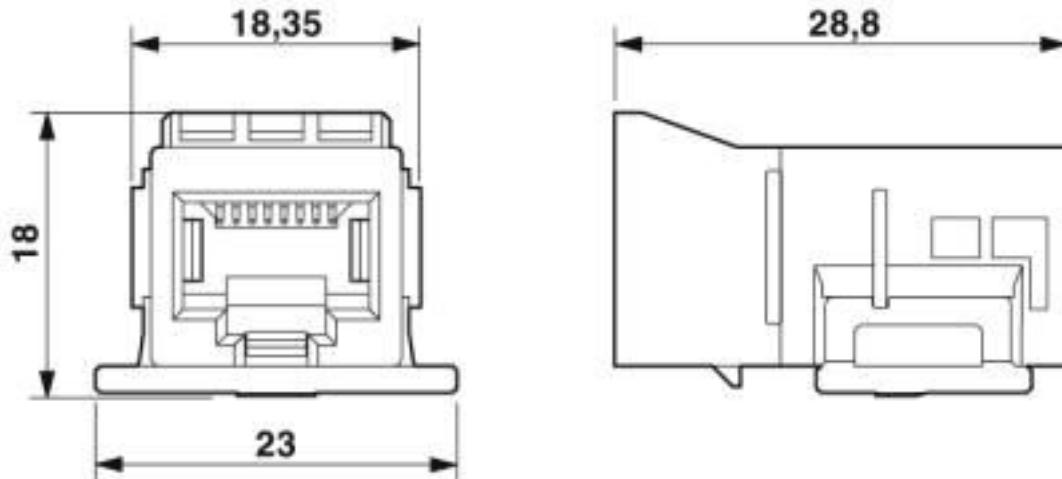
DIN rail adapter - CUC-PP-D1PGY/R4GC8 - 1418094

Dimensional drawing



RJ45 patch panel

Dimensional drawing



RJ45 socket insert, Freenet system

Classifications

eCl@ss

eCl@ss 4.0	27260700
eCl@ss 4.1	27260700

DIN rail adapter - CUC-PP-D1PGY/R4GC8 - 1418094

Classifications

eCl@ss

eCl@ss 5.0	19030100
eCl@ss 5.1	19030100
eCl@ss 6.0	19170100
eCl@ss 7.0	19170112
eCl@ss 8.0	19170112
eCl@ss 9.0	19170112

ETIM

ETIM 3.0	EC001128
ETIM 4.0	EC001128
ETIM 5.0	EC002599
ETIM 6.0	EC002599
ETIM 7.0	EC002599

UNSPSC

UNSPSC 6.01	31261501
UNSPSC 7.0901	31261501
UNSPSC 11	31261501
UNSPSC 12.01	31261501
UNSPSC 13.2	26121604
UNSPSC 18.0	43223309
UNSPSC 19.0	43223309
UNSPSC 20.0	43223309
UNSPSC 21.0	43223309

Accessories

Accessories

Data cable preassembled

Network cable - NBC-R4AC-R4AC-IE8/.../... - 1411842



Network cable, degree of protection: IP20, number of positions: 8, 1 Gbps, CAT5, cable outlet: straight

DIN rail

DIN rail adapter - CUC-PP-D1PGY/R4GC8 - 1418094

Accessories

DIN rail perforated - NS 35/ 7,5 PERF 1155MM - 1207666



DIN rail perforated, Standard profile, width: 35 mm, height: 7.5 mm, acc. to EN 60715, material: Steel, galvanized, passivated with a thick layer, length: 1155 mm, color: silver

Mounting rail adapter

DIN rail adapter - FL DIN RA - 2891053



The FL DIN RA is installed in a standard, 19-inch rack (EIA-310-D, IEC 60297-3-100) to allow DIN rail mounted equipment to be rack mounted.

Patch cable

Patch cable - FL CAT6 PATCH 0,3 - 2891181



Patch cable, CAT6, pre-assembled, 0.3 m

Patch cable - FL CAT6 PATCH 0,5 - 2891288



Patch cable, CAT6, pre-assembled, 0.5 m

Patch cable - FL CAT6 PATCH 1,0 - 2891385



Patch cable, CAT6, pre-assembled, 1.0 m

Safety locking

DIN rail adapter - CUC-PP-D1PGY/R4GC8 - 1418094

Accessories

Plug Guard Security Frame - FL PLUG GUARD GN - 2891615



Security frame for SFN switch and patch fields, green

Plug Guard Security Frame - FL PLUG GUARD RD - 2891712



Security frame for SFN switch and patch fields, red

Plug Guard Security Frame - FL PLUG GUARD WH - 2891819



Security frame for SFN switch and patch fields, white

Locking element - FL PORT GUARD - 2891220



Locking element and key for security frame

Key - FL PLUG GUARD KEY - 2891327



Key for security frame, SFN switch and patch fields

Additional products

DIN rail adapter - CUC-PP-D1PGY/R4GC8 - 1418094

Accessories

RJ45 coupling - CUC-F-D1ZNI-S/R4GC8 - 1419022



RJ45 coupling, type: RJ45, degree of protection: IP20, number of positions: 8, 1 Gbps, CAT6, material: Zinc die-cast, connection method: Female

RJ45 socket insert - CUC-F-J1ZNI-S/R4IDC8 - 1418984



RJ45 socket insert, type: RJ45, degree of protection: IP20, number of positions: 8, 10 Gbps, CAT6_A, material: Zinc die-cast, connection method: IDC connection, connection cross section: AWG 26- 22, Freenet design for use with IP67 panel mounting frame and terminal outlets

Phoenix Contact 2020 © - all rights reserved
<http://www.phoenixcontact.com>

PHOENIX CONTACT GmbH & Co. KG
Flachsmarktstr. 8
32825 Blomberg
Germany
Tel. +49 5235 300
Fax +49 5235 3 41200
<http://www.phoenixcontact.com>

X-ON Electronics

Largest Supplier of Electrical and Electronic Components

Click to view similar products for [Modular Connectors / Ethernet Connectors](#) category:

Click to view products by [Phoenix Contact](#) manufacturer:

Other Similar products are found below :

[8949-H88/06BLKA/SN](#) [74441-0010/BKN](#) [MP1010RX-1000](#) [MP44RX-1000](#) [PHJ-4P4C-1-V-4](#) [PHP-6P6C-5](#) [GAX-3-66](#) [GAX-8-62](#) [GDCX-PA-66-50](#) [GDCX-PN-64](#) [GDCX-PN-66](#) [GDCX-PN-66-50](#) [GDLX-A-66](#) [GDLX-N-66](#) [GDLX-S-66](#) [GDLX-S-88K](#) [GDTX-S-88-50](#) [GDX-PA-1010](#) [GLX-N-1010M-BLK](#) [GLX-S-88M-BLK](#) [GMX-N-1010](#) [GMX-S-1010](#) [GMX-S-66](#) [GMX-SMT4-N-88](#) [GPX-2-64](#) [GSGX-N-2-88](#) [GSGX-N-4-88](#) [GSX-NS2-88-3.05](#) [GSX-NS2-88-3.05-50](#) [GSX-NS-88-3.05-50](#) [PT-108A-8C-UL](#) [PT-J951-8C](#) [PTS-J531-8CS-50UL](#) [1-1775629-2](#) [A-2014-0-4](#) [GWLX-S-88-GR](#) [GWLX-S9-88-YG](#) [DC-1021-8-WH-6](#) [1300530003](#) [1324640-4](#) [RJ11FTVC2G](#) [RJ11FTVC2N](#) [RJFTVX2SA1G](#) [132764-001](#) [1413235](#) [MP88X-1000](#) [MPS88RX-5000](#) [E5288-S000K3-L](#) [E5908-15A242-L](#) [155302-001](#)