

Patch cable - VS-PPC/ME-IP20-93K-LI/5,0 - 1419176

Please be informed that the data shown in this PDF Document is generated from our Online Catalog. Please find the complete data in the user's documentation. Our General Terms of Use for Downloads are valid (<http://phoenixcontact.com/download>)




Sercos III cable, shielded, star quad, AWG 22 stranded (7-wire), RAL 3020 (traffic red), RJ45 connector/IP67 push-pull, metal on RJ45 connector/IP20, length: 5 m



sercos
the automation link

Key Commercial Data

| | |
|--------------|---|
| Packing unit | 1 pc |
| GTIN |  4 046356 541213 |
| GTIN | 4046356541213 |

Technical data

Dimensions

| | |
|-----------------|--------|
| Length of cable | 5.00 m |
|-----------------|--------|

Ambient conditions

| | |
|---------------------------------|---|
| Ambient temperature (operation) | -40 °C ... 70 °C (cable, fixed installation) |
| | -40 °C ... 70 °C (cable, flexible installation) |

General data

| | |
|----------------------|-----------|
| Number of positions | 4 |
| Overvoltage category | I |
| Degree of pollution | 2 |
| Locking type | Push Pull |
| Degree of protection | IP65/IP67 |

Characteristics head 1

| | |
|------------------------|--------------|
| Material (component) | Metal |
| Shielded | yes |
| Outer sheath, material | PVC |
| External sheath, color | Red RAL 3020 |

Characteristics head 2

Patch cable - VS-PPC/ME-IP20-93K-LI/5,0 - 1419176

Technical data

Characteristics head 2

| | |
|----------------------|---------|
| Material (component) | Plastic |
|----------------------|---------|

Standards and Regulations

| | |
|--|----|
| Flammability rating according to UL 94 | V0 |
|--|----|

Cable

| | |
|---|---|
| Cable type | Sercos III |
| Cable type (abbreviation) | 93K |
| UL AWM style | 21694 (60°C / 600 V) |
| Signal type/category | Sercos CAT5 (IEC 11801), 100 Mbps |
| Cable structure | 1x4xAWG22/7; SF/TQ |
| Conductor cross section | 4x 0.34 mm ² |
| AWG signal line | 22 |
| Conductor structure signal line | 7x 0.25 mm |
| Core diameter including insulation | approx. 1.55 mm |
| Wire colors | White, yellow, blue, orange |
| Type of pair shielding | Aluminum-lined polyester foil |
| Overall twist | Star quad |
| Shielding | Tinned copper braided shield |
| External sheath, color | signal red RAL 3020 |
| Outer sheath thickness | approx. 0.9 mm |
| External cable diameter D | 6.5 mm ±0.2 mm |
| Minimum bending radius, fixed installation | 3 x D |
| Minimum bending radius, flexible installation | 7 x D |
| Cable weight | 68 kg/km |
| Outer sheath, material | PVC |
| Material, inner sheath | PVC |
| Material conductor insulation | PE |
| Conductor material | Tin-plated Cu litz wires |
| Insulation resistance | ≥ 0.5 GΩ*km |
| Conductor resistance | ≤ 120 Ω/km |
| Wave impedance | 100 Ω ±15 Ω (at 100 MHz) |
| Signal runtime | 5.3 ns/m |
| Coupling resistance | ≤ 20.00 mΩ/m (at 10 Hz) |
| Nominal voltage, cable | 600 V |
| Test voltage Core/Core | 2000 V (50 Hz, 1 min.) |
| Test voltage Core/Shield | 2000 V (50 Hz, 1 min.) |
| Flame resistance | according to UL 1685 (CSA FT 4) |
| Resistance to oil | Resistant to oil to a limited extent |
| Other resistance | UV resistant According to UL 1581, Section 1200 |
| Ambient temperature (operation) | -40 °C ... 70 °C (cable, fixed installation) |
| | -40 °C ... 70 °C (cable, flexible installation) |

Patch cable - VS-PPC/ME-IP20-93K-LI/5,0 - 1419176

Technical data

Cable

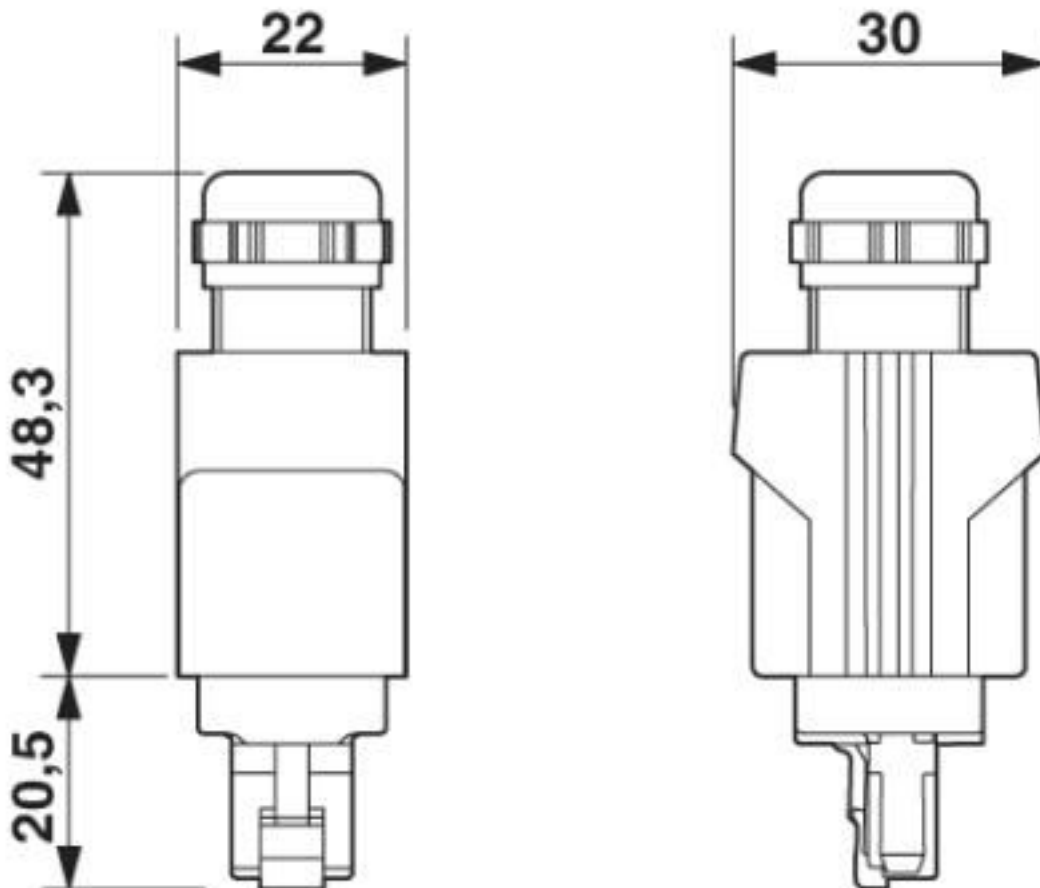
| | |
|---|------------------|
| Ambient temperature (installation) | -20 °C ... 60 °C |
| Ambient temperature (storage/transport) | -50 °C ... 70 °C |

Environmental Product Compliance

| | |
|------------|---|
| REACH SVHC | Lead 7439-92-1 |
| China RoHS | Environmentally Friendly Use Period = 50 years |
| | For details about hazardous substances go to tab "Downloads", Category "Manufacturer's declaration" |

Drawings

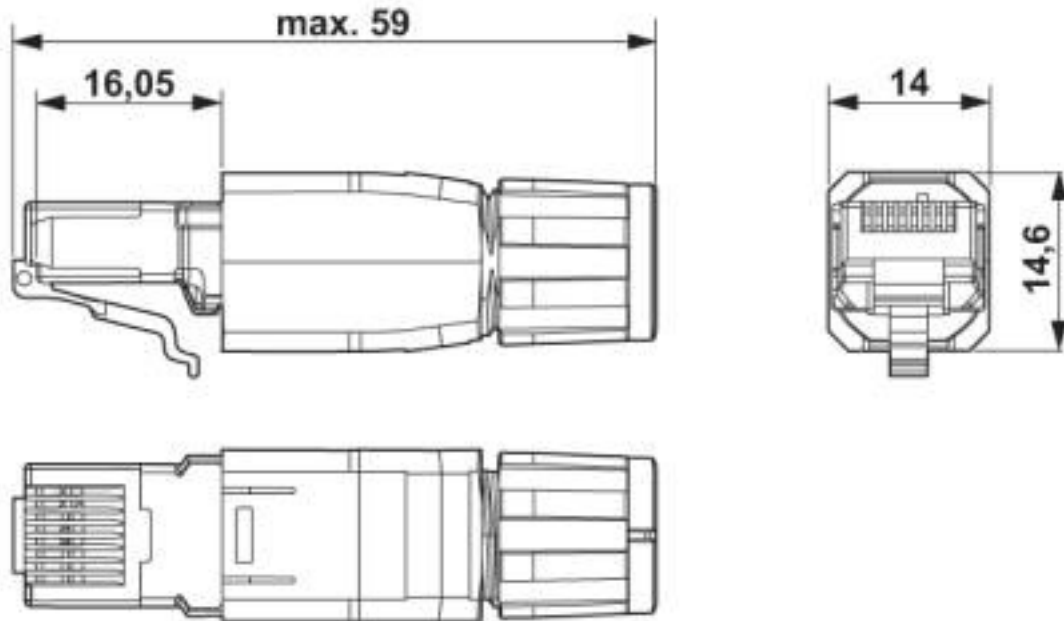
Dimensional drawing



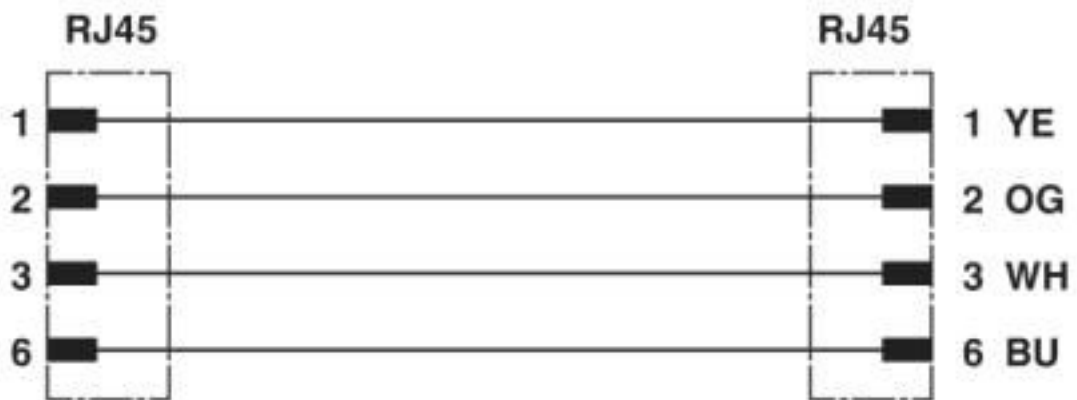
Push-pull RJ45 connector IP65/67

Patch cable - VS-PPC/ME-IP20-93K-LI/5,0 - 1419176

Dimensional drawing

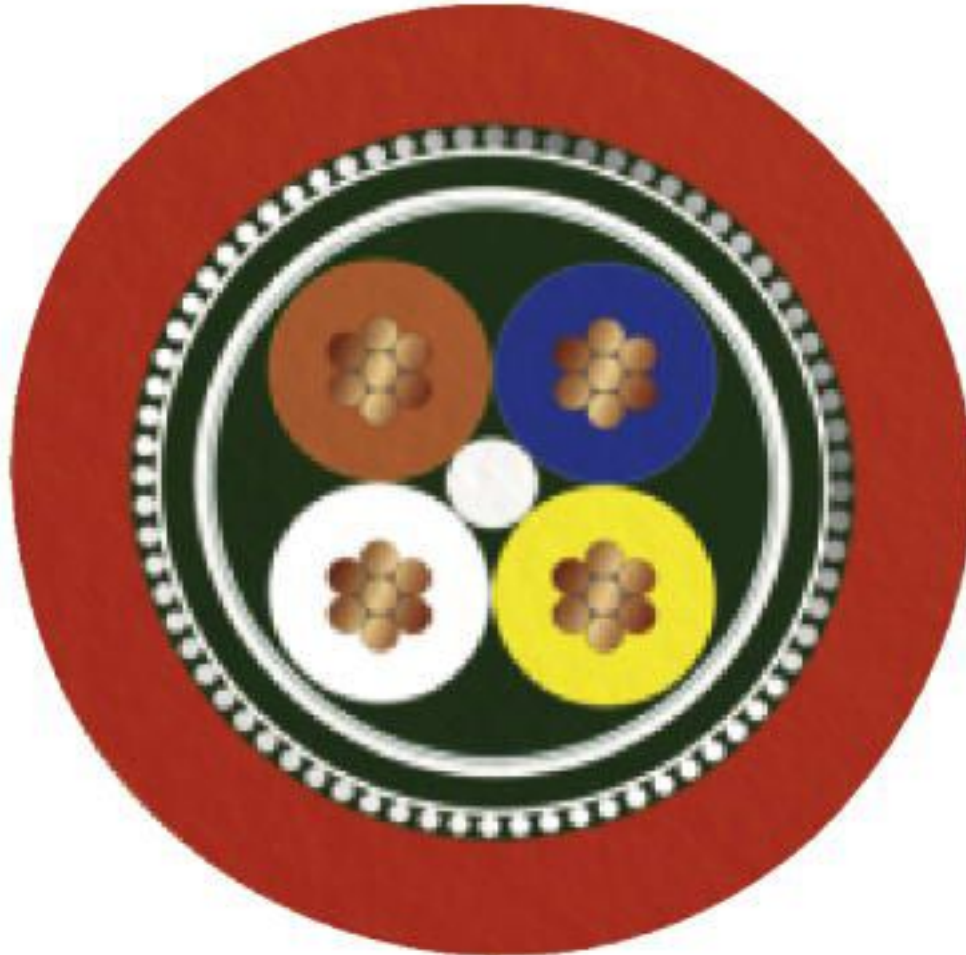


Circuit diagram



Patch cable - VS-PPC/ME-IP20-93K-LI/5,0 - 1419176

Cable cross section



Sercos III [93K]

Classifications

eCl@ss

| | |
|---------------|----------|
| eCl@ss 10.0.1 | 27060311 |
| eCl@ss 4.0 | 27060300 |
| eCl@ss 4.1 | 27060300 |
| eCl@ss 5.0 | 27060300 |
| eCl@ss 5.1 | 27060300 |
| eCl@ss 6.0 | 27279200 |
| eCl@ss 7.0 | 27279218 |
| eCl@ss 8.0 | 27279218 |
| eCl@ss 9.0 | 27060311 |

Patch cable - VS-PPC/ME-IP20-93K-LI/5,0 - 1419176

Classifications

ETIM

| | |
|----------|----------|
| ETIM 2.0 | EC000830 |
| ETIM 3.0 | EC000830 |
| ETIM 4.0 | EC002599 |
| ETIM 5.0 | EC001855 |
| ETIM 6.0 | EC001855 |
| ETIM 7.0 | EC001855 |

UNSPSC

| | |
|---------------|----------|
| UNSPSC 6.01 | 26121616 |
| UNSPSC 7.0901 | 26121616 |
| UNSPSC 11 | 26121604 |
| UNSPSC 12.01 | 26121616 |
| UNSPSC 13.2 | 31251501 |
| UNSPSC 19.0 | 31251501 |
| UNSPSC 20.0 | 31251501 |
| UNSPSC 21.0 | 31251501 |

Approvals

Approvals

Approvals

EAC

Ex Approvals

Approval details

| | | |
|-----|--|----------|
| EAC | | 19060508 |
|-----|--|----------|

X-ON Electronics

Largest Supplier of Electrical and Electronic Components

Click to view similar products for [Ethernet Cables / Networking Cables](#) category:

Click to view products by [Phoenix Contact](#) manufacturer:

Other Similar products are found below :

[73-6670-7](#) [73-6680-15](#) [73-7797-25](#) [MCJB2-10P6Q7-120](#) [84909-0204](#) [1200700174](#) [1200860368](#) [E16A06002M030](#) [E200102-009-S1](#)
[AX105346-EW](#) [MT14-187L](#) [17-103530](#) [ERWPAB3002M005](#) [190-038045-01](#) [NK5EPC18RDY](#) [NK5EPC18VLY](#) [NK5EPC18YLY](#)
[NK5EPC1GRY](#) [NK5EPC4Y](#) [NK5EPC6YLY](#) [NK5EPC8BLY](#) [NK5EPC9YLY](#) [1969343-6](#) [C501100010](#) [C501106002](#) [C501106007](#)
[C501106015](#) [C501106025](#) [C601102010](#) [C601104010](#) [C601106007](#) [C601106015](#) [2142758-2](#) [2168427-2](#) [CAT1106007](#) [21949-1](#) [2J1866A](#)
[RJF SFTP 5E 0500](#) [AX100351](#) [MN14CEC/ST](#) [C501100015](#) [C501106004](#) [C501106010](#) [C5F1108007](#) [C601104004](#) [C601106004](#)
[CA21106004](#) [CA21106010](#) [CA21106015](#) [CA21109007](#)