

Housing - HC-STA-D07-CHWSCF-1TTP11-EL-AL - 1419245

Please be informed that the data shown in this PDF Document is generated from our Online Catalog. Please find the complete data in the user's documentation. Our General Terms of Use for Downloads are valid (<http://phoenixcontact.com/download>)



Coupling housings D7, with single locking latch, material: Die-cast aluminum, salt water resistant, protective cover material: PA, cable outlets: 1, straight, height: 60.5 mm, cable gland: none, support sleeve: yes, 1x Pg11, protective cover: yes, Standard, for socket inserts



Key Commercial Data

Packing unit	1 pc
GTIN	
GTIN	4055626159768

Technical data

Dimensions

Height	60.5 mm
Width	34.2 mm
Length	24.2 mm

Ambient conditions

Degree of protection (IP)	IP66
	IP67
Ambient temperature (operation)	-40 °C ... 125 °C

General

Note	for contact inserts HC-A03, A04, D07, D08, Q02, Q03, Q04, Q05, Q07, Q12
Size	D7
Housing type	Coupling housings
Color	gray aluminum
Locking type	with single locking latch
No. of cable outlets	1
Cable outlet	straight
Screw connection	none

Housing - HC-STA-D07-CHWSCF-1TTP11-EL-AL - 1419245

Technical data

General

Type of the screw connection	1x Pg11
Protective cover	yes
Housing material	Die-cast aluminum, salt water resistant
Housing surface material	uncoated
Material lock	PA
Material, protective cover	PA
Flammability rating according to UL 94	V0 (Interlock)
	V0 (Protective cover)

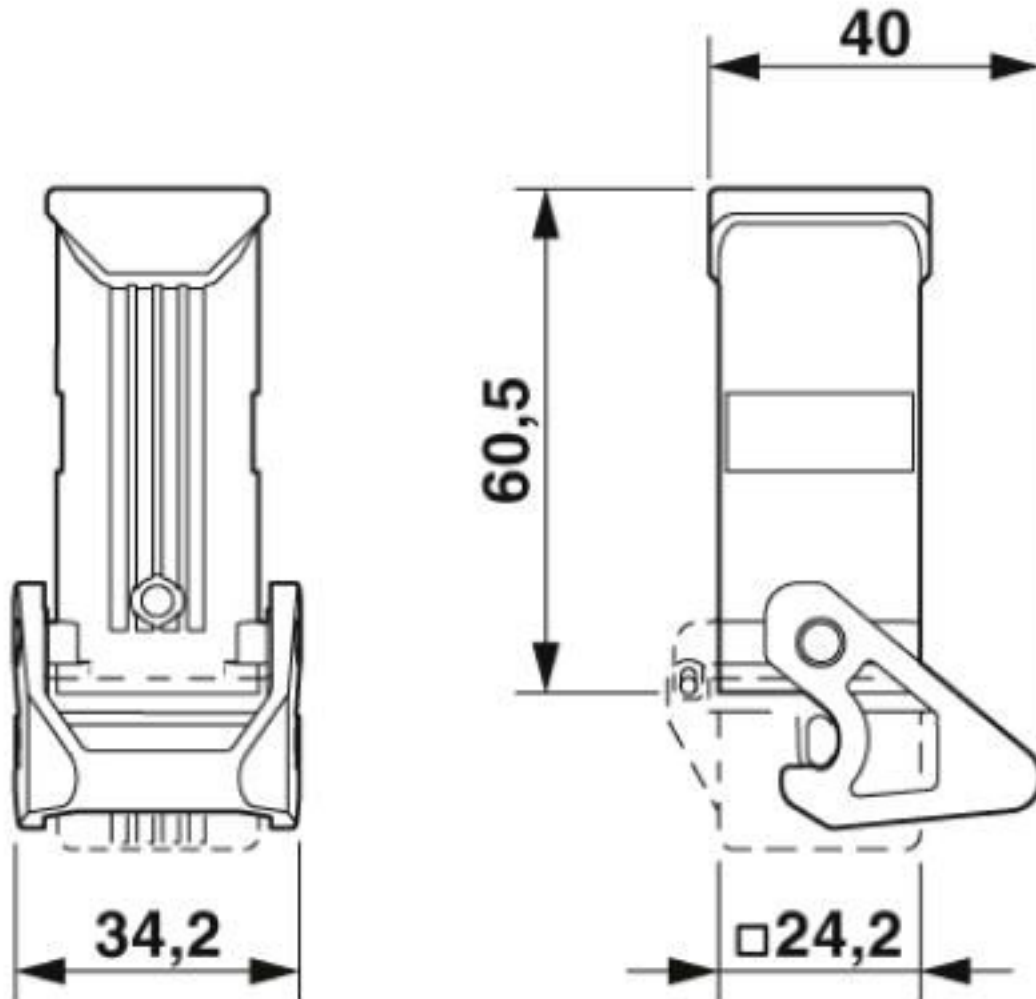
Environmental Product Compliance

China RoHS	Environmentally Friendly Use Period = 50 years
	For details about hazardous substances go to tab "Downloads", Category "Manufacturer's declaration"

Drawings

Housing - HC-STA-D07-CHWSCF-1TTP11-EL-AL - 1419245

Dimensional drawing



Dimensional drawing

Classifications

eCl@ss

eCl@ss 10.0.1	27440202
eCl@ss 5.1	27261200
eCl@ss 6.0	27261200
eCl@ss 7.0	27440202
eCl@ss 8.0	27440202
eCl@ss 9.0	27440202

ETIM

ETIM 5.0	EC000437
ETIM 6.0	EC000437

Housing - HC-STA-D07-CHWSCF-1TTP11-EL-AL - 1419245

Classifications

ETIM

ETIM 7.0	EC000437
----------	----------

UNSPSC

UNSPSC 13.2	31261501
UNSPSC 18.0	31261501
UNSPSC 19.0	31261501
UNSPSC 20.0	31261501
UNSPSC 21.0	31261501

Approvals

Approvals

Approvals

EAC / DNV GL

Ex Approvals

Approval details

EAC		RU C- DE.AI30.B.01102
-----	--	--------------------------

DNV GL		https://approvalfinder.dnvgl.com/	TAE000037S
--------	--	---	------------

Accessories

Accessories

Full screw connection

Cable gland - G-INS-PG11-S68N-NNES-S - 1411172



Cable gland, cable gland material: Nickel-plated brass, external cable diameter 5 mm ... 10 mm, shielding: no, connecting thread: Pg11, color: silver, with O-ring

Housing - HC-STA-D07-CHWSCF-1TTP11-EL-AL - 1419245

Accessories

Cable gland - G-INSEC-PG11-S68N-NNES-S - 1411197



Cable gland, cable gland material: Nickel-plated brass, external cable diameter 5 mm ... 10 mm, shielding: yes, connecting thread: Pg11, color: silver, with O-ring

Cable gland - G-INS-PG11-S68N-PNES-GY - 1411142



Cable gland, cable gland material: PA, external cable diameter 5 mm ... 10 mm, shielding: no, connecting thread: Pg11, color: silver-gray RAL 7001

Cable gland - G-INS-PG11-M68N-PNES-BK - 1424497



Cable gland, cable gland material: PA, external cable diameter 5 mm ... 10 mm, shielding: no, connecting thread: Pg11, color: jet black RAL 9005

Housing latches

Housing brackets - HC-D07-SL-PLBK - 1424440



Replacement latch for HC-D7 housing

Labeled device marker

Plastic label - US-EMLP (20X9) CUS - 0830085



Plastic label, can be ordered: by card, white, labeled according to customer specifications, mounting type: adhesive, lettering field size: 20 x 9 mm, Number of individual labels: 75

Phoenix Contact 2020 © - all rights reserved
<http://www.phoenixcontact.com>

PHOENIX CONTACT GmbH & Co. KG
Flachmarktstr. 8
32825 Blomberg
Germany
Tel. +49 5235 300
Fax +49 5235 3 41200
<http://www.phoenixcontact.com>

X-ON Electronics

Largest Supplier of Electrical and Electronic Components

Click to view similar products for [Heavy Duty Power Connectors](#) category:

Click to view products by [Phoenix Contact](#) manufacturer:

Other Similar products are found below :

[647757-1](#) [6643411-1](#) [6646058-2](#) [6646137-1](#) [6646138-1](#) [6646479-1](#) [6646608-1](#) [6646786-1](#) [6646940-1](#) [6651091-1](#) [6651525-1](#) [6651529-1](#)
[6651788-1](#) [696475-1](#) [702-32-01109](#) [703-25-02205](#) [73000005059](#) [73000005642](#) [765-15-0080A](#) [765-16-0080B](#) [765-18-0080D](#) [829992-1](#)
[902-77-02113](#) [PS00/A0620/6300](#) [129-1J](#) [1409400](#) [AN0024023](#) [E6374G1](#) [e6389g2](#) [157-43GW8](#) [MS3117-14AC](#) [1643543-1](#) [1650540-1](#)
[1651811-2](#) [1766260-1](#) [1766282-1](#) [1766966-1](#) [1791340000](#) [NLDFT-3-BL-L-S120-M40A](#) [NLDFT-N-W-L-C240-M40B](#) [NLS-2-R-C240-](#)
[M40B](#) [NLS-N-W-C240-M40B](#) [NPS-3-BL-T6](#) [1986615-1](#) [2-1589900-8](#) [2199314-1](#) [KA8102](#) [9300480317](#) [SBS50BRN#6](#) [29131](#)