

# Housing - HC-STA-D07-BWSCM-EL-AL - 1419250


Please be informed that the data shown in this PDF Document is generated from our Online Catalog. Please find the complete data in the user's documentation. Our General Terms of Use for Downloads are valid (<http://phoenixcontact.com/download>)



Panel mounting base D7, with single locking latch, material: Die-cast aluminum, salt water resistant, protective cover material: PA, height: 25.5 mm, cable gland: none, support sleeve: no, protective cover: yes, Standard, for pin inserts



## Key Commercial Data

Packing unit	1 pc
GTIN	 4 0 5 5 6 2 6 1 5 9 8 1 2
GTIN	4055626159812

## Technical data

### Dimensions

Height	25.5 mm
Width	34.2 mm
Length	24.2 mm
Length of the assembly cutout	21 mm
Width of the assembly cutout	21 mm

### Ambient conditions

Degree of protection (IP)	IP66 (with locked protective cover)
	IP67 (when plugged in)
Ambient temperature (operation)	-40 °C ... 125 °C

### General

Note	for contact inserts HC-A03, A04, D07, D08, Q02, Q03, Q04, Q05, Q07, Q12
Size	D7
Housing type	Panel mounting base
Color	gray aluminum
Locking type	with single locking latch
Screw connection	none

## Housing - HC-STA-D07-BWSCM-EL-AL - 1419250

### Technical data

#### General

Protective cover	yes
Housing material	Die-cast aluminum, salt water resistant
Housing surface material	uncoated
Seal material	NBR, conductive
Material lock	PA
Material, protective cover	PA
Flammability rating according to UL 94	V0 (Interlock)
	V0 (Protective cover)
Assembly instructions	For mounting pin inserts

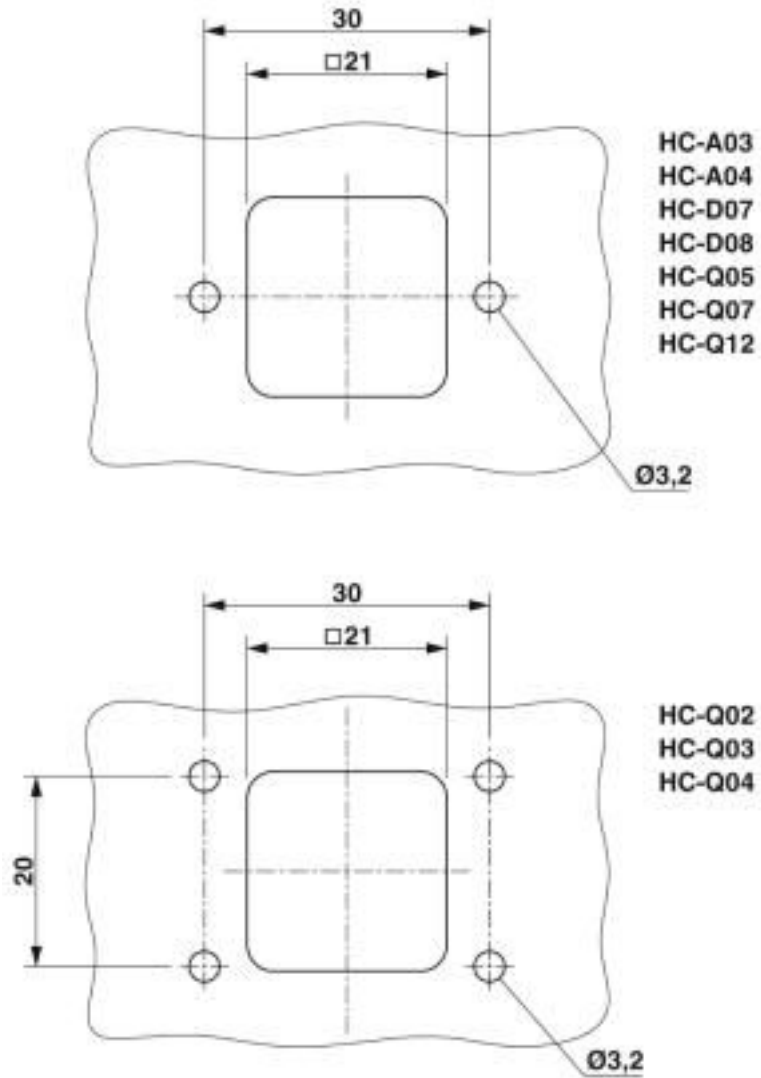
#### Environmental Product Compliance

China RoHS	Environmentally Friendly Use Period = 50 years
	For details about hazardous substances go to tab "Downloads", Category "Manufacturer's declaration"

### Drawings

# Housing - HC-STA-D07-BWSCM-EL-AL - 1419250

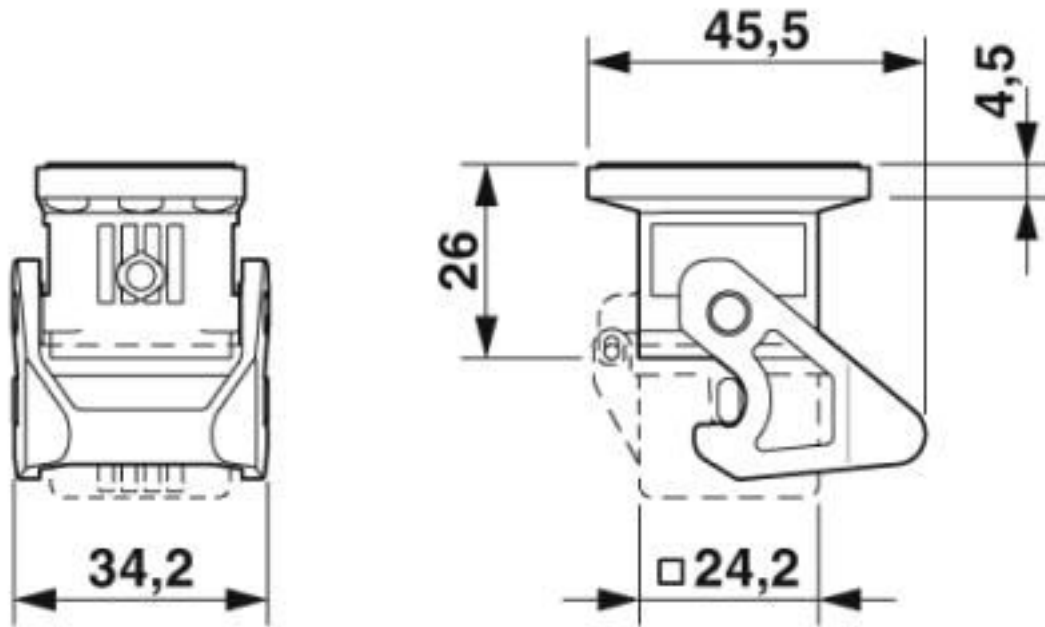
Dimensional drawing



Mounting cutout

# Housing - HC-STA-D07-BWSCM-EL-AL - 1419250

Dimensional drawing



Dimensional drawing

## Classifications

eCl@ss

eCl@ss 10.0.1	27440202
eCl@ss 5.1	27261200
eCl@ss 6.0	27261200
eCl@ss 7.0	27440202
eCl@ss 8.0	27440202
eCl@ss 9.0	27440202

ETIM

ETIM 5.0	EC000437
ETIM 6.0	EC000437
ETIM 7.0	EC000437

UNSPSC

UNSPSC 13.2	31261501
UNSPSC 18.0	31261501
UNSPSC 19.0	31261501
UNSPSC 20.0	31261501
UNSPSC 21.0	31261501

# Housing - HC-STA-D07-BWSCM-EL-AL - 1419250

## Approvals

Approvals

---

Approvals

EAC / DNV GL

---

Ex Approvals

---

## Approval details

EAC		RU C- DE.AI30.B.01102
-----	--	--------------------------

DNV GL		<a href="https://approvalfinder.dnvgl.com/">https://approvalfinder.dnvgl.com/</a>	TAE000037S
--------	--	-----------------------------------------------------------------------------------	------------

## Accessories

Accessories

Housing latches

Housing brackets - HC-D07-SL-PLBK - 1424440



Replacement latch for HC-D7 housing

## Labeled device marker

Plastic label - US-EMLP (20X9) CUS - 0830085



Plastic label, can be ordered: by card, white, labeled according to customer specifications, mounting type: adhesive, lettering field size: 20 x 9 mm, Number of individual labels: 75

## Seal

## Housing - HC-STA-D07-BWSCM-EL-AL - 1419250

### Accessories

Seal - HC-D07-SG-RBK - 1424441



Replacement seal for HC-D7 housing

---

Phoenix Contact 2020 © - all rights reserved  
<http://www.phoenixcontact.com>

PHOENIX CONTACT GmbH & Co. KG  
Flachsmarktstr. 8  
32825 Blomberg  
Germany  
Tel. +49 5235 300  
Fax +49 5235 3 41200  
<http://www.phoenixcontact.com>

## X-ON Electronics

Largest Supplier of Electrical and Electronic Components

*Click to view similar products for [Heavy Duty Power Connectors](#) category:*

*Click to view products by [Phoenix Contact](#) manufacturer:*

Other Similar products are found below :

[647757-1](#) [6643411-1](#) [6646058-2](#) [6646137-1](#) [6646138-1](#) [6646479-1](#) [6646608-1](#) [6646786-1](#) [6646940-1](#) [6651091-1](#) [6651525-1](#) [6651529-1](#)  
[6651788-1](#) [696475-1](#) [702-32-01109](#) [703-25-02205](#) [73000005059](#) [73000005642](#) [73080965046](#) [765-15-0080A](#) [765-16-0080B](#) [765-18-0080D](#)  
[829992-1](#) [902-77-02113](#) [PS00/A0620/6300](#) [129-1J](#) [1409400](#) [AN0024023](#) [E6374G1](#) [e6389g2](#) [157-43GW8](#) [MS3117-14AC](#) [1643543-1](#)  
[1650540-1](#) [1651811-2](#) [1766260-1](#) [1766282-1](#) [1766966-1](#) [1791340000](#) [NLDFT-3-BL-L-S120-M40A](#) [NLDFT-N-W-L-C240-M40B](#) [NLS-2-R-](#)  
[C240-M40B](#) [NLS-N-W-C240-M40B](#) [NPS-3-BL-T6](#) [1986615-1](#) [2-1589900-8](#) [2199314-1](#) [KA8102](#) [9300480317](#) [SBS50BRN#6](#)