

Housing - HC-STA-D07-CHWSCF-1TGM25-PL-BK - 1419262

Please be informed that the data shown in this PDF Document is generated from our Online Catalog. Please find the complete data in the user's documentation. Our General Terms of Use for Downloads are valid (<http://phoenixcontact.com/download>)




Coupling housings D7, with single locking latch, material: PA, protective cover material: PA, cable outlets: 1, straight, height: 60.5 mm, cable gland: with, support sleeve: no, 1x M25, protective cover: yes, Standard, for socket inserts



COMPLIES WITH

Key Commercial Data

| | |
|--------------|---|
| Packing unit | 1 pc |
| GTIN |  4 055626 160139 |
| GTIN | 4055626160139 |

Technical data

Dimensions

| | |
|-------------------------|-----------------|
| Height | 60.5 mm |
| Width | 26.5 mm |
| Length | 26.5 mm |
| External cable diameter | 10 mm ... 16 mm |

Ambient conditions

| | |
|---------------------------------|--|
| Degree of protection (IP) | IP66 (when plugged in or with locked protective cover) |
| Ambient temperature (operation) | -40 °C ... 125 °C |

General

| | |
|----------------------|---|
| Note | for contact inserts HC-A03, A04, D07, D08, Q02, Q03, Q04, Q05, Q07, Q12 |
| Size | D7 |
| Housing type | Coupling housings |
| Color | black |
| Locking type | with single locking latch |
| No. of cable outlets | 1 |
| Cable outlet | straight |
| Screw connection | with |

Housing - HC-STA-D07-CHWSCF-1TGM25-PL-BK - 1419262

Technical data

General

| | |
|--|-----------------------|
| Type of the screw connection | 1x M25 |
| Protective cover | yes |
| Housing material | PA |
| Material lock | PA |
| Material, protective cover | PA |
| Flammability rating according to UL 94 | V0 (Housing) |
| | V0 (Interlock) |
| | V0 (Protective cover) |

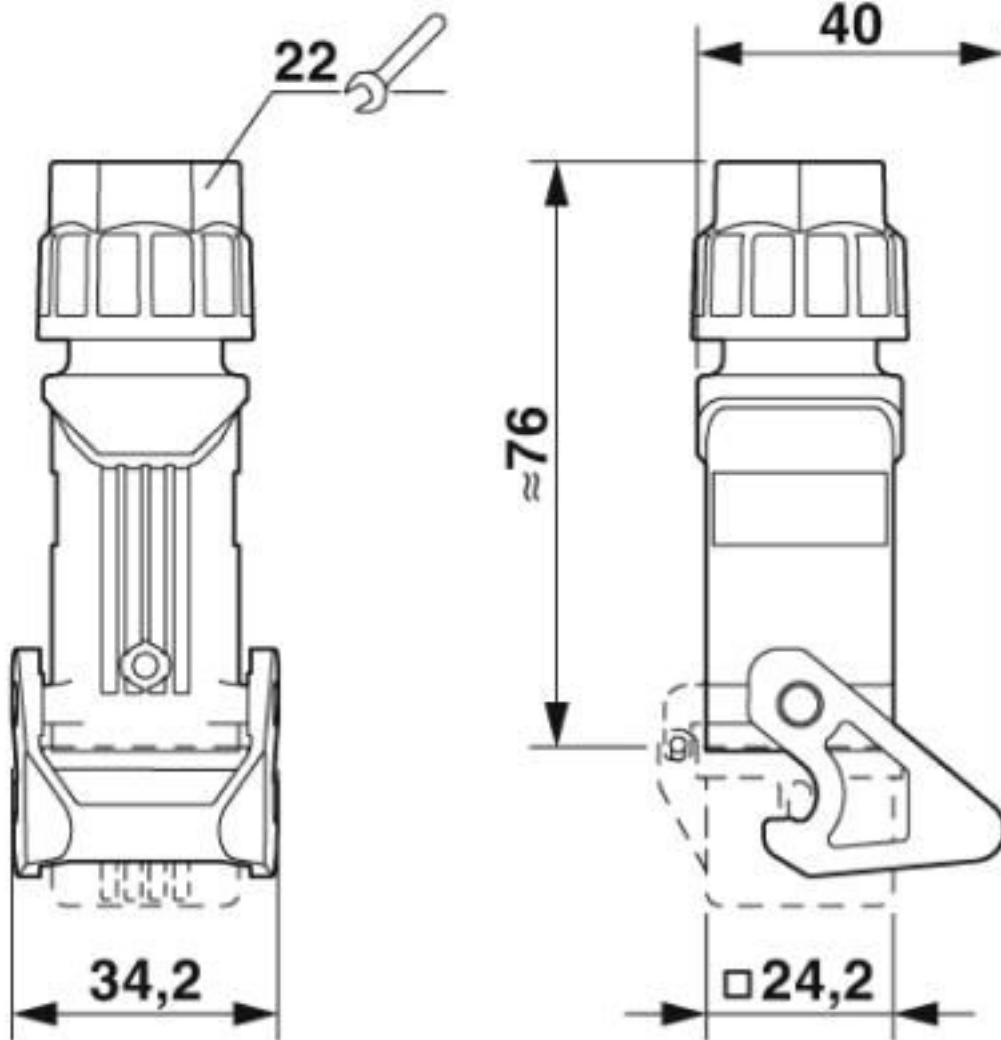
Environmental Product Compliance

| | |
|------------|---|
| REACH SVHC | Lead 7439-92-1 |
| China RoHS | Environmentally Friendly Use Period = 50 years |
| | For details about hazardous substances go to tab "Downloads", Category "Manufacturer's declaration" |

Drawings

Housing - HC-STA-D07-CHWSCF-1TGM25-PL-BK - 1419262

Dimensional drawing



Dimensional drawing

Classifications

eCl@ss

| | |
|---------------|----------|
| eCl@ss 10.0.1 | 27440202 |
| eCl@ss 5.1 | 27261200 |
| eCl@ss 6.0 | 27261200 |
| eCl@ss 7.0 | 27440202 |
| eCl@ss 8.0 | 27440202 |
| eCl@ss 9.0 | 27440202 |

ETIM

| | |
|----------|----------|
| ETIM 5.0 | EC000437 |
|----------|----------|

Housing - HC-STA-D07-CHWSCF-1TGM25-PL-BK - 1419262

Classifications

ETIM

| | |
|----------|----------|
| ETIM 6.0 | EC000437 |
| ETIM 7.0 | EC000437 |

UNSPSC

| | |
|-------------|----------|
| UNSPSC 13.2 | 31261501 |
| UNSPSC 18.0 | 31261501 |
| UNSPSC 19.0 | 31261501 |
| UNSPSC 20.0 | 31261501 |
| UNSPSC 21.0 | 31261501 |

Approvals

Approvals

Approvals

EAC / DNV GL

Ex Approvals

Approval details

| | | |
|-----|--|--------------------------|
| EAC | | RU C- DE.AI30.B.01102 |
|-----|--|--------------------------|

| | | | |
|--------|--|---|------------|
| DNV GL | | https://approvalfinder.dnvgl.com/ | TAE000037S |
|--------|--|---|------------|

Accessories

Accessories

Housing latches

Housing brackets - HC-D07-SL-PLBK - 1424440



Replacement latch for HC-D7 housing

Housing - HC-STA-D07-CHWSCF-1TGM25-PL-BK - 1419262

Accessories

Labeled device marker

Plastic label - US-EMLP (20X9) CUS - 0830085



Plastic label, can be ordered: by card, white, labeled according to customer specifications, mounting type: adhesive, lettering field size: 20 x 9 mm, Number of individual labels: 75

Phoenix Contact 2020 © - all rights reserved
<http://www.phoenixcontact.com>

PHOENIX CONTACT GmbH & Co. KG
Flachsmarktstr. 8
32825 Blomberg
Germany
Tel. +49 5235 300
Fax +49 5235 3 41200
<http://www.phoenixcontact.com>

X-ON Electronics

Largest Supplier of Electrical and Electronic Components

Click to view similar products for [Heavy Duty Power Connectors](#) category:

Click to view products by [Phoenix Contact](#) manufacturer:

Other Similar products are found below :

[647757-1](#) [6643411-1](#) [6646058-2](#) [6646137-1](#) [6646138-1](#) [6646479-1](#) [6646608-1](#) [6646786-1](#) [6646940-1](#) [6651091-1](#) [6651525-1](#) [6651529-1](#)
[6651788-1](#) [696475-1](#) [702-32-01109](#) [703-25-02205](#) [73000005059](#) [73000005642](#) [765-15-0080A](#) [765-16-0080B](#) [765-18-0080D](#) [829992-1](#)
[902-77-02113](#) [PS00/A0620/6300](#) [129-1J](#) [1409400](#) [AN0024023](#) [E6374G1](#) [e6389g2](#) [157-43GW8](#) [MS3117-14AC](#) [1643543-1](#) [1650540-1](#)
[1651811-2](#) [1766260-1](#) [1766282-1](#) [1766966-1](#) [1791340000](#) [NLDFT-3-BL-L-S120-M40A](#) [NLDFT-N-W-L-C240-M40B](#) [NLS-2-R-C240-](#)
[M40B](#) [NLS-N-W-C240-M40B](#) [NPS-3-BL-T6](#) [1986615-1](#) [2-1589900-8](#) [2199314-1](#) [KA8102](#) [9300480317](#) [SBS50BRN#6](#) [29131](#)