

# Housing - HC-STA-D07-BWS-PL-BK - 1419265

Please be informed that the data shown in this PDF Document is generated from our Online Catalog. Please find the complete data in the user's documentation. Our General Terms of Use for Downloads are valid (<http://phoenixcontact.com/download>)



Panel mounting base D7, with single locking latch, material: PA, height: 25.5 mm, cable gland: none, support sleeve: no, Standard



COMPLIES WITH

## Key Commercial Data

|              |               |
|--------------|---------------|
| Packing unit | 1 pc          |
| GTIN         |               |
| GTIN         | 4055626160160 |

## Technical data

### Dimensions

|                               |         |
|-------------------------------|---------|
| Height                        | 25.5 mm |
| Width                         | 34.2 mm |
| Length                        | 24.2 mm |
| Length of the assembly cutout | 21 mm   |
| Width of the assembly cutout  | 21 mm   |

### Ambient conditions

|                                 |                   |
|---------------------------------|-------------------|
| Degree of protection (IP)       | IP66              |
| Ambient temperature (operation) | -40 °C ... 125 °C |

### General

|                  |   |
|------------------|---|
| Note             | for contact inserts HC-A03, A04, D07, D08, Q02, Q03, Q04, Q05, Q07, Q12 |
| Size             | D7  |
| Housing type     | Panel mounting base   |
| Color            | black   |
| Locking type     | with single locking latch   |
| Screw connection | none  |
| Housing material | PA  |

## Housing - HC-STA-D07-BWS-PL-BK - 1419265

### Technical data

#### General

|  |                |
|--|----------------|
| Seal material                          | NBR            |
| Material lock                          | PA             |
| Flammability rating according to UL 94 | V0 (Housing)   |
|  | V0 (Interlock) |

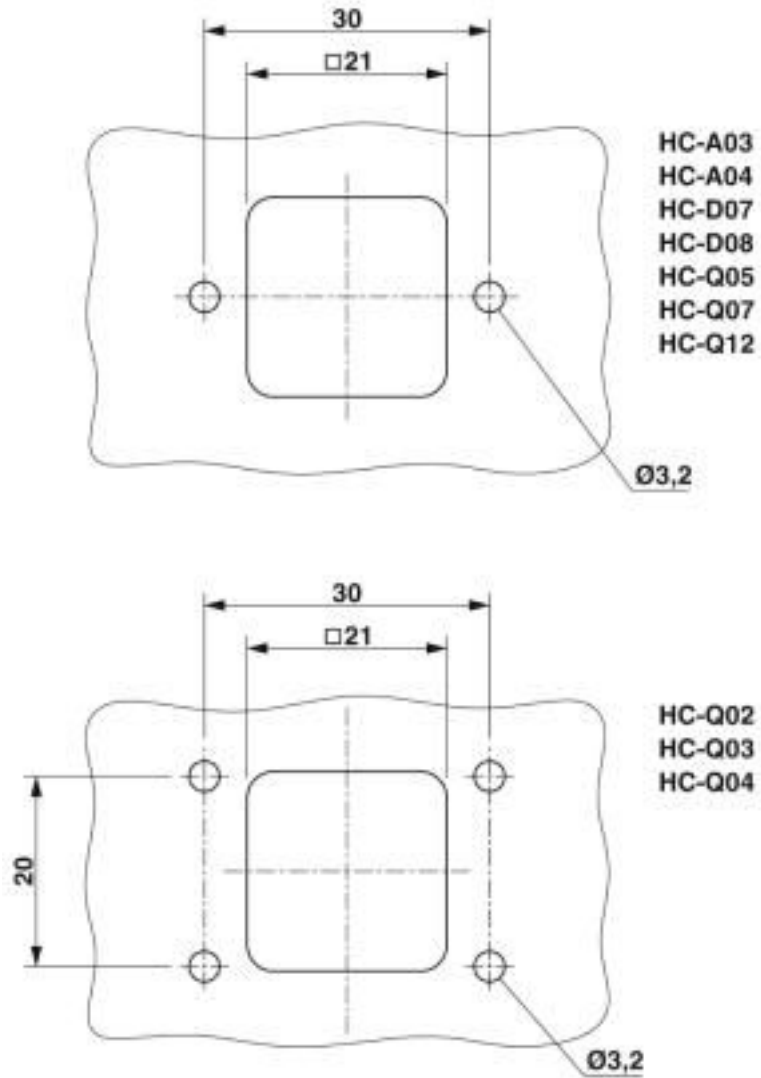
#### Environmental Product Compliance

|            |   |
|------------|---|
| China RoHS | Environmentally Friendly Use Period = 50 years  |
|            | For details about hazardous substances go to tab "Downloads", Category "Manufacturer's declaration" |

### Drawings

# Housing - HC-STA-D07-BWS-PL-BK - 1419265

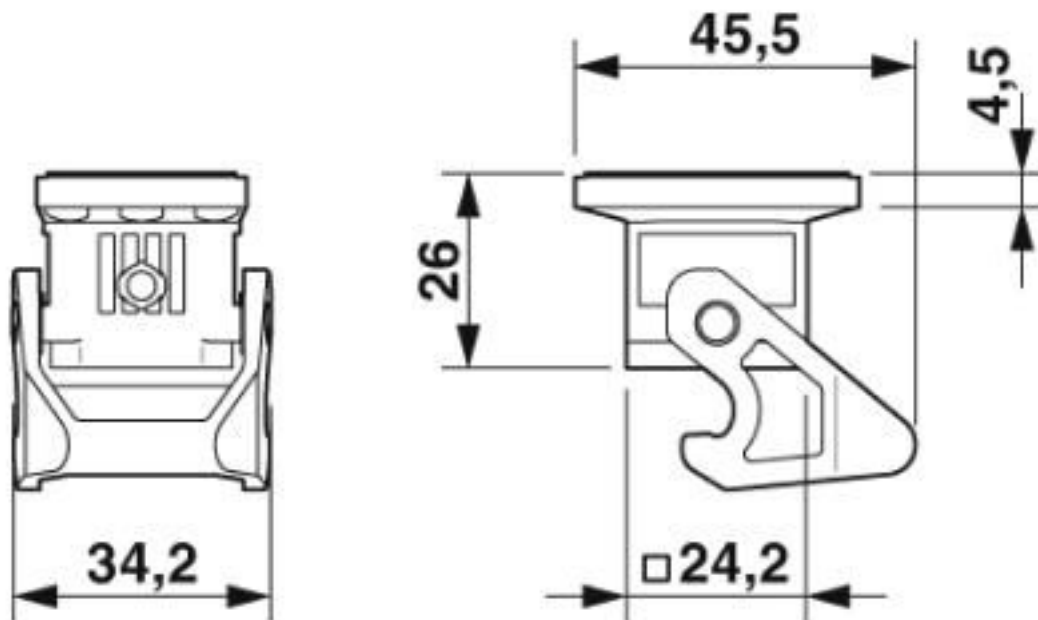
Dimensional drawing



Mounting cutout

# Housing - HC-STA-D07-BWS-PL-BK - 1419265

Dimensional drawing



Dimensional drawing

## Classifications

### eCl@ss

|               |          |
|---------------|----------|
| eCl@ss 10.0.1 | 27440202 |
| eCl@ss 5.1    | 27261200 |
| eCl@ss 6.0    | 27261200 |
| eCl@ss 7.0    | 27440202 |
| eCl@ss 8.0    | 27440202 |
| eCl@ss 9.0    | 27440202 |

### ETIM

|          |          |
|----------|----------|
| ETIM 5.0 | EC000437 |
| ETIM 6.0 | EC000437 |
| ETIM 7.0 | EC000437 |

### UNSPSC

|             |          |
|-------------|----------|
| UNSPSC 13.2 | 31261501 |
| UNSPSC 18.0 | 31261501 |
| UNSPSC 19.0 | 31261501 |
| UNSPSC 20.0 | 31261501 |
| UNSPSC 21.0 | 31261501 |

# Housing - HC-STA-D07-BWS-PL-BK - 1419265

## Approvals

### Approvals

---

Approvals

EAC / DNV GL

---

Ex Approvals

---

### Approval details

|     |  |                          |
|-----|--|--------------------------|
| EAC |  | RU C-<br>DE.AI30.B.01102 |
|-----|--|--------------------------|

|        |  |   |            |
|--------|--|---|------------|
| DNV GL |  | <a href="https://approvalfinder.dnvgl.com/">https://approvalfinder.dnvgl.com/</a> | TAE000037S |
|--------|--|---|------------|

## Accessories

### Accessories

#### Housing latches

Housing brackets - HC-D07-SL-PLBK - 1424440



Replacement latch for HC-D7 housing

### Labeled device marker

Plastic label - US-EMLP (20X9) CUS - 0830085



Plastic label, can be ordered: by card, white, labeled according to customer specifications, mounting type: adhesive, lettering field size: 20 x 9 mm, Number of individual labels: 75

### Seal

## Housing - HC-STA-D07-BWS-PL-BK - 1419265

### Accessories

Seal - HC-D07-SG-RBK - 1424441



Replacement seal for HC-D7 housing

---

Phoenix Contact 2020 © - all rights reserved  
<http://www.phoenixcontact.com>

PHOENIX CONTACT GmbH & Co. KG  
Flachsmarktstr. 8  
32825 Blomberg  
Germany  
Tel. +49 5235 300  
Fax +49 5235 3 41200  
<http://www.phoenixcontact.com>

## X-ON Electronics

Largest Supplier of Electrical and Electronic Components

*Click to view similar products for [Heavy Duty Power Connectors](#) category:*

*Click to view products by [Phoenix Contact](#) manufacturer:*

Other Similar products are found below :

[647757-1](#) [6643411-1](#) [6646058-2](#) [6646137-1](#) [6646138-1](#) [6646479-1](#) [6646608-1](#) [6646786-1](#) [6646940-1](#) [6651091-1](#) [6651525-1](#) [6651529-1](#)  
[6651788-1](#) [696475-1](#) [702-32-01109](#) [703-25-02205](#) [73000005059](#) [73000005642](#) [73080255059](#) [73080965046](#) [765-15-0080A](#) [765-16-0080B](#)  
[765-18-0080D](#) [829992-1](#) [902-77-02113](#) [PS00/A0620/6300](#) [PS25/A0420/63](#) [129-1J](#) [1409400](#) [AN0024023](#) [E6374G1](#) [e6389g2](#) [157-43GW8](#)  
[MS3117-14AC](#) [1643543-1](#) [1650540-1](#) [1651811-2](#) [1766260-1](#) [1766282-1](#) [1766966-1](#) [1791340000](#) [NLDFT-3-BL-L-S120-M40A](#) [NLDFT-N-](#)  
[W-L-C240-M40B](#) [NLS-2-R-C240-M40B](#) [NLS-N-W-C240-M40B](#) [NPS-3-BL-T6](#) [1986615-1](#) [2-1589900-8](#) [2199314-1](#) [KA8102](#)