

# Housing screw connection - SACC-BP-F-M12/ THR-3,1/3,9-9TIP - 1419634

Please be informed that the data shown in this PDF Document is generated from our Online Catalog. Please find the complete data in the user's documentation. Our General Terms of Use for Downloads are valid (<http://phoenixcontact.com/download>)



M12 threaded sleeve with tolerance-compensating function, for straight, THR solderable M12 socket contact inserts. Suitable for 3.1 mm ... 3.9 mm thick front plates.

## Your advantages

- Tolerance-compensating function between PCB and housing
- Prevents force being applied to soldering spots
- Easy integration thanks to tool-free mounting
- Optional port sealing without protective cap



## Key Commercial Data

Packing unit	10 pc
Minimum order quantity	10 pc
GTIN	
GTIN	4055626189611

## Technical data

### Ambient conditions

Ambient temperature (operation)	-25 °C ... 85 °C (Plug / socket)
	-40 °C ... 85 °C (without mechanical actuation)
Degree of protection	IP67 (correctly plugged in and locked)

### General

Note	The electrical and mechanical data specified assume that the connector pair is correctly locked and mounted. If the connector is unlocked and if there is a danger of pollution, the connector must be sealed using a protective cap > IP54. The M12 housing screw connection can only be used in conjunction with mating connectors and protective caps with M12 standard thread. Mating connectors with SPEEDCON thread cannot be used.
Standards/regulations	M12 connector IEC 61076-2-101

# Housing screw connection - SACC-BP-F-M12/ THR-3,1/3,9-9TIP - 1419634

## Technical data

### General

Insertion/withdrawal cycles	> 100
Torque	0.6 Nm (Tightening torque of mating connector)
Mounting type	Rear mounting 2-section, lockable

### Material

Flammability rating according to UL 94	V0
Sealing material	FKM (Form seal)
Additional material specifications	Zinc die-cast, nickel-plated (Threaded sleeve)

### Cable

Standards/specifications	M12 connector IEC 61076-2-101
--------------------------	-------------------------------

### Standards and Regulations

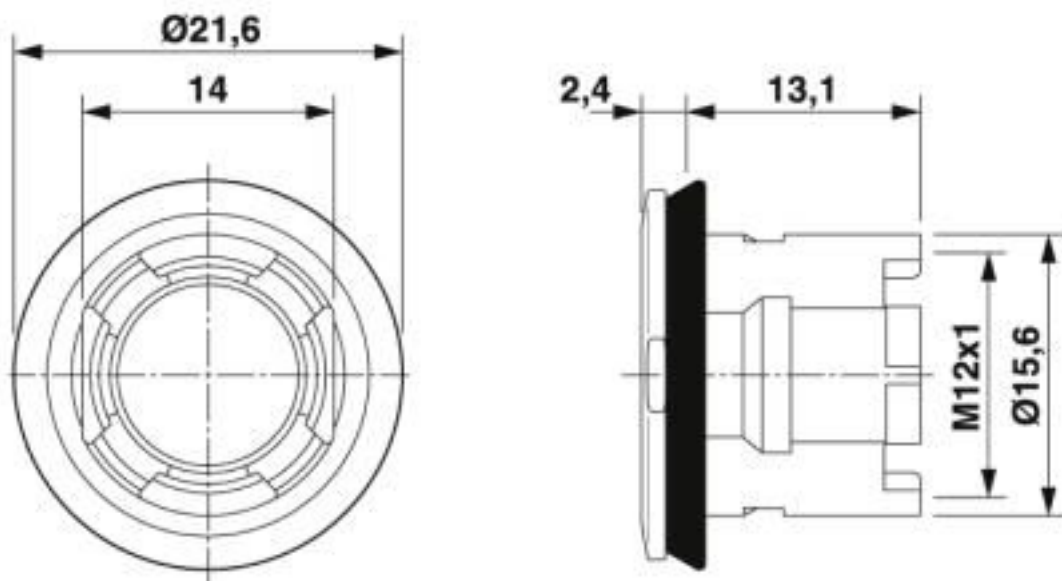
Standards/specifications	M12 connector IEC 61076-2-101
Flammability rating according to UL 94	V0

### Environmental Product Compliance

China RoHS	Environmentally Friendly Use Period = 50 years
	For details about hazardous substances go to tab "Downloads", Category "Manufacturer's declaration"

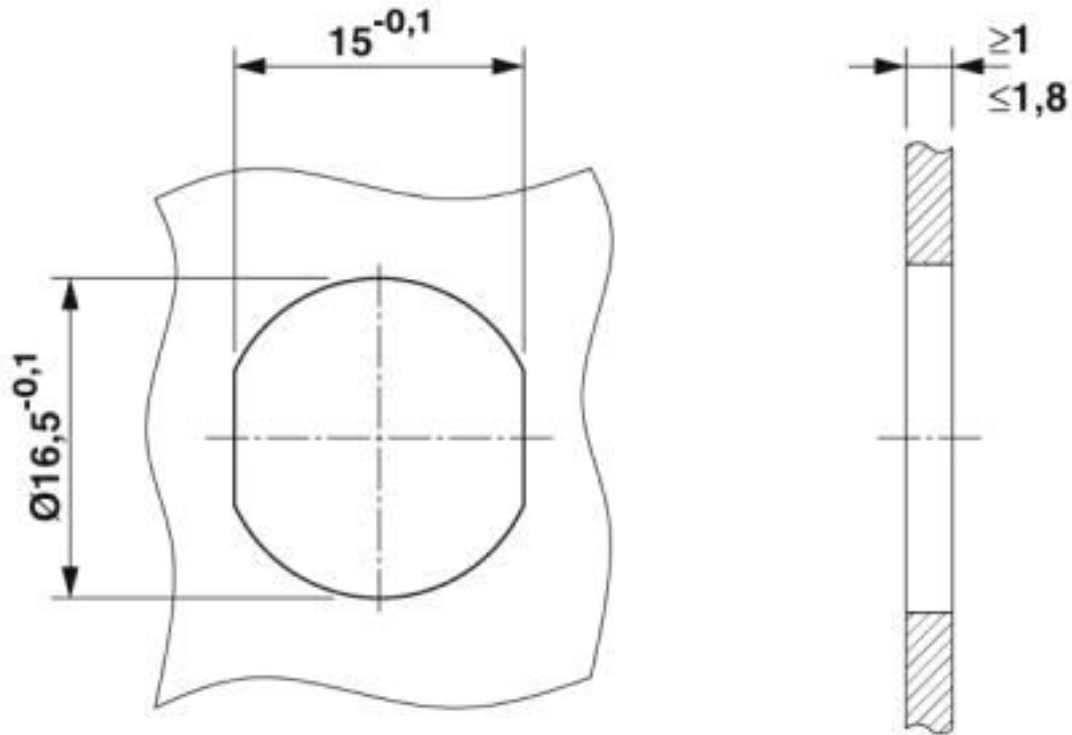
## Drawings

Dimensional drawing



# Housing screw connection - SACC-BP-F-M12/ THR-3,1/3,9-9TIP - 1419634

Dimensional drawing



Mounting cutout

## Classifications

eCl@ss

eCl@ss 10.0.1	27440102
eCl@ss 5.1	27143423
eCl@ss 6.0	27279200
eCl@ss 7.0	27440103
eCl@ss 8.0	27440103
eCl@ss 9.0	27440102

ETIM

ETIM 5.0	EC002061
ETIM 6.0	EC002061

UNSPSC

UNSPSC 13.2	39121413
UNSPSC 18.0	39121413
UNSPSC 19.0	39121413
UNSPSC 20.0	39121413

# Housing screw connection - SACC-BP-F-M12/ THR-3,1/3,9-9TIP - 1419634

## Classifications

### UNSPSC

UNSPSC 21.0	39121413
-------------	----------

## Accessories

### Accessories

#### Panel mounting base

#### Housing screw connection - SACC-BP-F-FIX/NUT-BL-THR - 1417782



Fixing sleeve for M12 housing screw connection with tolerance-compensating function, for THR solderable M12 socket contact inserts.

---

#### Housing screw connection - SACC-BP-F-FIX/NUT-CY-THR - 1417783



Fixing sleeve for M12 housing screw connection with tolerance-compensating function, for THR solderable M12 socket contact inserts.

---

#### Housing screw connection - SACC-BP-F-FIX/NUT-RD-THR - 1417784



Fixing sleeve for M12 housing screw connection with tolerance-compensating function, for THR solderable M12 socket contact inserts.

---

#### Housing screw connection - SACC-BP-F-FIX/NUT-YE-THR - 1417785



Fixing sleeve for M12 housing screw connection with tolerance-compensating function, for THR solderable M12 socket contact inserts.

## Housing screw connection - SACC-BP-F-M12/ THR-3,1/3,9-9TIP - 1419634

### Accessories

Housing screw connection - SACC-BP-F-FIX/NUT-GN-THR - 1417787



Fixing sleeve for M12 housing screw connection with tolerance-compensating function, for THR solderable M12 socket contact inserts.

---

Housing screw connection - SACC-BP-F-FIX/NUT-VT-THR - 1417788



Fixing sleeve for M12 housing screw connection with tolerance-compensating function, for THR solderable M12 socket contact inserts.

---

Housing screw connection - SACC-BP-F-FIX/NUT-OR-THR - 1417789



Fixing sleeve for M12 housing screw connection with tolerance-compensating function, for THR solderable M12 socket contact inserts.

---

Housing screw connection - SACC-BP-F-FIX/NUT-BK-THR - 1419697



Fixing sleeve for M12 housing screw connection with tolerance-compensating function, for THR solderable M12 socket contact inserts.

---

Phoenix Contact 2020 © - all rights reserved  
<http://www.phoenixcontact.com>

PHOENIX CONTACT GmbH & Co. KG  
Flachsmarktstr. 8  
32825 Blomberg  
Germany  
Tel. +49 5235 300  
Fax +49 5235 3 41200  
<http://www.phoenixcontact.com>

## X-ON Electronics

Largest Supplier of Electrical and Electronic Components

*Click to view similar products for [Circular Metric Connectors](#) category:*

*Click to view products by [Phoenix Contact](#) manufacturer:*

Other Similar products are found below :

[600X518037X](#) [6STD15PCR99B70A](#) [8R4000A16M020](#) [8R5000A16M005](#) [1200910002](#) [1203580030](#) [1200910008](#) [1200910011](#) [1300140094](#)  
[130203-0054](#) [1300140026](#) [1300150099](#) [RF-12S1N8A90DU](#) [1-3637-600-5205](#) [1612618](#) [21036836414](#) [8R4006A16M010](#) [1604232](#)  
[1R3006A20M005](#) [RF-12P1N8A90DU](#) [41-40011](#) [42-00006](#) [42-01015](#) [4-22279-4](#) [4-22281-1](#) [4-22284-9](#) [43-00113](#) [43-01088](#) [43-01203](#) [41-](#)  
[40013](#) [42-00008](#) [43-00343](#) [43-01026](#) [43-01162](#) [43-01173](#) [43-10000](#) [XS3P-M421-2](#) [600X518050X](#) [SACC-DSI-FS-5P-PG9-L180 SC](#)  
[8R5006A16M020](#) [8R5006A16M005](#) [8R4000A16M010](#) [6-22279-3](#) [1605332](#) [N03FA03144](#) [1300140077](#) [43-16213](#) [43-01338](#) [XS2RD4265](#)  
[XS2R-D426-1](#)