

Power connectors - SACC-M12MSS-2PECON-PG 9-M - 1419639

Please be informed that the data shown in this PDF Document is generated from our Online Catalog. Please find the complete data in the user's documentation. Our General Terms of Use for Downloads are valid (<http://phoenixcontact.com/download>)




Power connectors, 3-position, Plug straight M12, Coding: S, Screw connection, knurl material: Zinc die-cast, nickel-plated, cable gland Pg9, external cable diameter 6 mm ... 8 mm, for alternating current up to 16 A/630 V, Contact 4 leading

Your advantages

- ✓ Safe use in the field, thanks to a high degree of protection
- ✓ Flexible: connectors for on-site assembly
- ✓ Screw connection: proven connection technology for a large selection of different conductors
- ✓ High-performance: AC connectors for up to 16 A and 630 V AC
- ✓ Protection against incorrect connection using special S-coding

Key Commercial Data

Packing unit	1 pc
GTIN	 4 055626 181776
GTIN	4055626181776

Technical data

Dimensions

Wrench size, union nut	16 mm
Diameter housing	20 mm
Length	60 mm
External cable diameter	6 mm ... 8 mm
Stripping length of the sheath	20 mm
Stripping length of the individual wire	5 mm

Ambient conditions

Ambient temperature (operation)	-40 °C ... 85 °C (Plug / socket)
Degree of protection	IP67

General

Power connectors - SACC-M12MSS-2PECON-PG 9-M - 1419639

Technical data

General

Note	Strip 21 mm off the cable sheath, strip 6 mm off the conductor insulation, crimp the ferrule, then shorten this to 5 mm. Conductor length with shortened ferrule: 20 mm. Connect conductors and tighten the mounting screws with 0.2 Nm.
	NOTE: Observe the permissible bending radii when laying conductors, since the degree of protection may be put in jeopardy if the bending forces are too high. Alleviate mechanical loads upstream of the connector, e.g. by using cable ties.
Rated current at 40°C	16 A (when using 2.5 mm ² conductors)
	16 A (at 40 °C)
Rated voltage	630 V AC
Number of positions	3
Color handle area	black
Insulation resistance	> 10 GΩ
Coding	S power
Standards/regulations	M12 connector IEC 61076-2-111
Status display	No
Overvoltage category	III
Degree of pollution	3
Connection method	Screw connection
Conductor cross section	0.75 mm ² ... 1.5 mm ² (without ferrule)
	0.75 mm ² ... 1.5 mm ² (with ferrule)
	0.75 mm ² ... 2.5 mm ² (solid)
Conductor cross section AWG	18 ... 14 (without ferrule)
	18 ... 16 (with ferrule)
Insertion/withdrawal cycles	> 100
Torque	0.4 Nm (M12 knurl)
	0.8 Nm ... 1 Nm (Pressure screw with sleeve housing)
	0.4 Nm (Screw plug insert with sleeve housing as far it will go)
	0.2 Nm (Screw terminal blocks)
Assembly instructions	The wires can be connected both with ferrules and without ferrules

Material

Flammability rating according to UL 94	V0
Contact material	CuZn
Contact surface material	Au
Contact carrier material	PA
Material of grip body	PA
Material, knurls	Zinc die-cast, nickel-plated
Sealing material	NBR (Cable clamping)

Standards and Regulations

Standards/specifications	M12 connector IEC 61076-2-111
Flammability rating according to UL 94	V0

Power connectors - SACC-M12MSS-2PECON-PG 9-M - 1419639

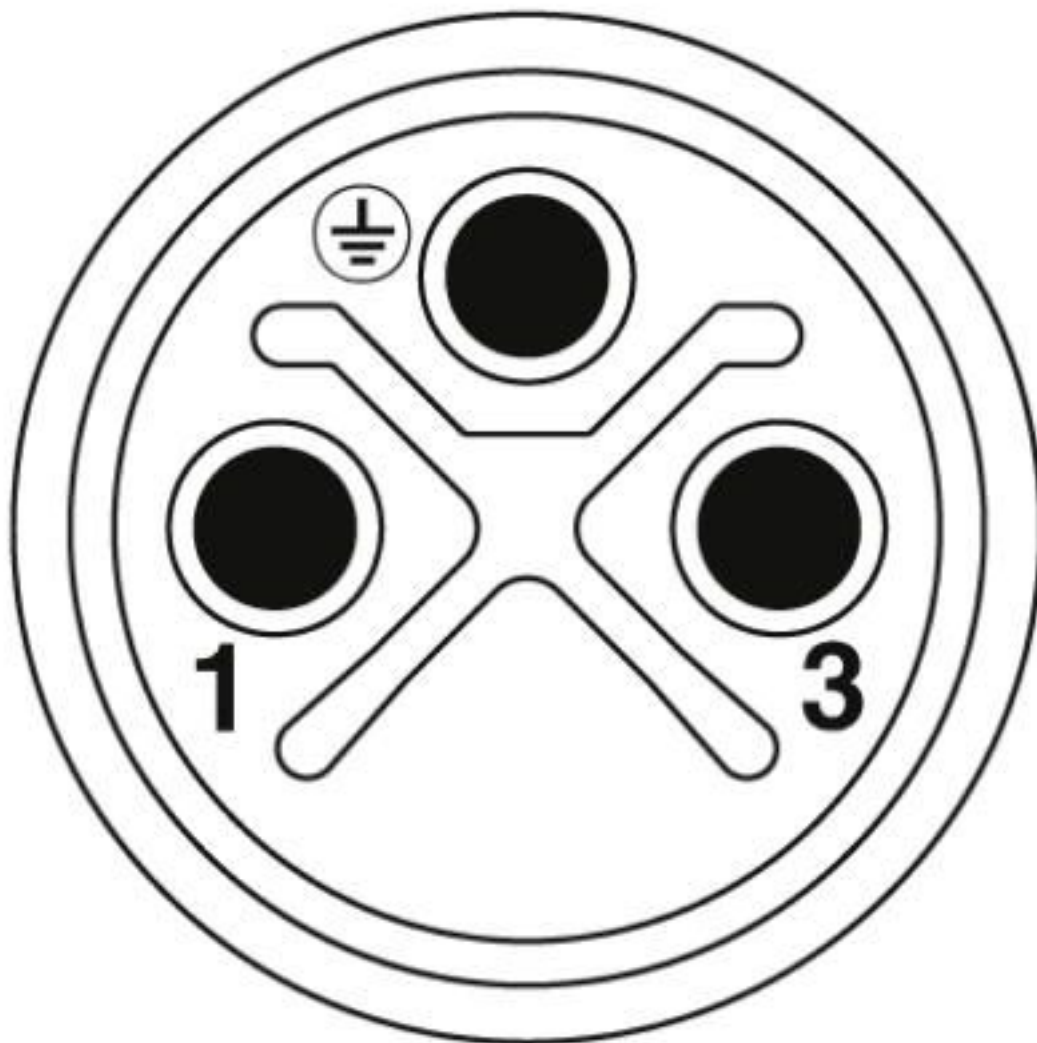
Technical data

Environmental Product Compliance

REACH SVHC	Lead 7439-92-1
China RoHS	Environmentally Friendly Use Period = 50 years
	For details about hazardous substances go to tab "Downloads", Category "Manufacturer's declaration"

Drawings

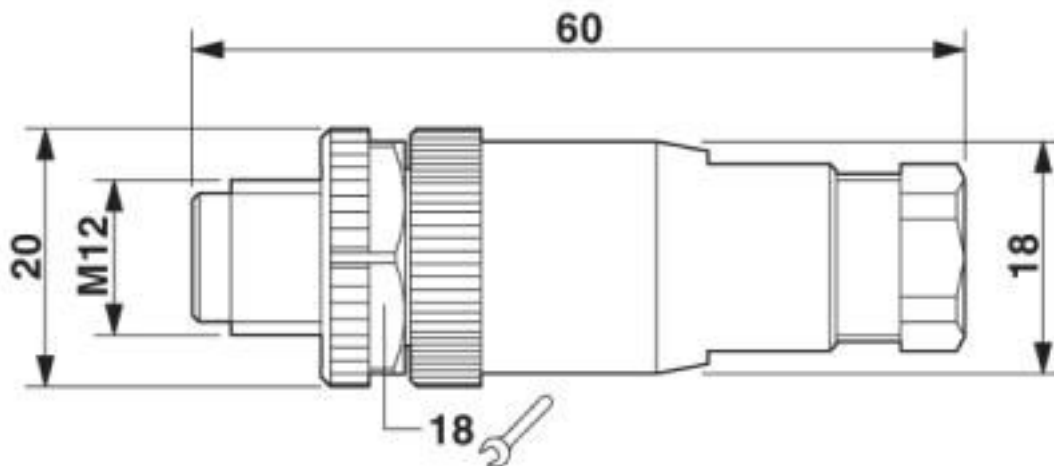
Schematic diagram



Pin assignment of M12 plug, 3-pos., S-coded, view of pin side

Power connectors - SACC-M12MSS-2PECON-PG 9-M - 1419639

Dimensional drawing



Plug, M12 x 1, straight

Classifications

eCl@ss

eCl@ss 10.0.1	27440102
eCl@ss 5.1	27143423
eCl@ss 6.0	27279200
eCl@ss 7.0	27440104
eCl@ss 8.0	27440104
eCl@ss 9.0	27440102

ETIM

ETIM 5.0	EC002635
ETIM 6.0	EC002635
ETIM 7.0	EC002635

Approvals

Approvals

Approvals

EAC / EAC / UL Recognized / cUL Recognized / cULus Recognized

Ex Approvals

Approval details

Power connectors - SACC-M12MSS-2PECON-PG 9-M - 1419639

Approvals

EAC		RU C- DE.BL08.B.00511
-----	--	--------------------------

EAC		RU C- DE.BL08.B.00511
-----	--	--------------------------

UL Recognized		http://database.ul.com/cgi-bin/XYV/template/LISEXT/1FRAME/index.htm	FILE E 221474
Nominal voltage UN		600 V	
Nominal current IN		16 A	
mm ² /AWG/kcmil		14	

cUL Recognized		http://database.ul.com/cgi-bin/XYV/template/LISEXT/1FRAME/index.htm	FILE E 221474
Nominal voltage UN		600 V	
Nominal current IN		16 A	
mm ² /AWG/kcmil		14	

cULus Recognized	
------------------	--

Accessories

Accessories

Cable end sleeve

Ferrule - Al 1,5 - 6 BK - 3200755



Ferrule, sleeve length: 6 mm, length: 12 mm, color: black

Crimping tool

Power connectors - SACC-M12MSS-2PECON-PG 9-M - 1419639

Accessories

Crimping pliers - CRIMPFOX 6H - 1212046



Crimping pliers, for ferrules without insulating collar according to DIN 46228 Part 1 and ferrules with insulating collar according to DIN 46228 Part 4, 0.14 mm² ... 6 mm², unlockable pressure lock, lateral entry

Protective cap

Sealing cap - PROT-M12 FS-PA-CHAIN - 1430873

M12 sealing cap made of plastic with fixing band, for sensor cables, for free M12 plugs



Screwdriver tools

Adapter insert - TSD-M SAC-BIT ADAPTER - 1212600



Adapter bit for TSD-M...torque tools, E6.3-1/4" drive with 4 mm hexagon to accommodate SAC bits

Tool - SACC BIT M12-D20 - 1208445



Nut for assembling M12 connectors for assembly with a knurl diameter of 20 mm, for 4 mm hexagonal drive

Stripping tool

Stripping tool - WIREFOX 6SC - 1212158



Stripping tool, for cables and conductors (especially for cables protected against short circuits and ground leakages) 1.5 - 6 mm², self-adjusting, stripping length of up to 18 mm, cutting capacity of up to 10 mm² stranded/1.5 mm² solid, replaceable stripping blade

Torque tool

Power connectors - SACC-M12MSS-2PECON-PG 9-M - 1419639

Accessories

Torque screwdriver - TSD 04 SAC - 1208429



Torque screwdriver, with preset torque of 0.4 Nm and 4 mm hexagonal drive for M12 connectors

Torque screwdriver - TSD-M 1,2NM - 1212224



Torque screw driver, accuracy as per EN ISO 6789 standard, adjustable from 0.3 - 1.2 Nm

Phoenix Contact 2020 © - all rights reserved
<http://www.phoenixcontact.com>

PHOENIX CONTACT GmbH & Co. KG
Flachsmarktstr. 8
32825 Blomberg
Germany
Tel. +49 5235 300
Fax +49 5235 3 41200
<http://www.phoenixcontact.com>

X-ON Electronics

Largest Supplier of Electrical and Electronic Components

Click to view similar products for [AC Power Plugs & Receptacles](#) category:

Click to view products by [Phoenix Contact](#) manufacturer:

Other Similar products are found below :

[739W-X2/03-BACK1](#) [85447L](#) [1301460003](#) [1301520016](#) [1301520008](#) [14W07](#) [15W07](#) [22806](#) [929662-1](#) [27W75](#) [27W81](#) [962160-1](#)
[29W08MB](#) [29W82](#) [26W](#) [26W76BLK](#) [27W47](#) [27W48](#) [28W](#) [28W81](#) [29W47MB](#) [HDR-E14FG1+](#) [30-9717-25](#) [43305](#) [85266](#) [5262DW](#) [22801](#)
[22804](#) [25W47](#) [701W-15/06](#) [701W-20/27](#) [26W75](#) [27T76](#) [29T48](#) [739W-20/XX](#) [1301860536](#) [1301520018](#) [1301520021](#) [1301520020](#)
[8210GY](#) [29W48](#) [3011-06](#) [A52S22A](#) [739W-X2/XX3](#) [26T49](#) [2707](#) [26W47-W](#) [1301450073](#) [RECWALLBOXBA](#) [1301490033](#)