

## Patch cable - VS-FSDB-IP20SDA/981/2,0 SCO - 1420171

Please be informed that the data shown in this PDF Document is generated from our Online Catalog. Please find the complete data in the user's documentation. Our General Terms of Use for Downloads are valid (<http://phoenixcontact.com/download>)



Assembled USB cable, shielded, color: black, PVC outer sheath, USB mini-B/IP20 on USB type A/IP20, length: 2 m

RoHS

### Key Commercial Data

Packing unit	1 pc
GTIN	
GTIN	4046356548601

### Technical data

#### Note

Trade restriction	The products are offered exclusively for export outside the EU and the European Economic Area.
-------------------	--

#### Mechanical characteristics

Weight	108 g
Flammability rating according to UL 94	V0

#### Ambient conditions

Ambient temperature (operation)	-25 °C ... 80 °C (cable, flexible installation)
Degree of protection	IP20 (USB type A)
	IP65 (M12 mini B)

#### Material data

Contact surface material	Ni/Au
Contact material	Cu alloy

#### Pin assignment

Contact   Color (signal designation)   Contact (optional)	1 (M12 mini B)   RD (+5 V)   1 (USB type A)
	2 (M12 mini B)   WH (DATA-)   2 (USB type A)
	3 (M12 mini B)   GN (DATA+)   3 (USB type A)

## Patch cable - VS-FSDB-IP20SDA/981/2,0 SCO - 1420171

### Technical data

#### Pin assignment

	4 (M12 mini B)   N.C.
	5 (M12 mini B)   BK (GND)   4 (USB type A)

#### Standards and Regulations

Flammability rating according to UL 94	V0
--	----

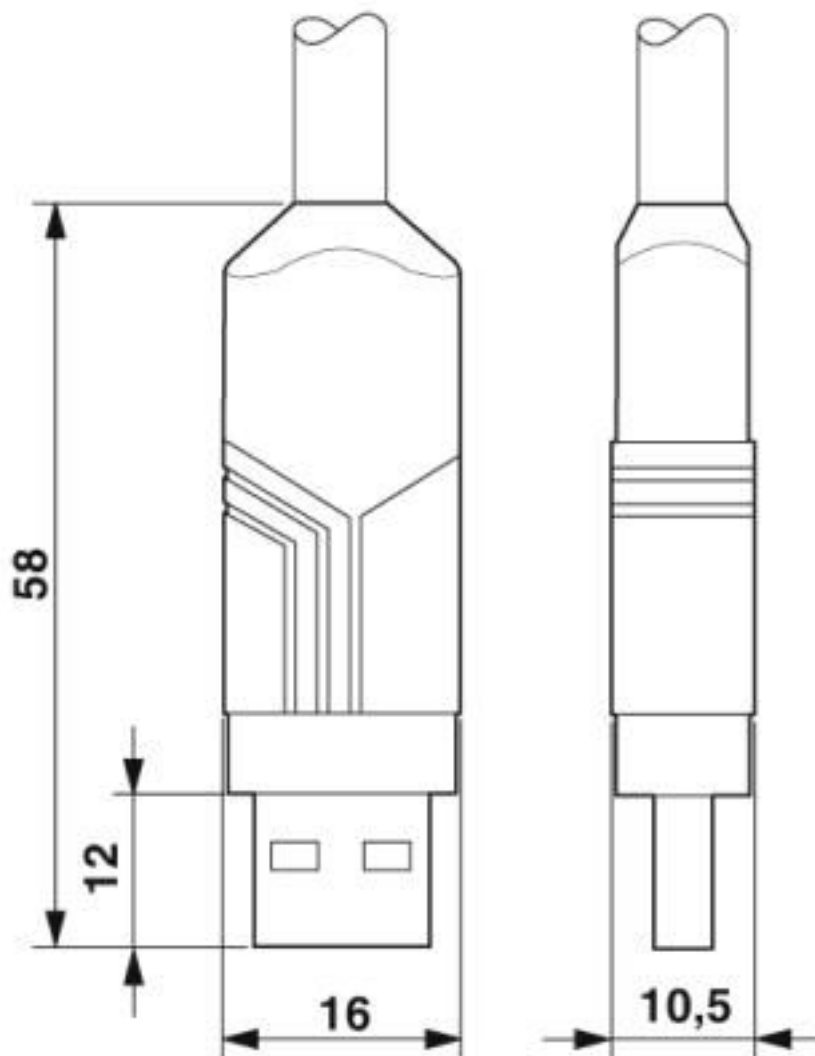
#### Environmental Product Compliance

China RoHS	Environmentally friendly use period: unlimited = EFUP-e
	No hazardous substances above threshold values

### Drawings

# Patch cable - VS-FSDB-IP20SDA/981/2,0 SCO - 1420171

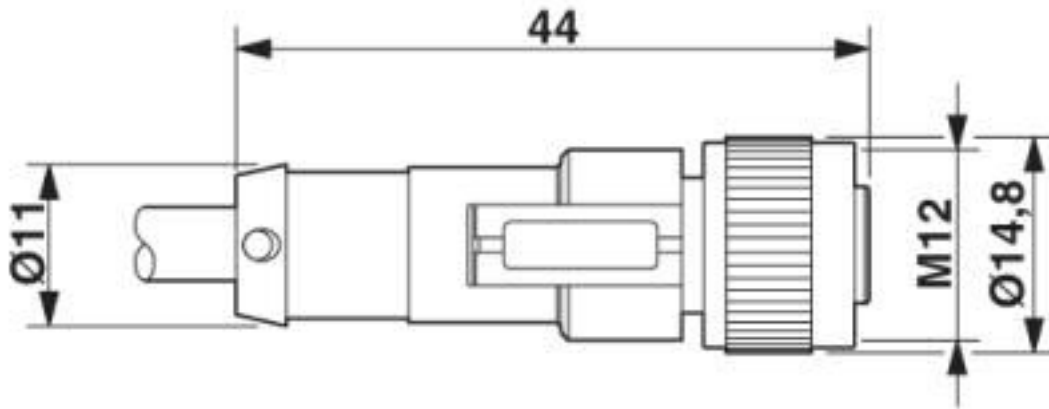
Dimensional drawing



USB connector, type A, Standard

## Patch cable - VS-FSDB-IP20SDA/981/2,0 SCO - 1420171

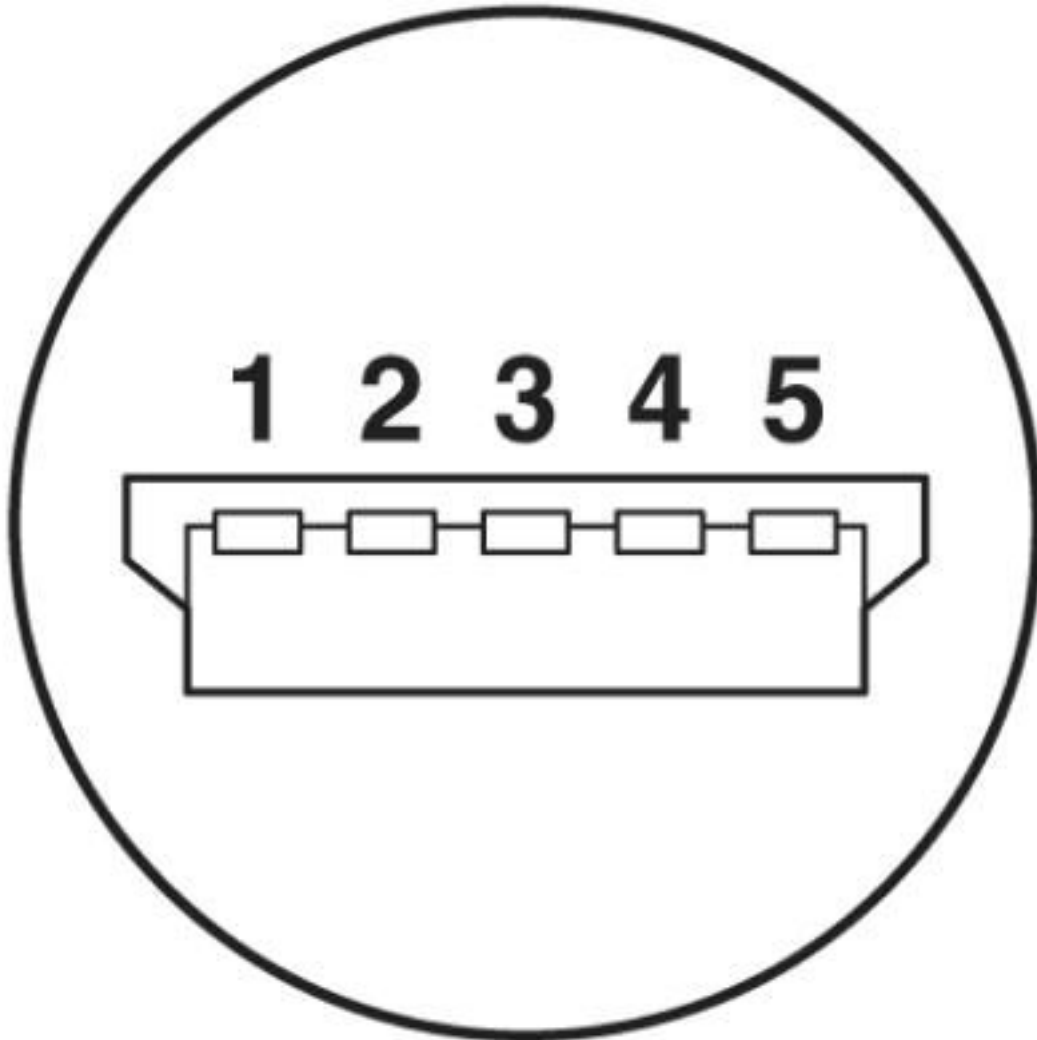
Dimensional drawing



Mini USB, M12 x 1 socket, straight

## Patch cable - VS-FSDB-IP20SDA/981/2,0 SCO - 1420171

Schematic diagram



Pin assignment plug USB, mini B

### Classifications

eCl@ss

eCl@ss 10.0.1	27060308
eCl@ss 4.0	27260700
eCl@ss 4.1	27260700
eCl@ss 5.0	27260700
eCl@ss 5.1	27269200
eCl@ss 6.0	27269200
eCl@ss 7.0	27060308
eCl@ss 8.0	27060308

# Patch cable - VS-FSDB-IP20SDA/981/2,0 SCO - 1420171

## Classifications

### eCl@ss

eCl@ss 9.0	27060308
------------	----------

### ETIM

ETIM 4.0	EC001408
ETIM 5.0	EC002599
ETIM 6.0	EC001262
ETIM 7.0	EC001262

### UNSPSC

UNSPSC 6.01	31251501
UNSPSC 7.0901	31251501
UNSPSC 11	31251501
UNSPSC 12.01	31251501
UNSPSC 13.2	26121604
UNSPSC 18.0	26121604
UNSPSC 19.0	26121604
UNSPSC 20.0	26121604
UNSPSC 21.0	26121604

## Approvals

### Approvals

Approvals

EAC-RoHS / EAC

Ex Approvals

### Approval details

EAC-RoHS		RU D- DE.HB35.B.00387
----------	--	--------------------------

EAC		EAC-Zulassung
-----	--	---------------

Phoenix Contact 2020 © - all rights reserved  
<http://www.phoenixcontact.com>

PHOENIX CONTACT GmbH & Co. KG  
Flachsmarktstr. 8  
32825 Blomberg  
Germany  
Tel. +49 5235 300  
Fax +49 5235 3 41200  
<http://www.phoenixcontact.com>

## X-ON Electronics

Largest Supplier of Electrical and Electronic Components

*Click to view similar products for [USB Cables / IEEE 1394 Cables](#) category:*

*Click to view products by [Phoenix Contact](#) manufacturer:*

Other Similar products are found below :

[68768-0173](#) [FNY-W6003-01](#) [88764-0800](#) [148700-1](#) [17-200621](#) [17-250051P](#) [954](#) [17-200261](#) [AC102012-1](#) [AC102012-2](#) [FTP-629Y601](#) [45-1345-15](#) [45-1358-15](#) [45-1363-15](#) [IP-USB1\(C10\)S-RW](#) [CABLE/RTP/USB/DT](#) [45-1351-15](#) [45-1357-15](#) [45-1433-1](#) [687680278](#)  
[USBFTVX2SA2N03A](#) [USBFTV2SA2N03A](#) [USBFTV2SA2N05A](#) [FTP-629Y401](#) [FTP-628Y302](#) [FTP-628Y402](#) [CSMNB9MF-5](#) [FNY-W6022](#) [UA-30AMF-SD7B03](#) [UA-30AMFM-SL7B03](#) [USBAPSCC7202A](#) [17-200641](#) [UES-1001A160](#) [UES-1003A160](#)  
[USBFTVX7SA2N20A](#) [USBFTV2PEMSA2N10A](#) [FTP-629Y602](#) [USBCAMCM100](#) [USB A/F\\*2 to 2.54 2\\*5P-SH L=400mm](#) [68784-0075](#)  
[MINI-SCREW-USB-DATACABLE](#) [USB-29](#) [19800-010500-200-RS](#) [103-1092-BL-F0050](#) [103-1020-BL-00100](#) [103-1092-BL-F0200](#) [103-1092-BL-F0100](#) [105-1092-BL-00300](#) [105-1092-BL-00200](#) [105-1031-BL-00200](#)