

Patch cable - VS-FSDB-IP20SDA/981/5,0 SCO - 1420184

Please be informed that the data shown in this PDF Document is generated from our Online Catalog. Please find the complete data in the user's documentation. Our General Terms of Use for Downloads are valid (<http://phoenixcontact.com/download>)



Assembled USB cable, shielded, color: black, PVC outer sheath, USB mini-B/IP20 on USB type A/IP20, length: 5 m

RoHS

Key Commercial Data

Packing unit	1 pc
GTIN	
GTIN	4046356548618

Technical data

Note

Trade restriction	The products are offered exclusively for export outside the EU and the European Economic Area.
-------------------	--

Mechanical characteristics

Weight	220.1 g
Flammability rating according to UL 94	V0

Ambient conditions

Ambient temperature (operation)	-25 °C ... 80 °C (cable, flexible installation)
Degree of protection	IP20 (USB type A)
	IP65 (M12 mini B)

Material data

Contact surface material	Ni/Au
Contact material	Cu alloy

Pin assignment

Contact Color (signal designation) Contact (optional)	1 (M12 mini B) RD (+5 V) 1 (USB type A)
	2 (M12 mini B) WH (DATA-) 2 (USB type A)
	3 (M12 mini B) GN (DATA+) 3 (USB type A)

Patch cable - VS-FSDB-IP20SDA/981/5,0 SCO - 1420184

Technical data

Pin assignment

	4 (M12 mini B) N.C.
	5 (M12 mini B) BK (GND) 4 (USB type A)

Standards and Regulations

Flammability rating according to UL 94	V0
--	----

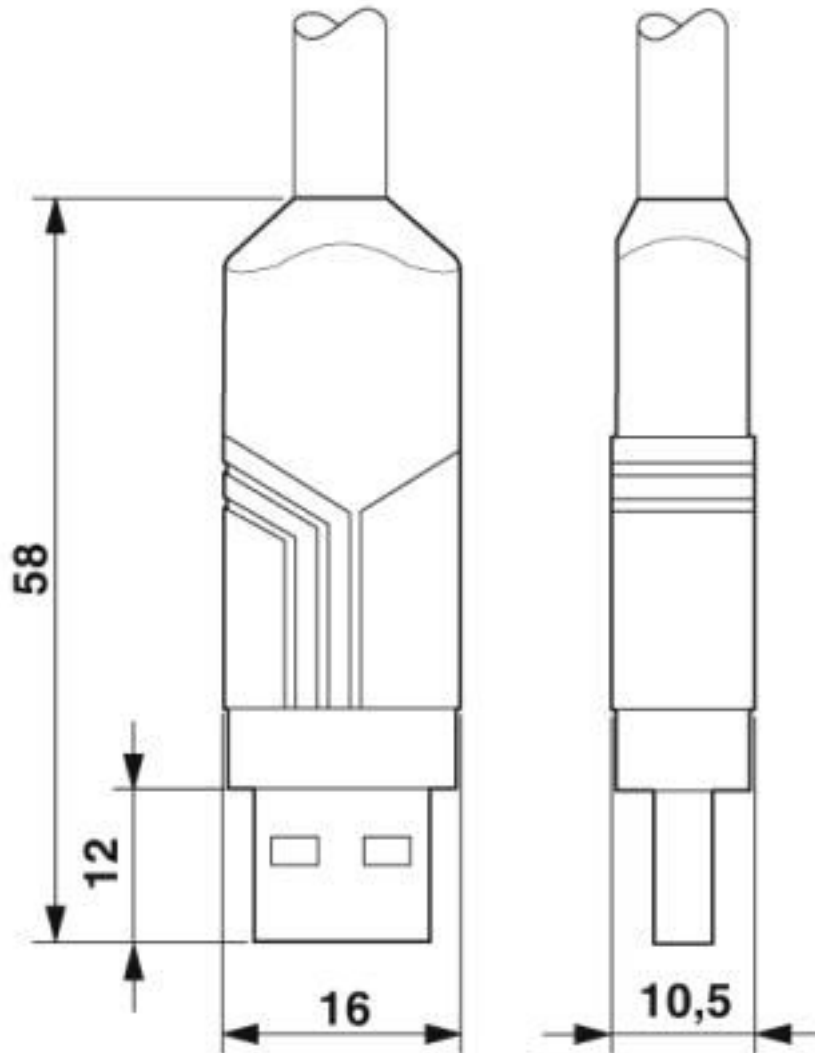
Environmental Product Compliance

China RoHS	Environmentally friendly use period: unlimited = EFUP-e
	No hazardous substances above threshold values

Drawings

Patch cable - VS-FSDB-IP20SDA/981/5,0 SCO - 1420184

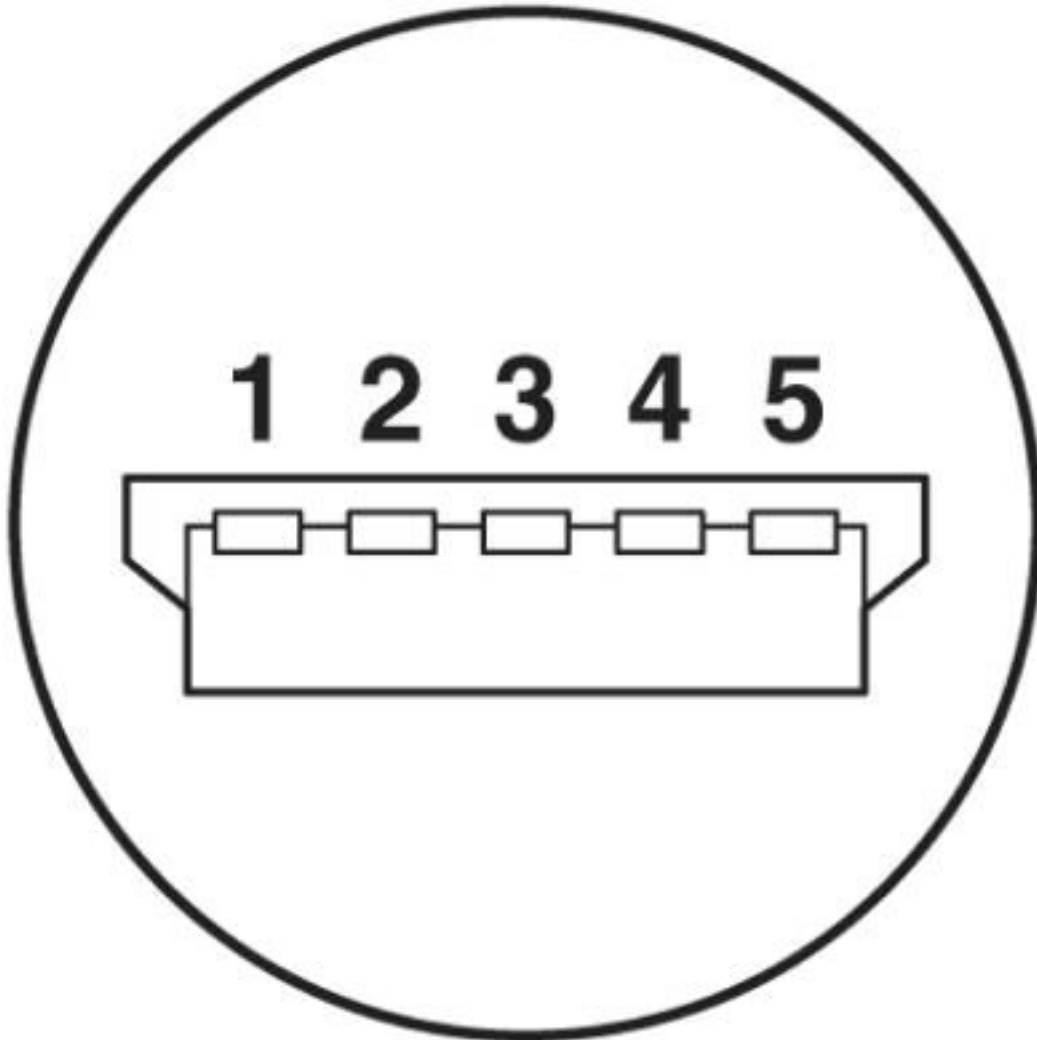
Dimensional drawing



USB connector, type A, Standard

Patch cable - VS-FSDB-IP20SDA/981/5,0 SCO - 1420184

Schematic diagram



Pin assignment plug USB, mini B

Classifications

eCl@ss

eCl@ss 10.0.1	27060308
eCl@ss 4.0	27260700
eCl@ss 4.1	27260700
eCl@ss 5.0	27260700
eCl@ss 5.1	27269200
eCl@ss 6.0	27269200
eCl@ss 7.0	27060308
eCl@ss 8.0	27060308

Patch cable - VS-FSDB-IP20SDA/981/5,0 SCO - 1420184

Classifications

eCl@ss

eCl@ss 9.0	27060308
------------	----------

ETIM

ETIM 4.0	EC001408
ETIM 5.0	EC002599
ETIM 6.0	EC001262
ETIM 7.0	EC001262

UNSPSC

UNSPSC 6.01	31251501
UNSPSC 7.0901	31251501
UNSPSC 11	31251501
UNSPSC 12.01	31251501
UNSPSC 13.2	26121604
UNSPSC 18.0	26121604
UNSPSC 19.0	26121604
UNSPSC 20.0	26121604
UNSPSC 21.0	26121604

Approvals

Approvals

Approvals

EAC-RoHS

Ex Approvals

Approval details

EAC-RoHS		RU D- DE.HB35.B.00387
----------	--	--------------------------

Phoenix Contact 2020 © - all rights reserved
<http://www.phoenixcontact.com>

PHOENIX CONTACT GmbH & Co. KG
Flachmarktstr. 8
32825 Blomberg
Germany
Tel. +49 5235 300
Fax +49 5235 3 41200
<http://www.phoenixcontact.com>

X-ON Electronics

Largest Supplier of Electrical and Electronic Components

Click to view similar products for [USB Cables / IEEE 1394 Cables](#) category:

Click to view products by [Phoenix Contact](#) manufacturer:

Other Similar products are found below :

[68768-0173](#) [FNY-W6003-01](#) [88764-0800](#) [148700-1](#) [17-200621](#) [17-250051P](#) [954](#) [17-200261](#) [AC102012-1](#) [AC102012-2](#) [FTP-629Y601](#) [45-1345-15](#) [45-1358-15](#) [45-1363-15](#) [IP-USB1\(C10\)S-RW](#) [CABLE/RTP/USB/DT](#) [45-1351-15](#) [45-1357-15](#) [45-1433-1](#) [687680278](#)
[USBFTVX2SA2N03A](#) [USBFTV2SA2N03A](#) [USBFTV2SA2N05A](#) [MDM9PH004B](#) [FTP-629Y401](#) [FTP-628Y302](#) [FTP-628Y402](#)
[CSMNB9MF-5](#) [FNY-W6022](#) [UA-30AMF-SD7B03](#) [UA-30AMFM-SL7B03](#) [USBAPSCC7202A](#) [17-200641](#) [UES-1001A160](#) [UES-1003A160](#)
[USBFTVX7SA2N20A](#) [USBFTV2PEMSA2N10A](#) [FTP-629Y602](#) [USBCAMCM100](#) [USB A/F*2 to 2.54 2*5P-SH L=400mm](#) [68784-0075](#)
[MINI-SCREW-USB-DATACABLE](#) [19800-010500-200-RS](#) [103-1092-BL-F0050](#) [103-1020-BL-00100](#) [103-1092-BL-F0200](#) [103-1092-BL-F0100](#) [105-1092-BL-00300](#) [105-1092-BL-00200](#) [105-1031-BL-00200](#)