

## Patch cable - NBC-R4AC/2,0-93M/R4ACR - 1420381

Please be informed that the data shown in this PDF Document is generated from our Online Catalog. Please find the complete data in the user's documentation. Our General Terms of Use for Downloads are valid (<http://phoenixcontact.com/download>)



PROFINET patch cable, shielded, star-quad, 22 AWG stranded (7-wire), green, straight RJ45 male connector/IP20 to angled RJ45 male connector/IP20, length: 1.0 m

PROFINET patch cable



### Key Commercial Data

Packing unit	1 pc
GTIN	
GTIN	4055626206486

### Technical data

#### Dimensions

Length of cable	2.00 m
-----------------	--------

#### Ambient conditions

Ambient temperature (operation)	-25 °C ... 80 °C (RJ45 connector)
---------------------------------	-----------------------------------

#### General data

Rated current at 40°C	1 A
Rated voltage	48 V
Number of positions	4
Overvoltage category	I
Degree of pollution	1
Rated voltage (III/3)	72 V (DC)
Contact material	CuSn
Contact surface material	Ni/Au
Housing material	PA 6.6
Degree of protection	IP20
Rated current	1.75 A
Transmission characteristics (category)	CAT5

## Patch cable - NBC-R4AC/2,0-93M/R4ACR - 1420381

### Technical data

#### Characteristics head 1

Color	black
Material (component)	CuSn (Contact)
	Ni/Au (Contact surface)
	PA (Contact carriers)
	PA (Housing)
Shielded	yes
Outer sheath, material	PUR
External sheath, color	green RAL 6018

#### Characteristics head 2

Color	black
Material (component)	CuSn (Contact)
	Ni/Au (Contact surface)
	PA (Contact carriers)
	PA (Housing)

#### Standards and Regulations

Flammability rating according to UL 94	V2
--	----

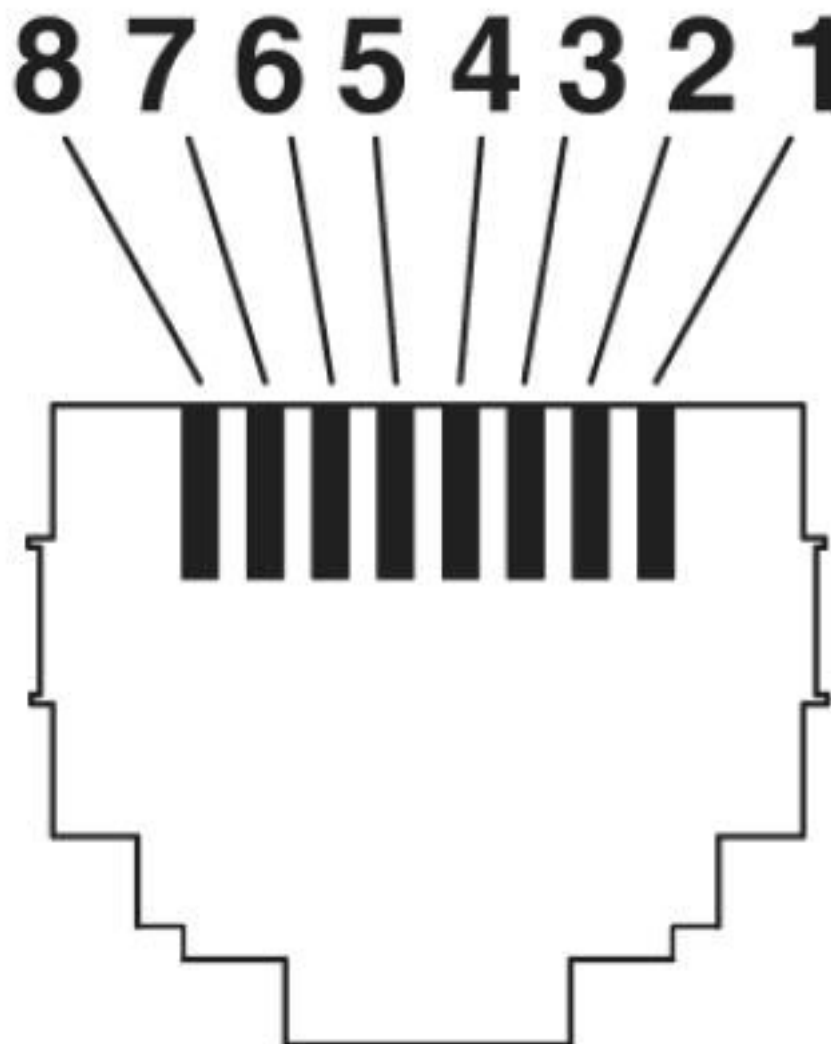
#### Environmental Product Compliance

China RoHS	Environmentally friendly use period: unlimited = EFUP-e
	No hazardous substances above threshold values

### Drawings

# Patch cable - NBC-R4AC/2,0-93M/R4ACR - 1420381

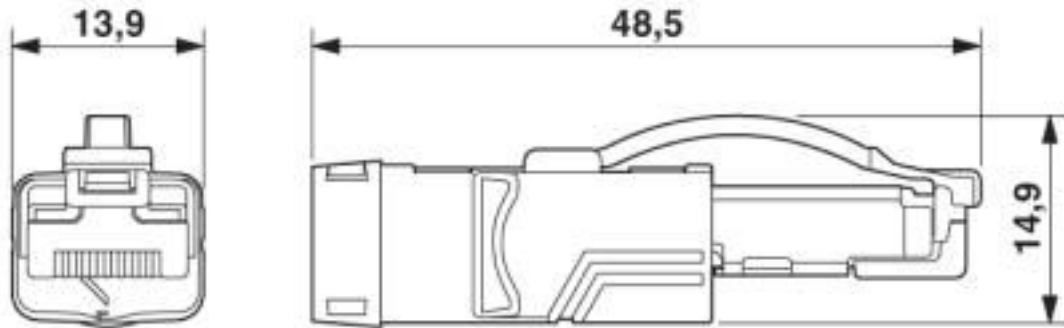
Schematic diagram



Connector pin assignment plug RJ45

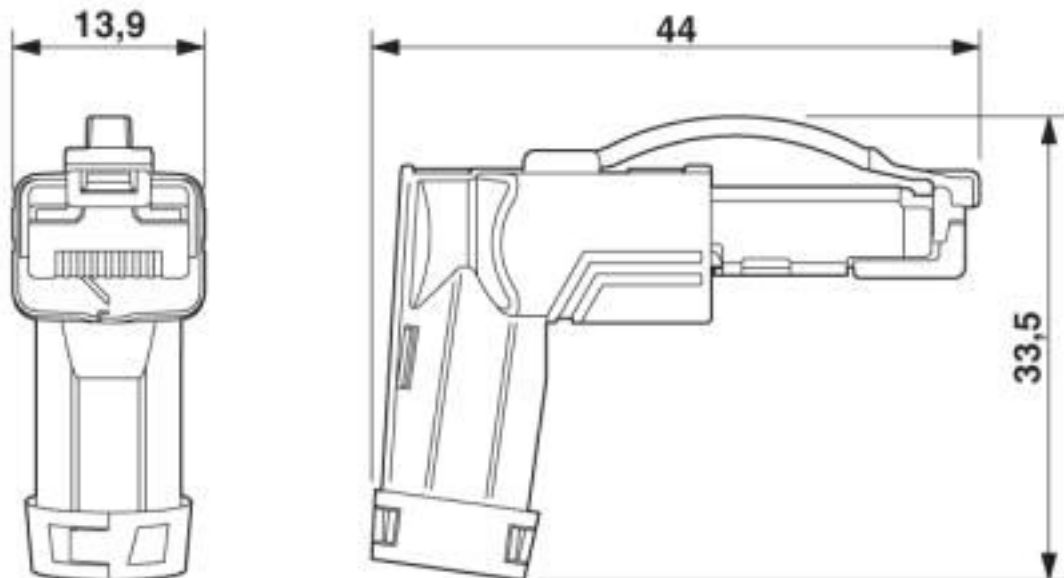
# Patch cable - NBC-R4AC/2,0-93M/R4ACR - 1420381

Dimensional drawing



RJ45 connector, IP20

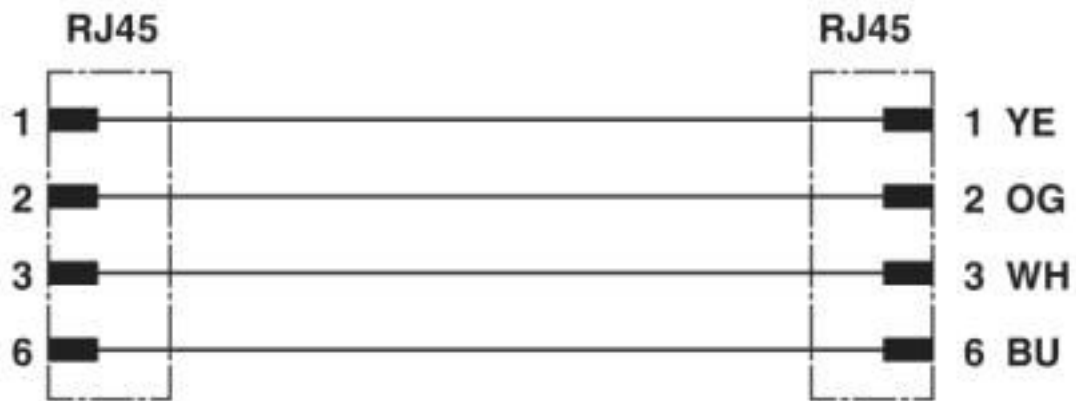
Dimensional drawing



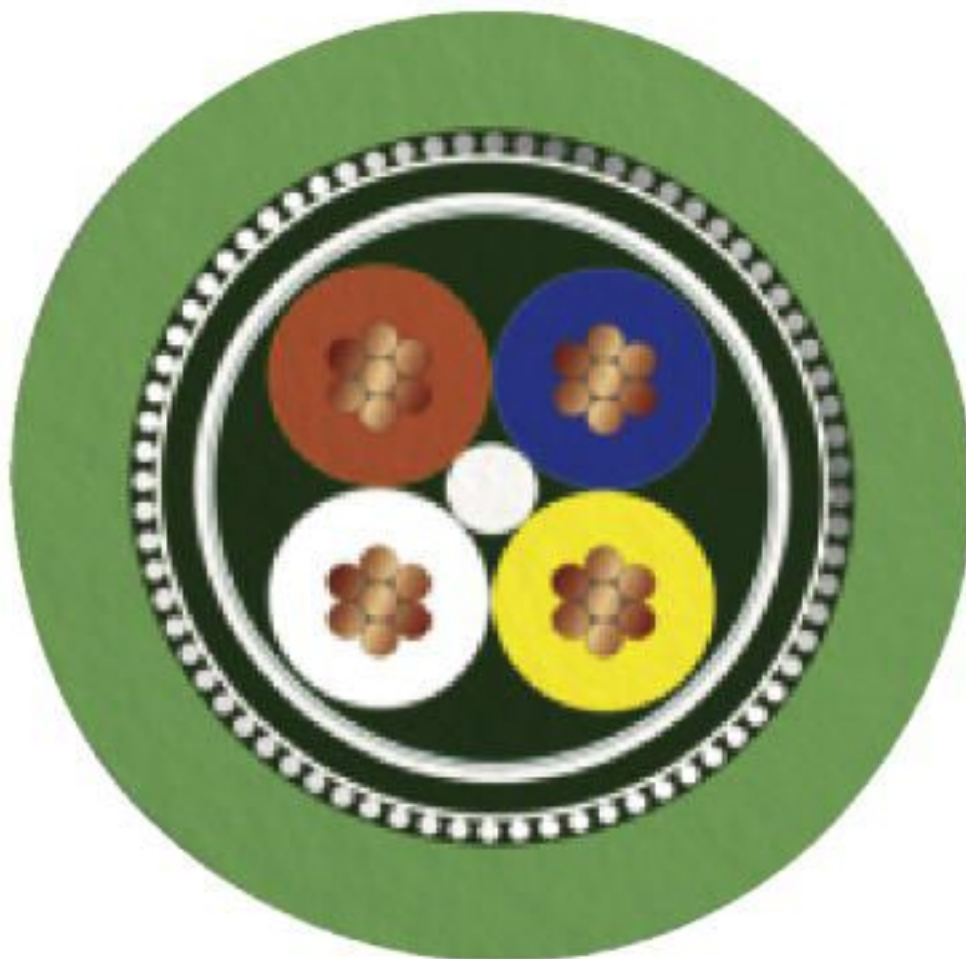
RJ45 connector, IP20, angled

# Patch cable - NBC-R4AC/2,0-93M/R4ACR - 1420381

Circuit diagram



Cable cross section



## Patch cable - NBC-R4AC/2,0-93M/R4ACR - 1420381

### Classifications

#### eCl@ss

eCl@ss 10.0.1	27060308
eCl@ss 7.0	27060308
eCl@ss 8.0	27060308
eCl@ss 9.0	27060308

#### ETIM

ETIM 5.0	EC002599
ETIM 6.0	EC001262
ETIM 7.0	EC001262

#### UNSPSC

UNSPSC 13.2	26121604
UNSPSC 18.0	26121604
UNSPSC 19.0	26121604
UNSPSC 20.0	26121604
UNSPSC 21.0	26121604

Phoenix Contact 2020 © - all rights reserved  
<http://www.phoenixcontact.com>

PHOENIX CONTACT GmbH & Co. KG  
Flachsmarktstr. 8  
32825 Blomberg  
Germany  
Tel. +49 5235 300  
Fax +49 5235 3 41200  
<http://www.phoenixcontact.com>

## X-ON Electronics

Largest Supplier of Electrical and Electronic Components

*Click to view similar products for [Ethernet Cables / Networking Cables](#) category:*

*Click to view products by [Phoenix Contact](#) manufacturer:*

Other Similar products are found below :

[73-6670-7](#) [73-6680-15](#) [73-7797-25](#) [MCJB2-10P6Q7-120](#) [84909-0204](#) [1200700174](#) [1200860368](#) [E16A06002M030](#) [E200102-009-S1](#)  
[AX105346-EW](#) [MT14-187L](#) [17-103530](#) [ERWPAB3002M005](#) [190-038045-01](#) [NK5EPC18RDY](#) [NK5EPC18VLY](#) [NK5EPC18YLY](#)  
[NK5EPC1GRY](#) [NK5EPC4Y](#) [NK5EPC6YLY](#) [NK5EPC8BLY](#) [NK5EPC9YLY](#) [1969343-6](#) [C501100010](#) [C501106002](#) [C501106007](#)  
[C501106015](#) [C501106025](#) [C601102010](#) [C601104010](#) [C601106007](#) [C601106015](#) [2142758-2](#) [2168427-2](#) [CAT1106007](#) [21949-1](#) [2J1866A](#)  
[RJF SFTP 5E 0500](#) [AX100351](#) [MN14CEC/ST](#) [C501100015](#) [C501106004](#) [C501106010](#) [C5F1108007](#) [C601104004](#) [C601106004](#)  
[CA21106004](#) [CA21106010](#) [CA21106015](#) [CA21109007](#)