

Patch cable - NBC-R4ACR/2,0-93M/R4ACR - 1420386

Please be informed that the data shown in this PDF Document is generated from our Online Catalog. Please find the complete data in the user's documentation. Our General Terms of Use for Downloads are valid (<http://phoenixcontact.com/download>)




Patch cable, degree of protection: IP20, cable length: 2 m, number of positions: 4, 100 Mbps, CAT5, material: PA 6.6

PROFINET patch cable



Key Commercial Data

Packing unit	1 pc
GTIN	 4 055626 206530
GTIN	4055626206530

Technical data

Dimensions

Length of cable	2.00 m
-----------------	--------

Ambient conditions

Ambient temperature (operation)	-25 °C ... 80 °C (RJ45 connector)
---------------------------------	-----------------------------------

General data

Rated current at 40°C	1 A
Rated voltage	48 V
Number of positions	4
Overvoltage category	I
Degree of pollution	1
Rated voltage (III/3)	72 V (DC)
Contact material	CuSn
Contact surface material	Ni/Au
Housing material	PA 6.6
Degree of protection	IP20
Number of slots	1
Rated current	1.75 A

Patch cable - NBC-R4ACR/2,0-93M/R4ACR - 1420386

Technical data

General data

Transmission characteristics (category)	CAT5
---	------

Characteristics head 1

Shielded	yes
Outer sheath, material	PUR
External sheath, color	green RAL 6018

Characteristics head 2

Color	black
Material (component)	CuSn (Contact)
	Ni/Au (Contact surface)
	PA (Contact carriers)
	PA (Housing)
Shielded	yes
Insertion/withdrawal cycles	≥ 750

Standards and Regulations

Flammability rating according to UL 94	V2
--	----

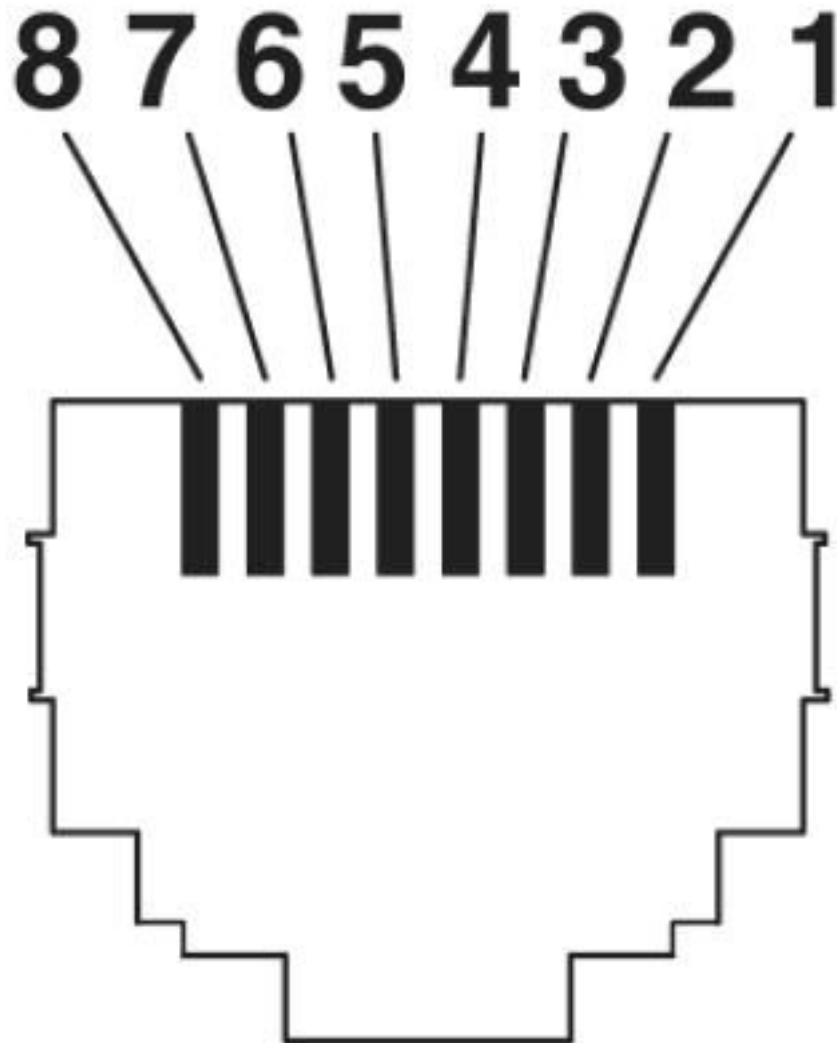
Environmental Product Compliance

China RoHS	Environmentally friendly use period: unlimited = EFUP-e
	No hazardous substances above threshold values

Drawings

Patch cable - NBC-R4ACR/2,0-93M/R4ACR - 1420386

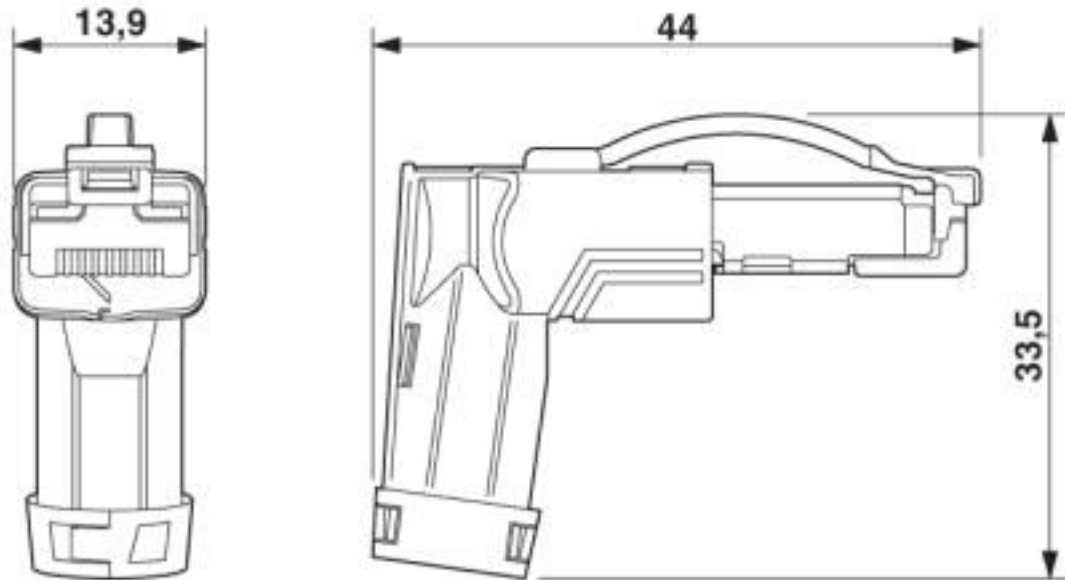
Schematic diagram



Connector pin assignment plug RJ45

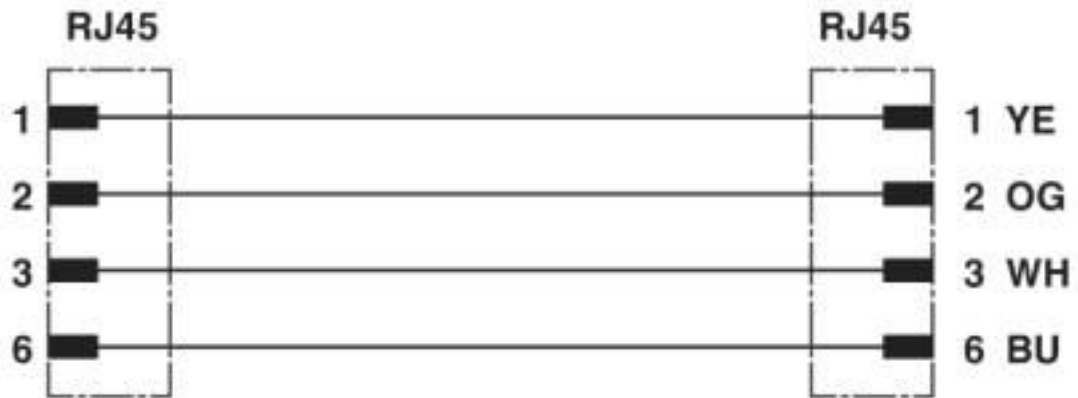
Patch cable - NBC-R4ACR/2,0-93M/R4ACR - 1420386

Dimensional drawing



RJ45 connector, IP20, angled

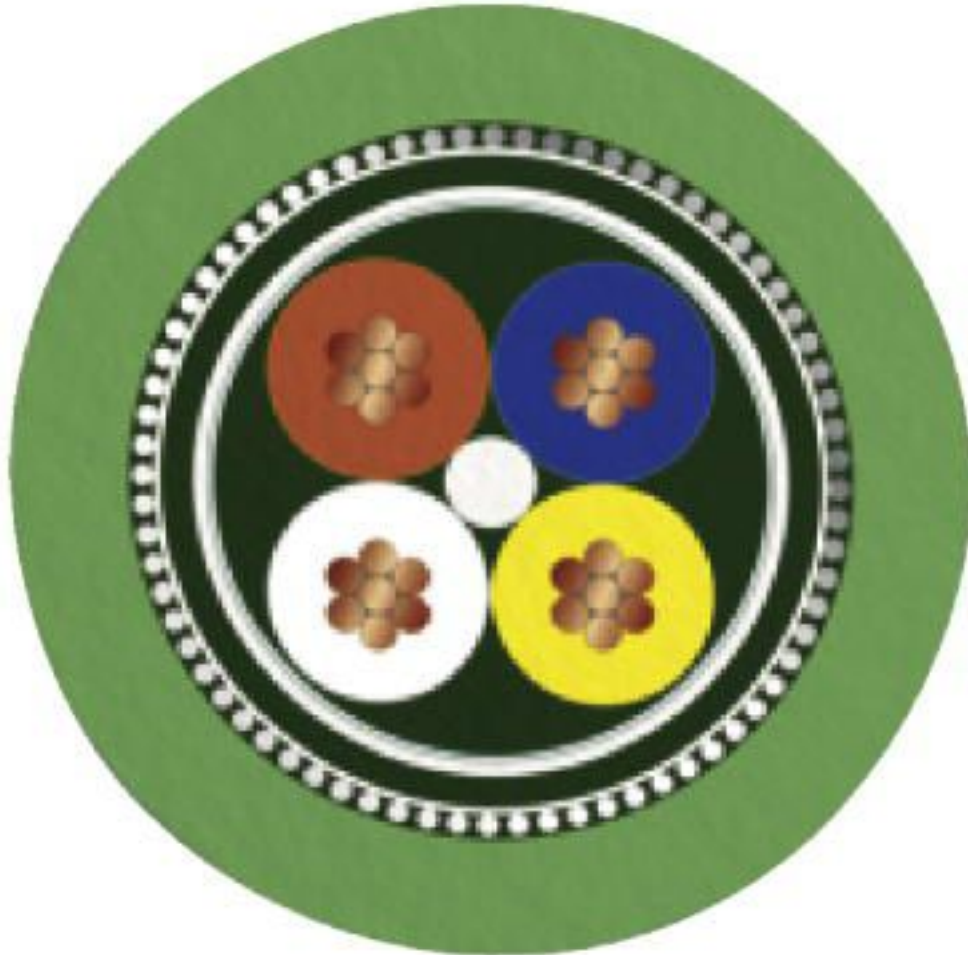
Circuit diagram



Contact assignment of RJ45 plugs

Patch cable - NBC-R4ACR/2,0-93M/R4ACR - 1420386

Cable cross section



PROFINET stranded CAT5 [93M]

Classifications

eCl@ss

eCl@ss 10.0.1	27060308
eCl@ss 7.0	27060308
eCl@ss 8.0	27060308
eCl@ss 9.0	27060308

ETIM

ETIM 5.0	EC002599
ETIM 6.0	EC001262
ETIM 7.0	EC001262

Patch cable - NBC-R4ACR/2,0-93M/R4ACR - 1420386

Classifications

UNSPSC

UNSPSC 13.2	26121604
UNSPSC 18.0	26121604
UNSPSC 19.0	26121604
UNSPSC 20.0	26121604
UNSPSC 21.0	26121604

Phoenix Contact 2020 © - all rights reserved
<http://www.phoenixcontact.com>

PHOENIX CONTACT GmbH & Co. KG
Flachsmarktstr. 8
32825 Blomberg
Germany
Tel. +49 5235 300
Fax +49 5235 3 41200
<http://www.phoenixcontact.com>

X-ON Electronics

Largest Supplier of Electrical and Electronic Components

Click to view similar products for [Ethernet Cables / Networking Cables](#) category:

Click to view products by [Phoenix Contact](#) manufacturer:

Other Similar products are found below :

[73-6670-7](#) [73-6680-15](#) [73-7797-25](#) [MCJB2-10P6Q7-120](#) [84909-0204](#) [1200700174](#) [1200860368](#) [E16A06002M030](#) [E200102-009-S1](#)
[AX105346-EW](#) [MT14-187L](#) [17-103530](#) [ERWPAB3002M005](#) [190-038045-01](#) [NK5EPC18RDY](#) [NK5EPC18VLY](#) [NK5EPC18YLY](#)
[NK5EPC1GRY](#) [NK5EPC4Y](#) [NK5EPC6YLY](#) [NK5EPC8BLY](#) [NK5EPC9YLY](#) [1969343-6](#) [C501100010](#) [C501106002](#) [C501106007](#)
[C501106015](#) [C501106025](#) [C601102010](#) [C601104010](#) [C601106007](#) [C601106015](#) [2142758-2](#) [2168427-2](#) [CAT1106007](#) [21949-1](#) [2J1866A](#)
[RJF SFTP 5E 0500](#) [AX100351](#) [MN14CEC/ST](#) [C501100015](#) [C501106004](#) [C501106010](#) [C5F1108007](#) [C601104004](#) [C601106004](#)
[CA21106004](#) [CA21106010](#) [CA21106015](#) [CA21109007](#)