

Housing - HC-EVO-B06-SHWSC-2SSM25-PLRBK - 1421244

Please be informed that the data shown in this PDF Document is generated from our Online Catalog. Please find the complete data in the user's documentation. Our General Terms of Use for Downloads are valid (<http://phoenixcontact.com/download>)




Box mounting bases B6, with single locking latch, material: PA, protective cover material: PA, cable outlets: 2, lateral, height: 74 mm, cable gland: none, support sleeve: no, 2x M25, protective cover: yes, Standard, including 2x reducing adapter

Your advantages

- ✓ Lower costs than metal version
- ✓ Low weight
- ✓ Lower risk of condensation
- ✓ Both contact insert PE sheets are connected by means of a metal frame integrated in the sleeve housing
- ✓ Metal inlays ensure leading PE contact with angled plugs
- ✓ Completely corrosion-resistant
- ✓ Halogen-free plastic
- ✓ Marking label can be attached



Key Commercial Data

Packing unit	1 pc
GTIN	 4 055626 264394
GTIN	4055626264394

Technical data

Dimensions

Height	74 mm
Width	57 mm
Length	84 mm

Ambient conditions

Degree of protection (IP)	IP66 (when plugged in or with locked protective cover)
Degree of protection (NEMA)	12 (UL 50e)
Ambient temperature (operation)	-40 °C ... 125 °C

General

Housing - HC-EVO-B06-SHWSC-2SSM25-PLRBK - 1421244

Technical data

General

Note	For contact inserts HC-B6, BB10, DD24, M
Size	B6
Housing type	Box mounting bases
Color	black
Locking type	with single locking latch
No. of cable outlets	2
Cable outlet	lateral
Screw connection	none
Type of the screw connection	2x M25
Protective cover	yes
Housing material	PA
Seal material	NBR
Material lock	PA
Material, protective cover	PA
Flammability rating according to UL 94	V0 (Housing)
	V0 (Interlock)
	V0 (Protective cover)
Assembly instructions	Two plastic reductions M32 to M25 are provided
Connection	One of the two openings for the screw connections is sealed but can be broken open using a screwdriver.

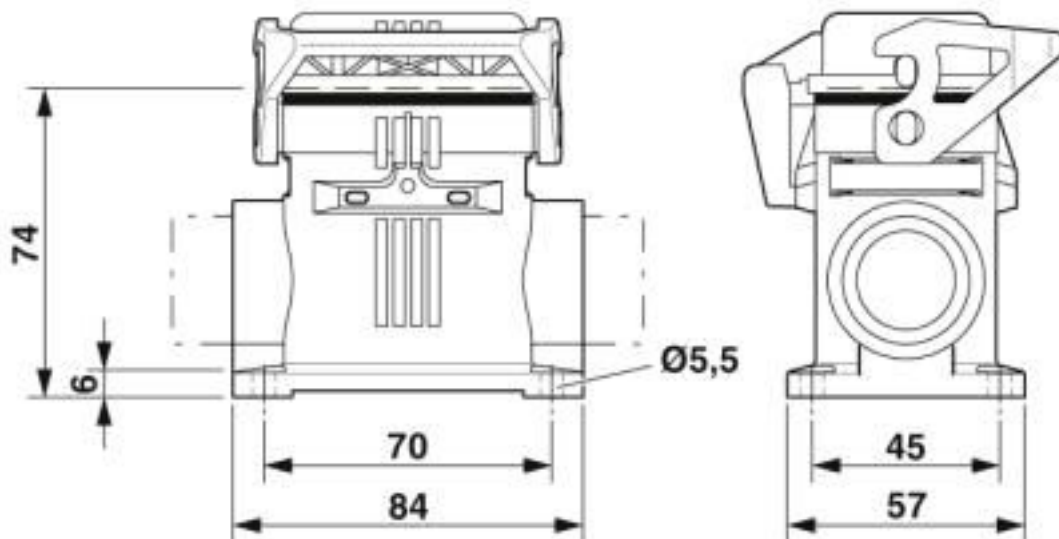
Environmental Product Compliance

China RoHS	Environmentally friendly use period: unlimited = EFUP-e
	No hazardous substances above threshold values

Drawings

Housing - HC-EVO-B06-SHWSC-2SSM25-PLRBK - 1421244

Dimensional drawing



Dimensional drawing

Classifications

eCl@ss

eCl@ss 10.0.1	27440202
eCl@ss 5.1	27261200
eCl@ss 6.0	27261200
eCl@ss 7.0	27440202
eCl@ss 8.0	27440202
eCl@ss 9.0	27440202

ETIM

ETIM 5.0	EC000437
ETIM 6.0	EC000437
ETIM 7.0	EC000437

UNSPSC

UNSPSC 13.2	31261501
UNSPSC 18.0	31261501
UNSPSC 19.0	31261501
UNSPSC 20.0	31261501
UNSPSC 21.0	31261501

Approvals

Approvals

Housing - HC-EVO-B06-SHWSC-2SSM25-PLRBK - 1421244

Approvals

Approvals

EAC / DNV GL

Ex Approvals

Approval details

EAC		RU C- DE.AI30.B.01102
-----	--	--------------------------

DNV GL		https://approvalfinder.dnvgl.com/	TAE000037S
--------	--	---	------------

Accessories

Accessories

Device marking

Snap-in markers - US-EMP (20X9) - 0829439



Snap-in markers, Card, white, unlabeled, can be labeled with: BLUEMARK ID COLOR, BLUEMARK ID, THERMOMARK PRIME, THERMOMARK CARD 2.0, THERMOMARK CARD, mounting type: snapped into marker carrier, lettering field size: 20 x 9 mm, Number of individual labels: 70

Full screw connection

Cable gland - G-INS-M25-M68N-PNES-BK - 1411134



Cable gland, cable gland material: PA, external cable diameter 11 mm ... 17 mm, shielding: no, connecting thread: M25 x 1.5, color: jet black RAL 9005

Housing latches

Housing - HC-EVO-B06-SHWSC-2SSM25-PLRBK - 1421244

Accessories

Single locking latch - HC-B06-SL-PLBK - 1407697



Replacement single locking latch for HEAVYCON EVO housing type B6, PA

Plug for cable screw gland

Screw plug - A-INSP-M25-65N-P-BK - 1415207



Screw plug, material: PA, connecting thread: M25 x 1.5, color: jet black RAL 9005, with O-ring

Protective cover

Protective covers - HC-B06-BC-HI-PLBK - 1407692



HEAVYCON EVO hinged protective cover, size B6, for EVO plastic supporting base element, IP65, PA

Seal

Profile gasket - HC-B06-SP-RBK - 1407706



Profile gasket for HEAVYCON EVO supporting base element type B6

X-ON Electronics

Largest Supplier of Electrical and Electronic Components

Click to view similar products for [Heavy Duty Power Connectors](#) category:

Click to view products by [Phoenix Contact](#) manufacturer:

Other Similar products are found below :

[647757-1](#) [6643411-1](#) [6646058-2](#) [6646137-1](#) [6646138-1](#) [6646479-1](#) [6646608-1](#) [6646786-1](#) [6646940-1](#) [6651091-1](#) [6651525-1](#) [6651529-1](#)
[6651788-1](#) [696475-1](#) [702-32-01109](#) [703-25-02205](#) [73000005059](#) [73000005642](#) [765-15-0080A](#) [765-16-0080B](#) [765-18-0080D](#) [829992-1](#)
[902-77-02113](#) [PS00/A0620/6300](#) [129-1J](#) [1409400](#) [AN0024023](#) [E6374G1](#) [e6389g2](#) [157-43GW8](#) [MS3117-14AC](#) [1643543-1](#) [1650540-1](#)
[1651811-2](#) [1766260-1](#) [1766282-1](#) [1766966-1](#) [1791340000](#) [NLDFT-3-BL-L-S120-M40A](#) [NLDFT-N-W-L-C240-M40B](#) [NLS-2-R-C240-](#)
[M40B](#) [NLS-N-W-C240-M40B](#) [NPS-3-BL-T6](#) [1986615-1](#) [2-1589900-8](#) [2199314-1](#) [KA8102](#) [9300480317](#) [SBS50BRN#6](#) [29131](#)