

Flush-type connector - SACC-CI-M12MSL-4FE-L180 THR SH R - 1421317

Please be informed that the data shown in this PDF Document is generated from our Online Catalog. Please find the complete data in the user's documentation. Our General Terms of Use for Downloads are valid (<http://phoenixcontact.com/download>)




Flush-type connector, Power, 5-position, Plug, straight, L - Power, PCB mounting, THR solder connection

Your advantages

- For compact devices: transmit high power in a confined space
- Reduced mounting costs thanks to two-piece device connector
- Packaging available for automated pick and place assembly
- All common pin assignments and codings available
- Easy device integration, thanks to mechanical port screw connections with threaded fastening
- Additional gasket for the device when not plugged in

Key Commercial Data

Packing unit	60 pc
Minimum order quantity	60 pc
GTIN	 4 055626 280554
GTIN	4055626280554

Technical data

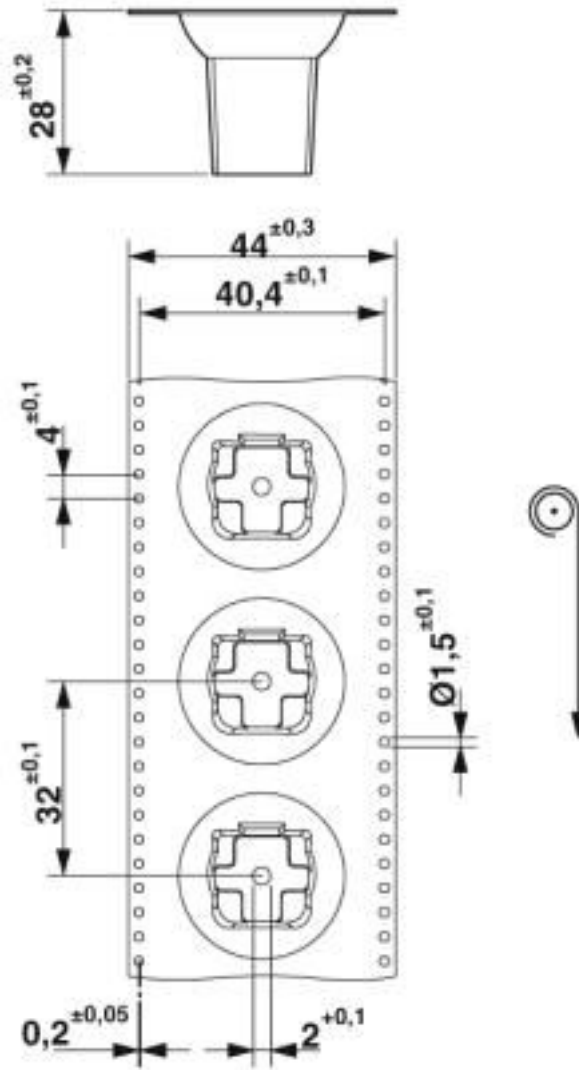
Environmental Product Compliance

REACH SVHC	Lead 7439-92-1
China RoHS	Environmentally Friendly Use Period = 50 years
	For details about hazardous substances go to tab "Downloads", Category "Manufacturer's declaration"

Drawings

Flush-type connector - SACC-CI-M12MSL-4FE-L180 THR SH R - 1421317

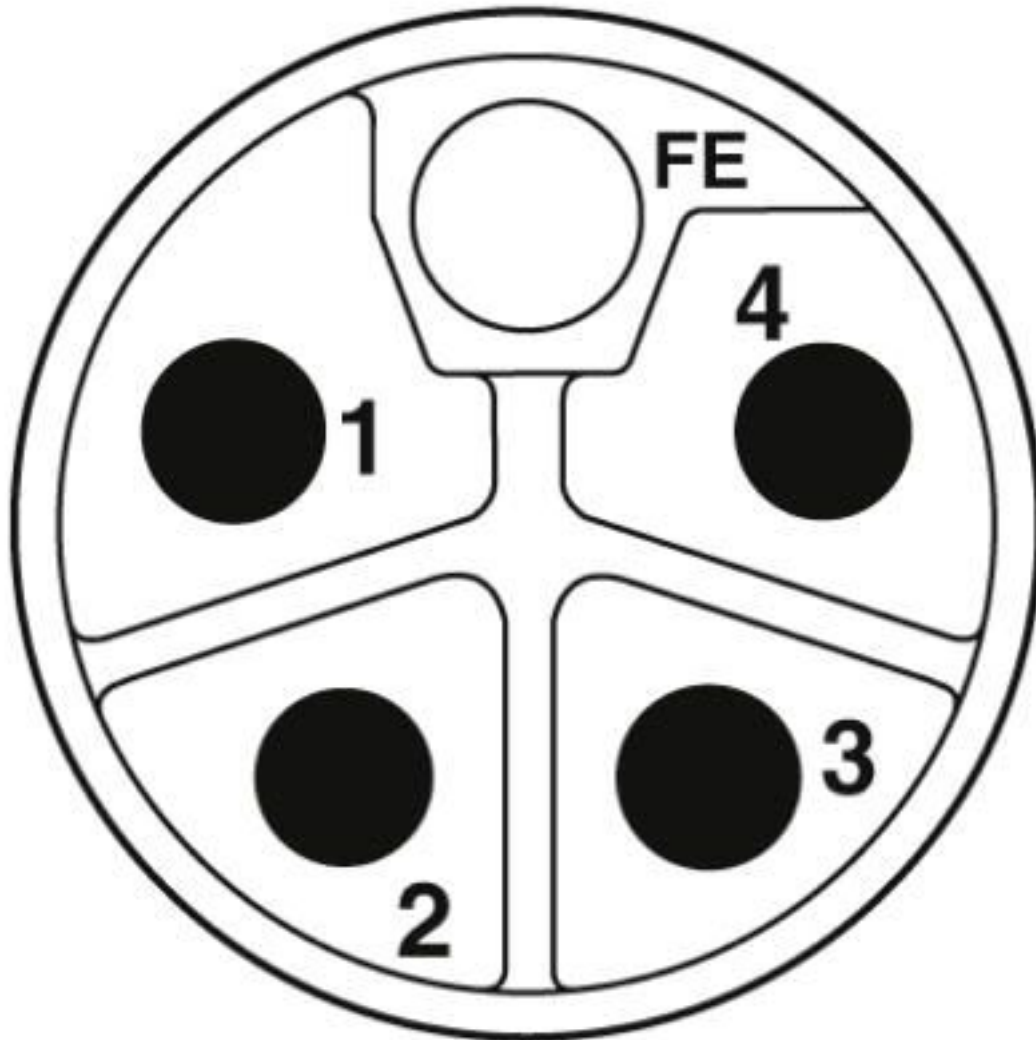
Dimensional drawing



THR tape-on-reel packing

Flush-type connector - SACC-CI-M12MSL-4FE-L180 THR SH R - 1421317

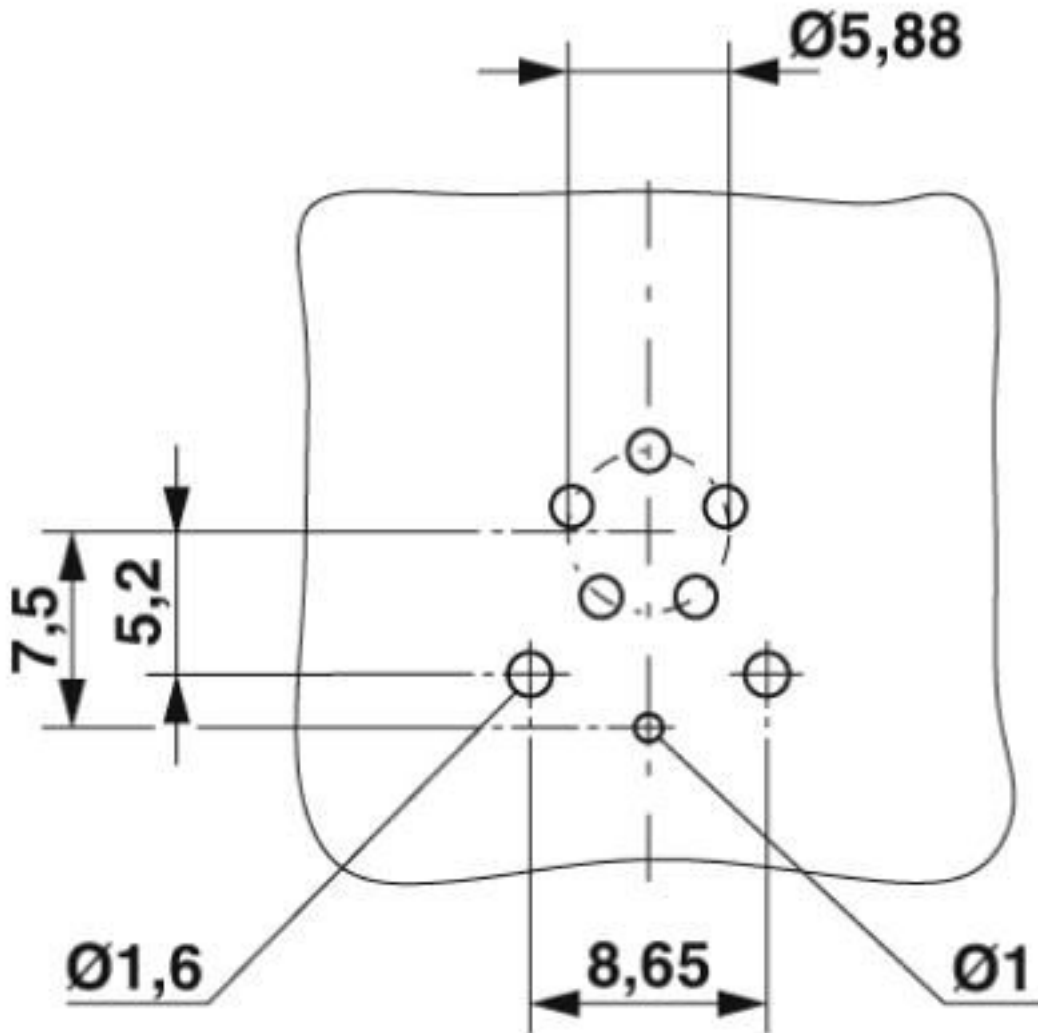
Schematic diagram



Pin assignment of M12 connector, 5-pos., L-coded, pin side view

Flush-type connector - SACC-CI-M12MSL-4FE-L180 THR SH R - 1421317

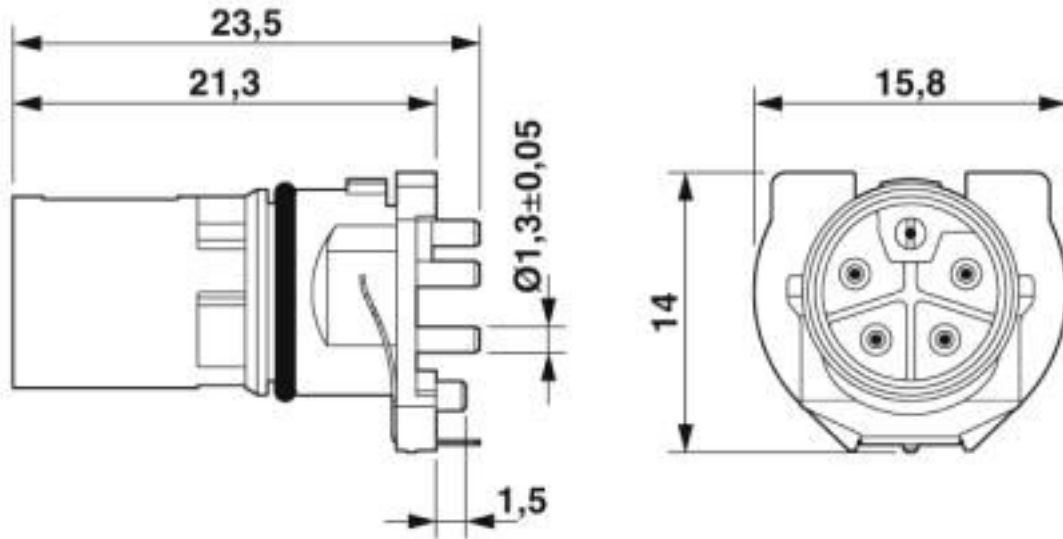
Drilling diagram



Soldering pad geometry

Flush-type connector - SACC-CI-M12MSL-4FE-L180 THR SH R - 1421317

Dimensional drawing



M12 flush-type connector

Classifications

eCl@ss

eCl@ss 10.0.1	27440102
eCl@ss 4.0	27140815
eCl@ss 4.1	27140815
eCl@ss 5.0	27143423
eCl@ss 5.1	27143423
eCl@ss 6.0	27143423
eCl@ss 7.0	27449001
eCl@ss 8.0	27440102
eCl@ss 9.0	27440102

Approvals

Approvals

Approvals

cULus Recognized / EAC

Ex Approvals

Approval details

Flush-type connector - SACC-CI-M12MSL-4FE-L180 THR SH R - 1421317

Approvals

cULus Recognized		http://database.ul.com/cgi-bin/XYV/template/LISEXT/1FRAME/index.htm E468743-20180113
Nominal voltage UN		63 V
Nominal current IN		16 A

EAC		B.01687
-----	--	---------

Accessories

Accessories

Contact insert

Sample set - SACCCIM12MSL4FEL180THRSHSAMPLE - 1423413



Sample set, Power, 5-position, Plug, straight, L - Power, PCB mounting, THR solder connection

Panel mounting base

Housing screw connection - SACC-FP-M-M12/M14 THR PW - 1420824



Housing screw connection with M12 standard thread, with O-ring, for 2-piece K, L, and M-coded THR contact carriers

Housing screw connection - SACC-BP-M-M12/M15-6-THR PW - 1420826



Housing screw connection with M12 standard thread, with O-ring, for 2-piece K, L, and M-coded THR contact carriers

Flush-type connector - SACC-CI-M12MSL-4FE-L180 THR SH R - 1421317

Accessories

Housing screw connection - SACC-FP-M-M12-THR PW PP - 1108115



Housing screw connection with M12 standard thread, push-pull, with O-ring, for 2-piece K-, L-, and M-coded THR contact carriers

Housing screw connection - SACC-BP-M-M12-THR PW PP - 1108101



Housing screw connection with M12 standard thread, push-pull, with O-ring, for 2-piece K-, L-, and M-coded THR contact carriers

Phoenix Contact 2020 © - all rights reserved
<http://www.phoenixcontact.com>

PHOENIX CONTACT GmbH & Co. KG
Flachsmarktstr. 8
32825 Blomberg
Germany
Tel. +49 5235 300
Fax +49 5235 3 41200
<http://www.phoenixcontact.com>

X-ON Electronics

Largest Supplier of Electrical and Electronic Components

Click to view similar products for [Circular Metric Connectors](#) category:

Click to view products by [Phoenix Contact](#) manufacturer:

Other Similar products are found below :

[600X518037X](#) [6STD15PCR99B70A](#) [8R4000A16M020](#) [8R5000A16M005](#) [1200910002](#) [1203580030](#) [1200910008](#) [1200910011](#) [1300140094](#)
[130203-0054](#) [1300140026](#) [1300150099](#) [RF-12S1N8A90DU](#) [1-3637-600-5205](#) [1612618](#) [21036836414](#) [8R4006A16M010](#) [1604232](#)
[1R3006A20M005](#) [RF-12P1N8A90DU](#) [41-40011](#) [42-00006](#) [42-01015](#) [4-22279-4](#) [4-22281-1](#) [4-22284-9](#) [43-00113](#) [43-01088](#) [43-01203](#) [41-](#)
[40013](#) [42-00008](#) [43-00343](#) [43-01026](#) [43-01162](#) [43-01173](#) [43-10000](#) [XS3P-M421-2](#) [600X518050X](#) [SACC-DSI-FS-5P-PG9-L180 SC](#)
[8R5006A16M020](#) [8R5006A16M005](#) [8R4000A16M010](#) [6-22279-3](#) [1605332](#) [N03FA03144](#) [1300140077](#) [43-16213](#) [43-01338](#) [XS2RD4265](#)
[XS2R-D426-1](#)