

Network cable - NBC-FSBPX/1,2-94F/R4AC-10G - 1422200


Please be informed that the data shown in this PDF Document is generated from our Online Catalog. Please find the complete data in the user's documentation. Our General Terms of Use for Downloads are valid (<http://phoenixcontact.com/download>)



Network cable, degree of protection: IP67/IP20, number of positions: 8, 10 Gbps, CAT6_A, cable outlet: straight



Key Commercial Data

| | |
|------------------------|---|
| Packing unit | 1 pc |
| Minimum order quantity | 10 pc |
| GTIN |  4 055626 292083 |
| GTIN | 4055626292083 |

Technical data

Ambient conditions

| | |
|---------------------------------|----------------------------------|
| Ambient temperature (operation) | -25 °C ... 60 °C (Plug / socket) |
|---------------------------------|----------------------------------|

General data

| | |
|---|-------------------|
| Rated current at 40 °C | 0.5 A |
| Rated voltage | 48 V |
| Number of positions | 8 |
| Alternative short product description | Ethernet cable |
| Rated voltage (III/3) | 72 V (DC) |
| Contact material | CuZn |
| Contact carrier material | PPA |
| Contact surface material | gold-plated |
| Degree of protection | IP67/IP20 |
| Number of slots | 1 |
| Transmission characteristics (category) | CAT6 _A |

Characteristics head 1

| | |
|------------------------|-----|
| Shielded | yes |
| Outer sheath, material | PUR |

Network cable - NBC-FSBPX/1,2-94F/R4AC-10G - 1422200

Technical data

Characteristics head 1

| | |
|------------------------|-----------------------------|
| External sheath, color | water blue RAL 5021 |
| Type type, plug side | Flush-type socket, straight |
| Type type, socket side | Plug, straight |

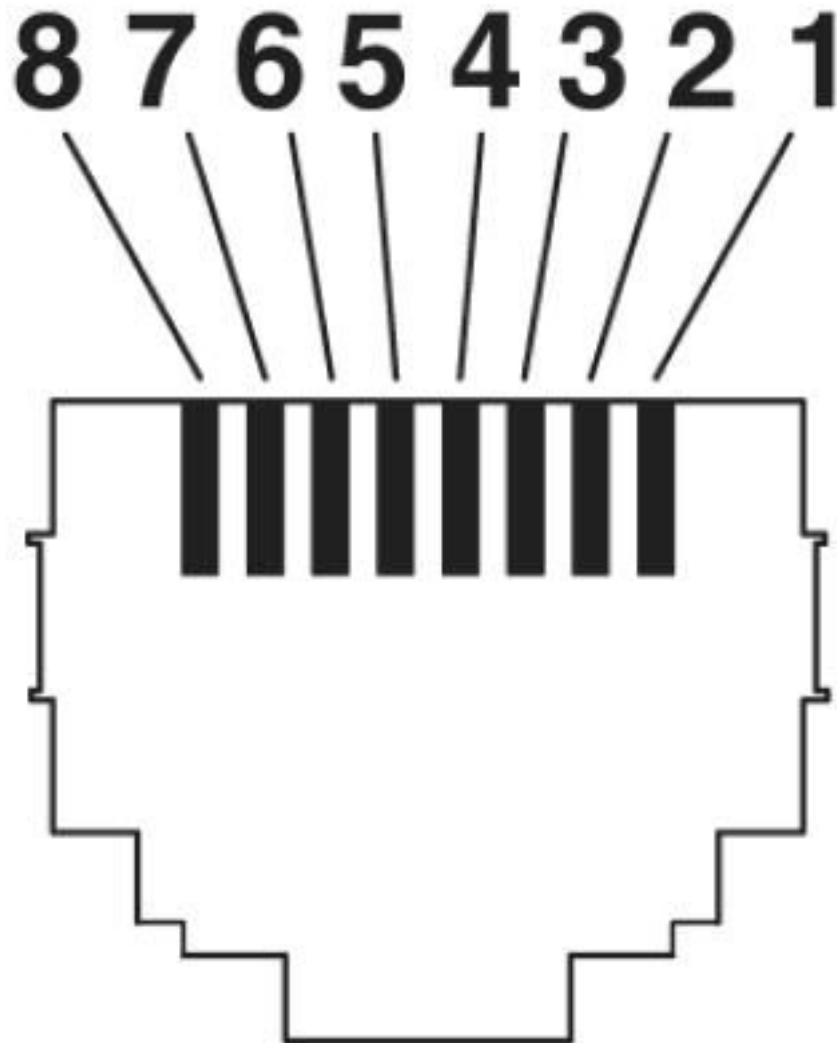
Environmental Product Compliance

| | |
|------------|---|
| REACH SVHC | Lead 7439-92-1 |
| China RoHS | Environmentally Friendly Use Period = 50 years |
| | For details about hazardous substances go to tab "Downloads", Category "Manufacturer's declaration" |

Drawings

Network cable - NBC-FSBPX/1,2-94F/R4AC-10G - 1422200

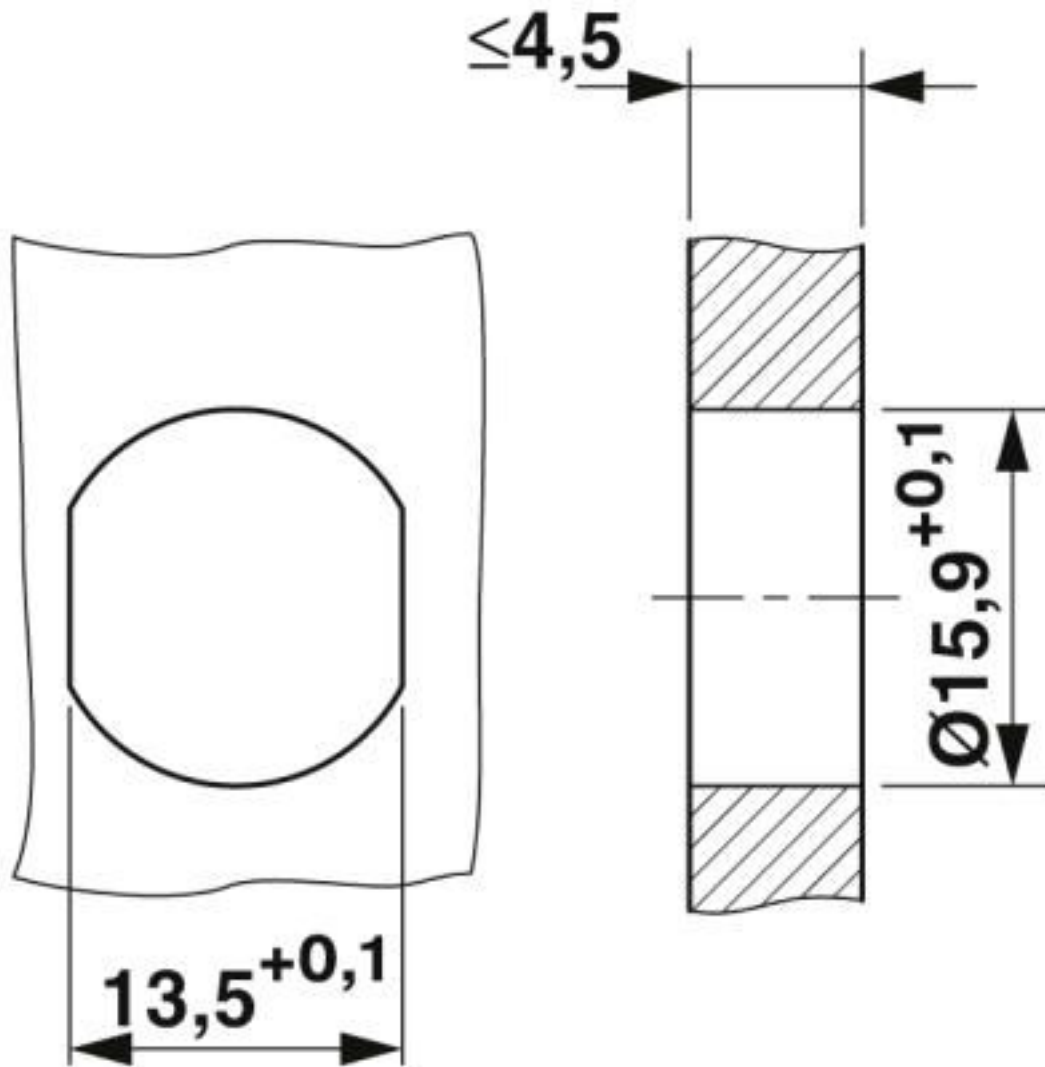
Schematic diagram



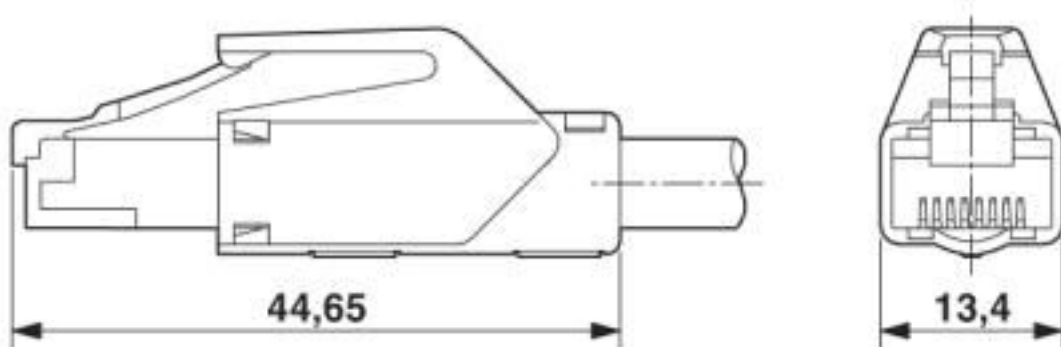
Connector pin assignment plug RJ45

Network cable - NBC-FSBPX/1,2-94F/R4AC-10G - 1422200

Dimensional drawing



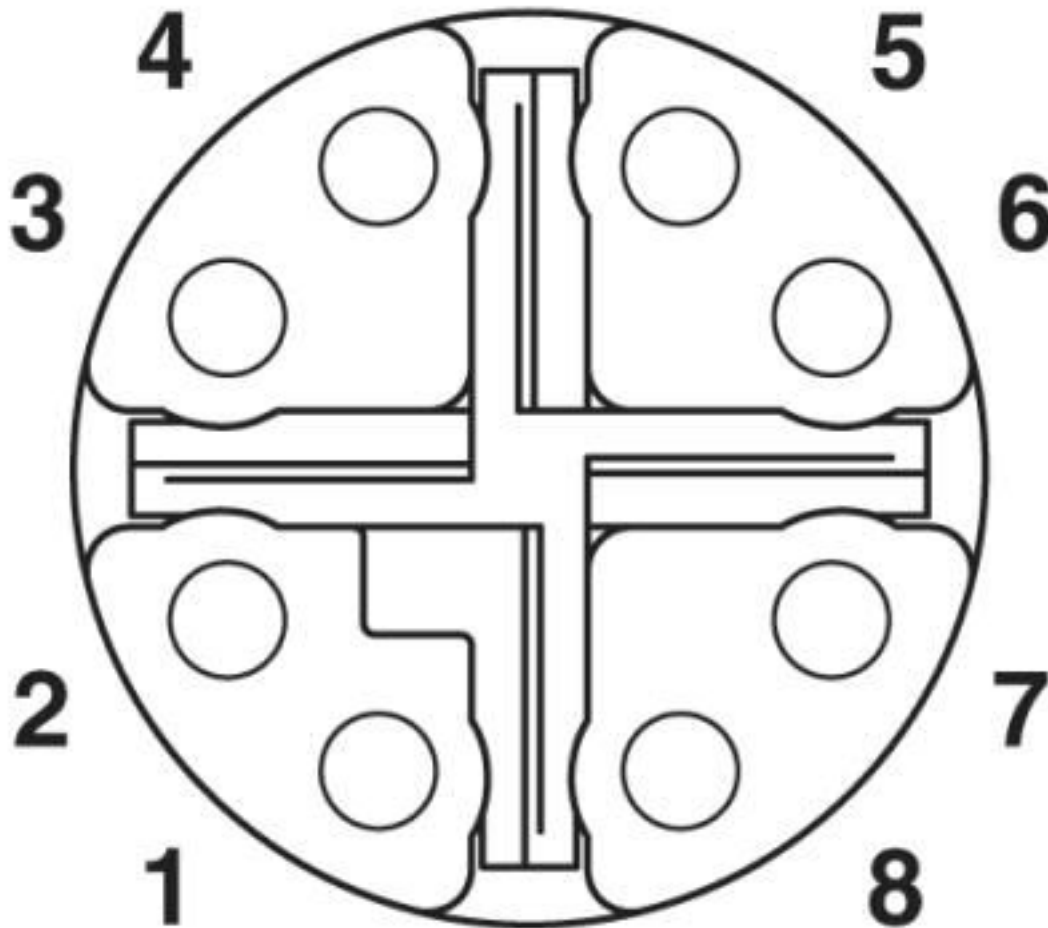
Dimensional drawing



RJ45 connector, IP20

Network cable - NBC-FSBPX/1,2-94F/R4AC-10G - 1422200

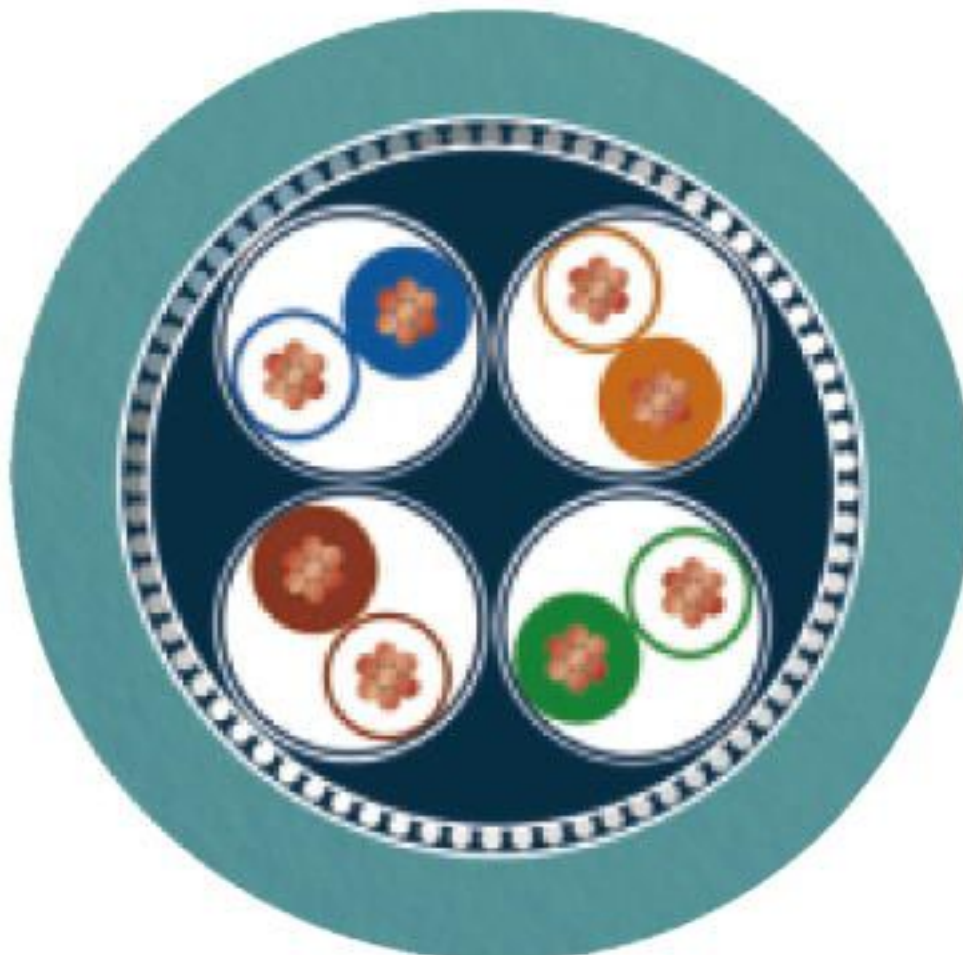
Schematic diagram



M12 socket pin assignment, 8-pos, view of socket side

Network cable - NBC-FSBPX/1,2-94F/R4AC-10G - 1422200

Cable cross section



Ethernet 10 Gbit [94F]

Classifications

eCl@ss

| | |
|---------------|----------|
| eCl@ss 10.0.1 | 27060308 |
| eCl@ss 5.1 | 27061801 |
| eCl@ss 7.0 | 27060308 |
| eCl@ss 8.0 | 27060308 |
| eCl@ss 9.0 | 27060308 |

ETIM

| | |
|----------|----------|
| ETIM 5.0 | EC002599 |
| ETIM 6.0 | EC001262 |
| ETIM 7.0 | EC001262 |

Network cable - NBC-FSBPX/1,2-94F/R4AC-10G - 1422200

Classifications

UNSPSC

| | |
|-------------|----------|
| UNSPSC 13.2 | 26121604 |
| UNSPSC 18.0 | 26121604 |
| UNSPSC 19.0 | 26121604 |
| UNSPSC 20.0 | 26121604 |
| UNSPSC 21.0 | 26121604 |

Phoenix Contact 2020 © - all rights reserved
<http://www.phoenixcontact.com>

PHOENIX CONTACT GmbH & Co. KG
Flachsmarktstr. 8
32825 Blomberg
Germany
Tel. +49 5235 300
Fax +49 5235 3 41200
<http://www.phoenixcontact.com>

X-ON Electronics

Largest Supplier of Electrical and Electronic Components

Click to view similar products for [Ethernet Cables / Networking Cables](#) category:

Click to view products by [Phoenix Contact](#) manufacturer:

Other Similar products are found below :

[73-6670-7](#) [73-6680-15](#) [73-7797-25](#) [MCJB2-10P6Q7-120](#) [84909-0204](#) [1200700174](#) [1200860368](#) [E16A06002M030](#) [E200102-009-S1](#)
[AX105346-EW](#) [MT14-187L](#) [17-103530](#) [ERWPAB3002M005](#) [190-038045-01](#) [NK5EPC18RDY](#) [NK5EPC18VLY](#) [NK5EPC18YLY](#)
[NK5EPC1GRY](#) [NK5EPC4Y](#) [NK5EPC6YLY](#) [NK5EPC8BLY](#) [NK5EPC9YLY](#) [1969343-6](#) [C501100010](#) [C501106002](#) [C501106007](#)
[C501106015](#) [C501106025](#) [C601102010](#) [C601104010](#) [C601106007](#) [C601106015](#) [2142758-2](#) [2168427-2](#) [CAT1106007](#) [21949-1](#) [2J1866A](#)
[RJF SFTP 5E 0500](#) [AX100351](#) [MN14CEC/ST](#) [C501100015](#) [C501106004](#) [C501106010](#) [C5F1108007](#) [C601104004](#) [C601106004](#)
[CA21106004](#) [CA21106010](#) [CA21106015](#) [CA21109007](#)