

Data connector - SACC-M12MSX-8CT-CL SH - 1422844

Please be informed that the data shown in this PDF Document is generated from our Online Catalog. Please find the complete data in the user's documentation. Our General Terms of Use for Downloads are valid (<http://phoenixcontact.com/download>)



Data connector, Ethernet/PROFINET CAT6_A (10 Gbps), 8-position, shielded, Plug straight M12, Coding: X, Crimp connection, knurl material: Zinc die-cast, nickel-plated, external cable diameter 6.5 mm ... 10 mm, without crimp contacts

Your advantages

- ✓ Extremely compact, thanks to the small wiring space and high contact density
- ✓ Safe use in the field, thanks to a high degree of protection
- ✓ Safely shielded: reliable shield connection even under extreme mechanical strain
- ✓ Robust connection: suitable for railway applications with high shock and vibration loads
- ✓ Automated processing possible



Key Commercial Data

Packing unit	1 pc
GTIN	
GTIN	4055626381886

Technical data

Dimensions

Wrench size, union nut	15 mm
Diameter housing	16 mm
Length	43 mm
External cable diameter	6.5 mm ... 10 mm
Stripping length of the sheath	20 mm
Stripping length of the individual wire	4 mm +0,5 mm

Ambient conditions

Ambient temperature (operation)	-40 °C ... 85 °C (Plug / socket)
Ambient temperature (assembly)	-5 °C ... 50 °C
Degree of protection	IP65
	IP67

Data connector - SACC-M12MSX-8CT-CL SH - 1422844

Technical data

General

Note	This product corresponds to the PROFINET Cabling and Interconnection Technology Guideline for PROFINET regulations, version 2.00, order no: 2.252, Chapter 8.2 Connectors for Outside Environment (Balanced cabling)
	NOTE: Observe the permissible bending radii when laying conductors, since the degree of protection may be put in jeopardy if the bending forces are too high. Alleviate mechanical loads upstream of the connector, e.g. by using cable ties.
Rated current at 40°C	0.5 A
Rated voltage	48 V AC 60 V DC
Number of positions	8
Insulation resistance	≥ 100 Ω
Coding	X - data
Standards/regulations	M12 connector IEC 61076-2-109 Shock, vibration EN 50155:2001
Signal type/category	Ethernet/PROFINET CAT6 _A (IEC 11801), 10 Gbps
Status display	No
Overvoltage category	II
Degree of pollution	3
Connection method	Crimp connection
Conductor cross section	0.14 mm ² ... 0.34 mm ² (flexible)
Conductor cross section AWG	26 ... 22 (flexible)
Wire diameter incl. insulation	≤ 1.6 mm
Insertion/withdrawal cycles	≥ 100
Torque	0.4 Nm (M12 knurl) 4 Nm (Pressure nut with coupling sleeve)
Transmission characteristics (category)	CAT6 _A

Material

Flammability rating according to UL 94	V0
Contact carrier material	PA 6.6
Material of grip body	Zinc die-cast, nickel-plated
Material, knurls	Zinc die-cast, nickel-plated
Sealing material	FKM
Standards/regulations	PA 6.6: Fire protection in rail vehicles - requirement sets R22, R23, R24, and R26 acc. to DIN EN 45545-2 (Risk level HL1 - HL3)

Standards and Regulations

Standards/specifications	M12 connector IEC 61076-2-109 Shock, vibration EN 50155:2001
Flammability rating according to UL 94	V0
Standards/regulations	acc. to DIN EN 45545-2

Environmental Product Compliance

Data connector - SACC-M12MSX-8CT-CL SH - 1422844

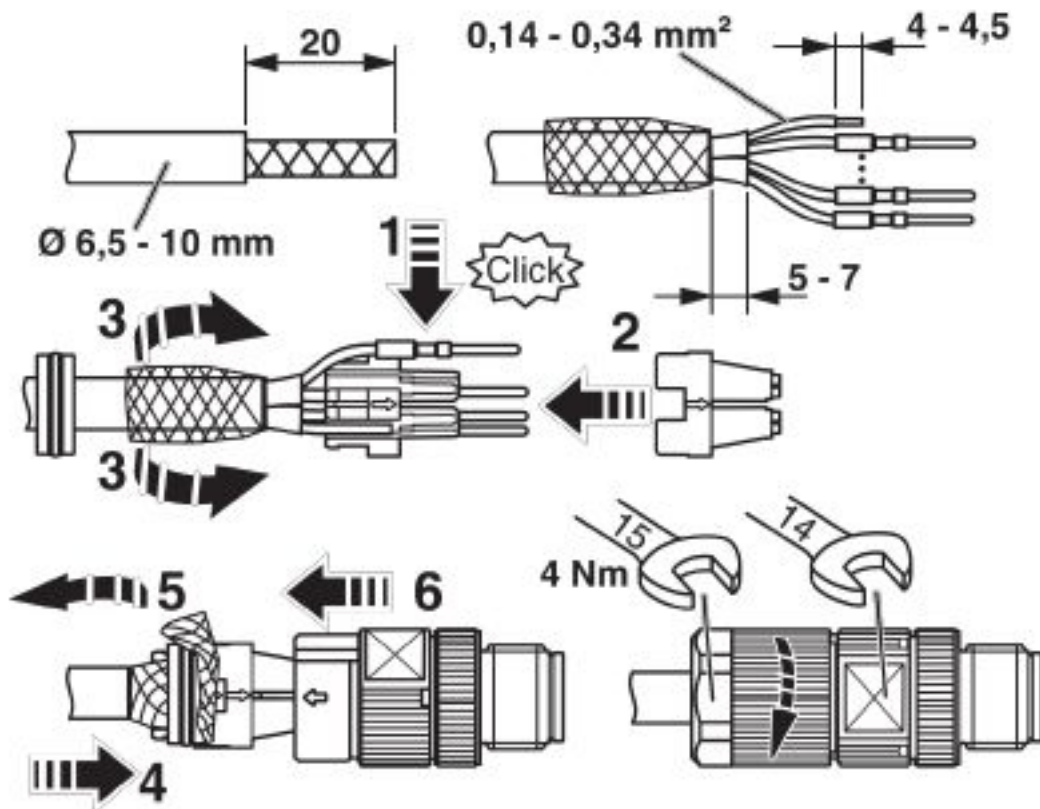
Technical data

Environmental Product Compliance

China RoHS	Environmentally friendly use period: unlimited = EFUP-e
	No hazardous substances above threshold values

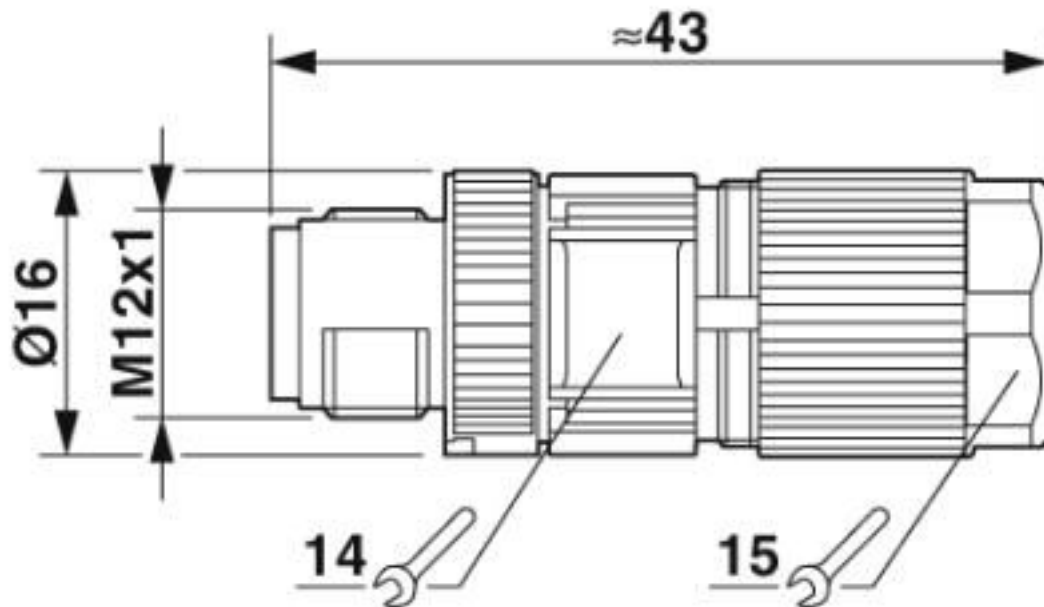
Drawings

Functional drawing



Data connector - SACC-M12MSX-8CT-CL SH - 1422844

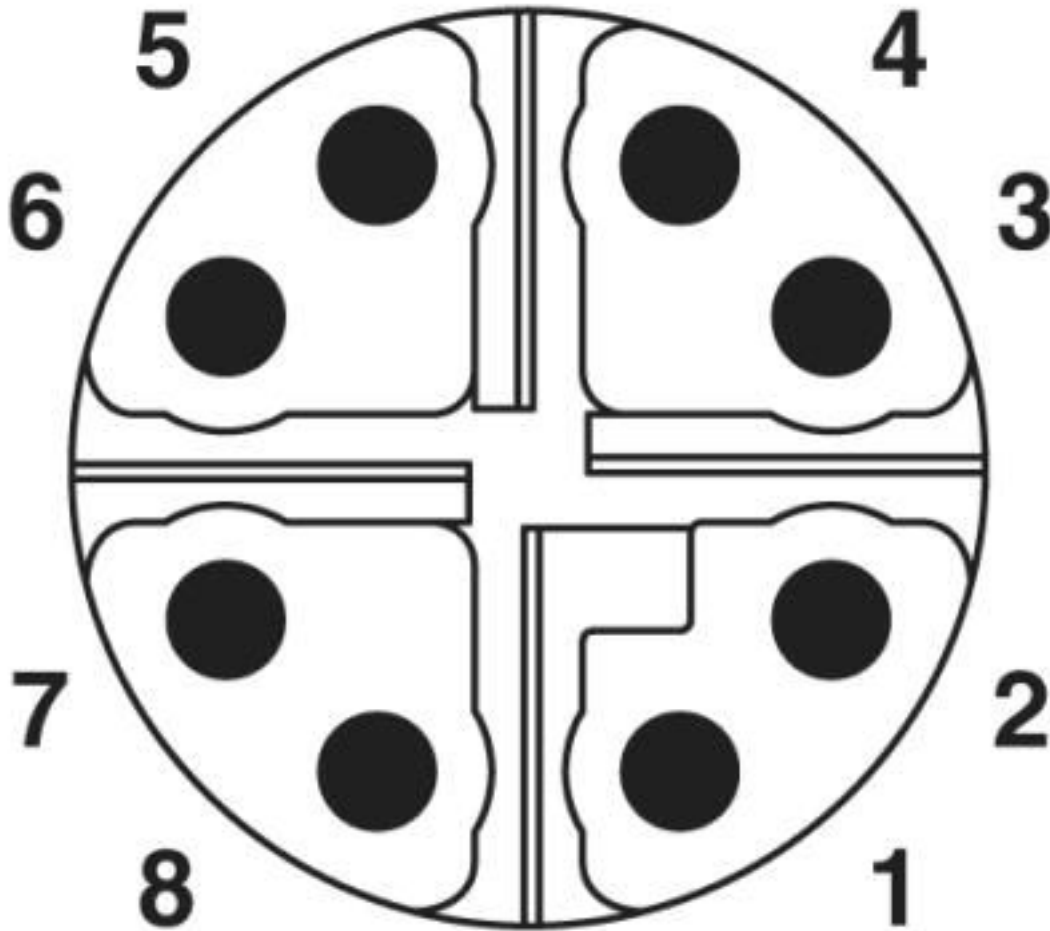
Dimensional drawing



Plug, M12 x 1, straight, shielded

Data connector - SACC-M12MSX-8CT-CL SH - 1422844

Schematic diagram



Pin assignment M12 plug, 8-pos., view plug side

Classifications

eCl@ss

eCl@ss 10.0.1	27440102
eCl@ss 5.1	27260701
eCl@ss 6.0	27279200
eCl@ss 7.0	27440104
eCl@ss 8.0	27440104
eCl@ss 9.0	27440102

ETIM

ETIM 5.0	EC002635
ETIM 6.0	EC002635
ETIM 7.0	EC002635

Data connector - SACC-M12MSX-8CT-CL SH - 1422844

Approvals

Approvals

Approvals

EAC / EAC

Ex Approvals

Approval details

EAC		EAC-Zulassung
-----	--	---------------

EAC		RU C- DE.BL08.B.00511
-----	--	--------------------------

Accessories

Accessories

Crimp contact

Crimp contact - CC0,6-TS-0,34M AU - 1423643



Crimp contact, contact diameter: 0.6 mm, turned, Pin, contact material: CuZn, contact surface: Ni/Au, connection cross section: 0.14 mm² ... 0.34 mm² AWG 26 ... 22

Crimping tool

Crimping pliers - CRIMPFOX-TC MP - 1212510



Crimping pliers, for turned contacts, universal cross section setting, up to a maximum of 2.5 mm², digital display with 0.01 mm increments, pressure lock can be unlocked, including positioning tool

Data cable by the meter

Data connector - SACC-M12MSX-8CT-CL SH - 1422844

Accessories

Network cable - NBC-100,0-94S - 1423514



By the meter, Network cable, Ethernet CAT7 (10 Gbps), shielded, PE-X halogen-free, black, 8-wire (4x2xAWG26/7; S/FTP), color single wire: White-blue, white-orange, white-green, white-brown, cable length: 100 m, For railway applications

Electronics pliers

Diagonal cutter - MICROFOX-SB - 1212489



Electronic diagonal cutter, round head, without chamfer, with opening spring, mirror-polished and oiled, 2-component grip, cutting capacity: soft 0.2 - 2.0 mm; medium hard 1.2 mm; hard 0.5 mm diameter

Screwdriver tools

Tool - SAC BIT M12-D16 - 1200305



Nut for assembling sensor/actuator cables with M12 connector and M12 connectors for assembly, knurl diameter: 16 mm, for 4 mm hexagonal drive

Adapter insert - TSD-M SAC-BIT ADAPTER - 1212600



Adapter bit for TSD-M...torque tools, E6.3-1/4" drive with 4 mm hexagon to accommodate SAC bits

Stripping tool

Stripping tool - WIREFOX-D 13 - 1212162



Stripping tool, for stripping installation lines of \varnothing 8 - 13 mm , e.g. NYM 3 x 1.5 mm² to 5 x 2.5 mm², single line stripping 0.2 mm² - 4 mm² , with longitudinal cut blade and sliding knife

Data connector - SACC-M12MSX-8CT-CL SH - 1422844

Accessories

Stripping tool - WIREFOX SAC - 1212623



Stripping pliers, for halogen-free sensor/actuator cables (SAC cables), with PUR and PVC insulation, from \varnothing of 4.4 to 7 mm, any stripping length

Torque tool

Torque screwdriver - TSD 04 SAC - 1208429



Torque screwdriver, with preset torque of 0.4 Nm and 4 mm hexagonal drive for M12 connectors

Torque screwdriver - TSD-M 1,2NM - 1212224



Torque screw driver, accuracy as per EN ISO 6789 standard, adjustable from 0.3 - 1.2 Nm

Necessary add-on products

Crimp contact - CC0,6-TS-0,34M AU - 1423643



Crimp contact, contact diameter: 0.6 mm, turned, Pin, contact material: CuZn, contact surface: Ni/Au, connection cross section: 0.14 mm² ... 0.34 mm² AWG 26 ... 22

X-ON Electronics

Largest Supplier of Electrical and Electronic Components

Click to view similar products for [Standard Circular Connector](#) category:

Click to view products by [Phoenix Contact](#) manufacturer:

Other Similar products are found below :

[5M2530B10P](#) [600259N006](#) [600273N007](#) [6134-336-13149](#) [6134-337-11149](#) [6134-337-2390](#) [6134-341-17149](#) [6280-4SG-516](#) [6280-7SG-3DC](#)
[6290](#) [6291A](#) [66200A-10](#) [680-SMG](#) [681-PMG](#) [CXS3102A14S2P](#) [CXS3102A181S](#) [7271-6SG-300](#) [7282-3PG-300-CH3](#) [75-474014-05S](#) [75-](#)
[474618-01S](#) [75-474618-04P](#) [75-474618-04S](#) [799539-000](#) [MI8-SE](#) [805-005-07NF11-19PC](#) [805-005-07NF15-7PA](#) [8280-4PG-516](#) [8280-7PG-](#)
[519](#) [8282-5PG-519](#) [836783-1](#) [MP-4102-25P-C](#) [862256-1](#) [864019-2](#) [866857-1](#) [867865-1](#) [PT01SP-14-18P](#) [PT08P-14-5S](#) [120-1833-000](#)
[QCM019PC2DC012B](#) [1-2069279-1](#) [121583-0217](#) [121667-0020](#) [129591AU](#) [1000B BULK](#) [RD10A16-19-P6CS051/1](#) [RD10A20-31-](#)
[P8CS051/1](#) [RD16A14-12-S6CS051/2](#) [1301240290](#) [1301240347](#) [1301860202](#) [1301240268](#)