

Connector - SACC-M12FS-5CT-CM SH - 1422852

Please be informed that the data shown in this PDF Document is generated from our Online Catalog. Please find the complete data in the user's documentation. Our General Terms of Use for Downloads are valid (<http://phoenixcontact.com/download>)




Connector, Universal, 5-position, shielded, Socket straight M12, Coding: A, Crimp connection, knurl material: Zinc die-cast, nickel-plated, external cable diameter 4.5 mm ... 7.5 mm, without crimp contacts

Your advantages

- ✓ Extremely compact, thanks to the small wiring space and high contact density
- ✓ Safe use in the field, thanks to a high degree of protection
- ✓ Safely shielded: reliable shield connection even under extreme mechanical strain
- ✓ Robust connection: suitable for railway applications with high shock and vibration loads
- ✓ Automated processing possible
- ✓ Protected seal in the M12 socket

Key Commercial Data

Packing unit	1 pc
GTIN	 4 055626 357799
GTIN	4055626357799

Technical data

Dimensions

Wrench size, union nut	15 mm
Diameter housing	16 mm
Length	42 mm
External cable diameter	4.5 mm ... 7.5 mm
Stripping length of the sheath	18 mm
Stripping length of the individual wire	4 mm +0,5 mm

Ambient conditions

Ambient temperature (operation)	-40 °C ... 85 °C (Plug / socket)
Degree of protection	IP65
	IP67

Connector - SACC-M12FS-5CT-CM SH - 1422852

Technical data

General

Note	NOTE: Observe the permissible bending radii when laying conductors, since the degree of protection may be put in jeopardy if the bending forces are too high. Alleviate mechanical loads upstream of the connector, e.g. by using cable ties.
Rated current at 40°C	4 A
Rated voltage	48 V AC 60 V DC
Number of positions	5
Insulation resistance	≥ 100 MΩ
Coding	A - standard
Standards/regulations	M12 connector IEC 61076-2-101 Shock, vibration EN 50155:2001
Signal type/category	Universal
Status display	No
Overvoltage category	III
Degree of pollution	3
Connection method	Crimp connection
Conductor cross section	0.14 mm ² ... 1 mm ² (flexible)
Conductor cross section AWG	26 ... 18 (flexible)
Wire diameter incl. insulation	≤ 2.55 mm (Contact 5 up to max. 2.0 mm)
Insertion/withdrawal cycles	≥ 100
Torque	0.4 Nm (M12 knurl) 4 Nm (Pressure nut with coupling sleeve)

Material

Flammability rating according to UL 94	V0
Contact carrier material	PA 6.6
Material of grip body	Zinc die-cast, nickel-plated
Material, knurls	Zinc die-cast, nickel-plated
Sealing material	FKM
Standards/regulations	PA 6.6: Fire protection in rail vehicles - requirement sets R22, R23, R24, and R26 acc. to DIN EN 45545-2 (Risk level HL1 - HL3)

Standards and Regulations

Standards/specifications	M12 connector IEC 61076-2-101 Shock, vibration EN 50155:2001
Flammability rating according to UL 94	V0
Standards/regulations	acc. to DIN EN 45545-2

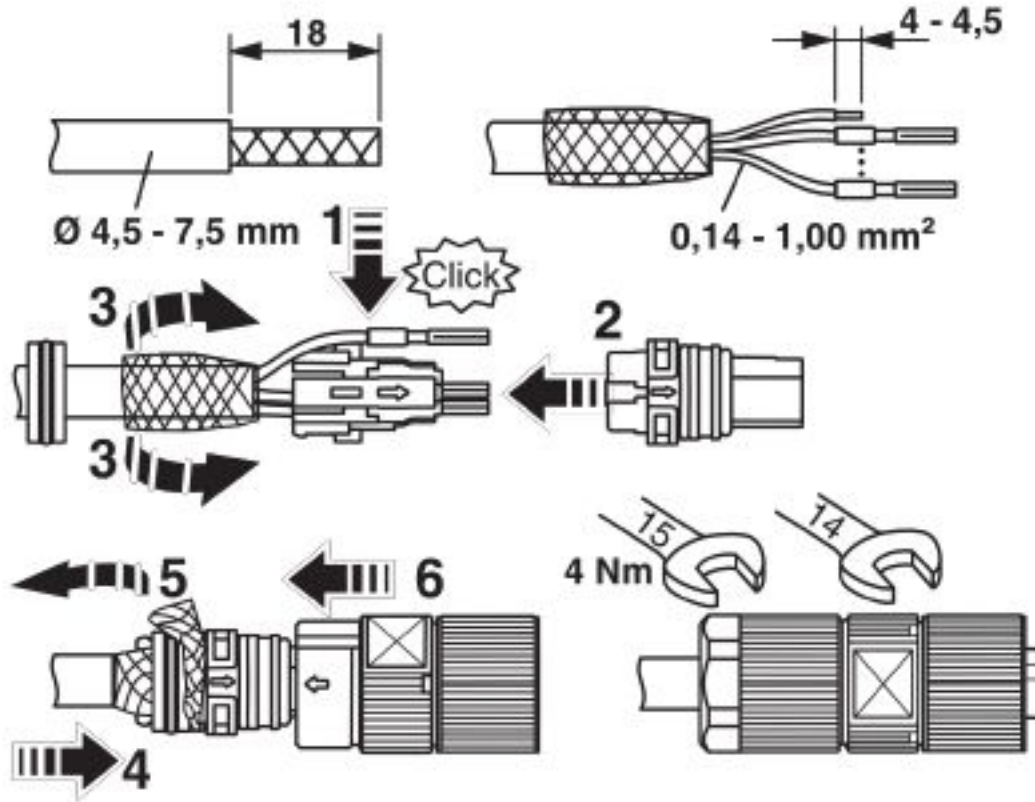
Environmental Product Compliance

China RoHS	Environmentally friendly use period: unlimited = EFUP-e
	No hazardous substances above threshold values

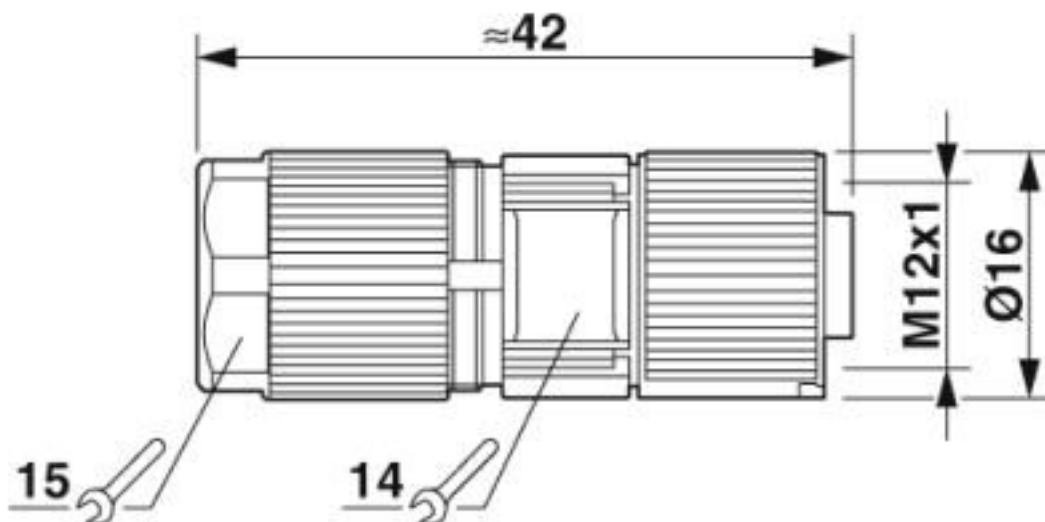
Drawings

Connector - SACC-M12FS-5CT-CM SH - 1422852

Functional drawing



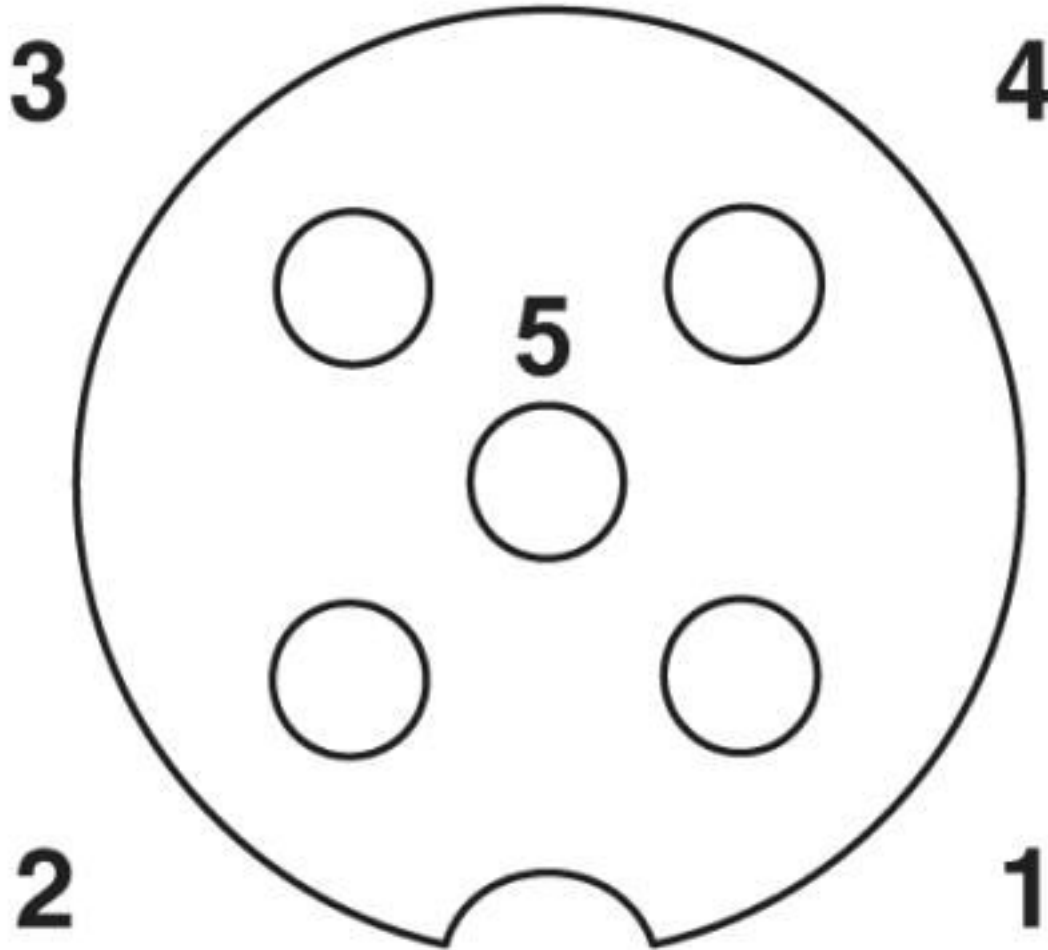
Dimensional drawing



M12 x 1 socket, straight, shielded

Connector - SACC-M12FS-5CT-CM SH - 1422852

Schematic diagram



Pin assignment M12 socket, 5-pos., A-coded, socket side view

Classifications

eCl@ss

eCl@ss 10.0.1	27440102
eCl@ss 5.1	27260701
eCl@ss 6.0	27279200
eCl@ss 7.0	27440104
eCl@ss 8.0	27440104
eCl@ss 9.0	27440102

ETIM

ETIM 5.0	EC002635
ETIM 6.0	EC002635
ETIM 7.0	EC002635

Connector - SACC-M12FS-5CT-CM SH - 1422852

Approvals

Approvals

Approvals

EAC

Ex Approvals

Approval details

EAC		RU C- DE.BL08.B.00511
-----	--	--------------------------

Accessories

Accessories

Crimp contact

Crimp contact - CC1,0-TS-0,34F AU - 1064041



Crimp contact, contact diameter: 1 mm, turned, Socket, contact material: CuZn, contact surface: Ni/Au, connection cross section: 0.14 mm² ... 0.34 mm² AWG 26 ... 22

Crimp contact - CC1,0-TS-1,00F AU - 1423646



Crimp contact, contact diameter: 1 mm, turned, Socket, contact material: CuZn, contact surface: Ni/Au, connection cross section: 0.34 mm² ... 1 mm² AWG 22 ... 18

Crimping tool

Crimping pliers - CRIMPFOX-TC MP - 1212510



Crimping pliers, for turned contacts, universal cross section setting, up to a maximum of 2.5 mm², digital display with 0.01 mm increments, pressure lock can be unlocked, including positioning tool

Connector - SACC-M12FS-5CT-CM SH - 1422852

Accessories

Electronics pliers

Diagonal cutter - MICROFOX-SB - 1212489



Electronic diagonal cutter, round head, without chamfer, with opening spring, mirror-polished and oiled, 2-component grip, cutting capacity: soft 0.2 - 2.0 mm; medium hard 1.2 mm; hard 0.5 mm diameter

Screwdriver tools

Tool - SAC BIT M12-D16 - 1200305



Nut for assembling sensor/actuator cables with M12 connector and M12 connectors for assembly, knurl diameter: 16 mm, for 4 mm hexagonal drive

Adapter insert - TSD-M SAC-BIT ADAPTER - 1212600



Adapter bit for TSD-M...torque tools, E6.3-1/4" drive with 4 mm hexagon to accommodate SAC bits

Stripping tool

Stripping tool - WIREFOX-D 13 - 1212162



Stripping tool, for stripping installation lines of \varnothing 8 - 13 mm , e.g. NYM 3 x 1.5 mm² to 5 x 2.5 mm², single line stripping 0.2 mm² - 4 mm² , with longitudinal cut blade and sliding knife

Stripping tool - WIREFOX SAC - 1212623



Stripping pliers, for halogen-free sensor/actuator cables (SAC cables), with PUR and PVC insulation, from \varnothing of 4.4 to 7 mm, any stripping length

Torque tool

Connector - SACC-M12FS-5CT-CM SH - 1422852

Accessories

Torque screwdriver - TSD 04 SAC - 1208429



Torque screwdriver, with preset torque of 0.4 Nm and 4 mm hexagonal drive for M12 connectors

Torque screwdriver - TSD-M 1,2NM - 1212224



Torque screw driver, accuracy as per EN ISO 6789 standard, adjustable from 0.3 - 1.2 Nm

Necessary add-on products

Crimp contact - CC1,0-TS-0,34F AU - 1064041



Crimp contact, contact diameter: 1 mm, turned, Socket, contact material: CuZn, contact surface: Ni/Au, connection cross section: 0.14 mm² ... 0.34 mm² AWG 26 ... 22

Crimp contact - CC1,0-TS-1,00F AU - 1423646



Crimp contact, contact diameter: 1 mm, turned, Socket, contact material: CuZn, contact surface: Ni/Au, connection cross section: 0.34 mm² ... 1 mm² AWG 22 ... 18

Phoenix Contact 2020 © - all rights reserved
<http://www.phoenixcontact.com>

PHOENIX CONTACT GmbH & Co. KG

Flachsmarktstr. 8

32825 Blomberg

Germany

Tel. +49 5235 300

Fax +49 5235 3 41200

<http://www.phoenixcontact.com>

X-ON Electronics

Largest Supplier of Electrical and Electronic Components

Click to view similar products for [Circular Metric Connectors](#) category:

Click to view products by [Phoenix Contact](#) manufacturer:

Other Similar products are found below :

[600X518037X](#) [6STD15PCR99B70A](#) [8R4000A16M020](#) [8R5000A16M005](#) [1200910002](#) [1203580030](#) [1200910008](#) [1200910011](#) [1300140094](#)
[130203-0054](#) [1300140026](#) [1300150099](#) [RF-12S1N8A90DU](#) [1-3637-600-5205](#) [1612618](#) [21036836414](#) [8R4006A16M010](#) [1604232](#)
[1R3006A20M005](#) [RF-12P1N8A90DU](#) [41-40011](#) [42-00006](#) [42-01015](#) [4-22279-4](#) [4-22281-1](#) [4-22284-9](#) [43-00113](#) [43-01088](#) [43-01203](#) [41-](#)
[40013](#) [42-00008](#) [43-00343](#) [43-01026](#) [43-01162](#) [43-01173](#) [43-10000](#) [XS3P-M421-2](#) [600X518050X](#) [SACC-DSI-FS-5P-PG9-L180 SC](#)
[8R5006A16M020](#) [8R5006A16M005](#) [8R4000A16M010](#) [6-22279-3](#) [1605332](#) [N03FA03144](#) [1300140077](#) [43-16213](#) [43-01338](#) [XS2RD4265](#)
[XS2R-D426-1](#)