

Panel feed-through - QPD W3PE2,5 6-10 M25 0,5 BK - 1423975

Please be informed that the data shown in this PDF Document is generated from our Online Catalog. Please find the complete data in the user's documentation. Our General Terms of Use for Downloads are valid (<http://phoenixcontact.com/download>)




Panel feed-through, QUICKON connection, number of positions: 3+PE, 1 mm² ... 2.5 mm², 690 V, 20 A, black, with QUICKON nut, cable diameter range: 6 mm ... 10 mm, assembly thread: M25, IDC connection (welded-on), 2.5 mm², wires cut flat at the end, cable length: 0.5 m

Your advantages

- ✓ Innovative and time saving - QUICKON fast connection for time saving of up to 80 % for on-site connection
- ✓ Convenient: quick and easy assembly without special tools
- ✓ Robust throughout: housing with IP68/IP69K and IK07 protection for a wide range of applications
- ✓ Safer connection thanks to polarization against mismatching and touch-proof protection according to DIN EN 0105
- ✓ Efficient - by using panel feed-throughs, devices no longer need to be opened in order to connect cables

Key Commercial Data

| | |
|--------------|---|
| Packing unit | 1 pc |
| GTIN |  4 055626 365930 |
| GTIN | 4055626365930 |

Technical data

General

| | |
|--------------------------------|--------------------------------------|
| Type | QPD 4x2,5 |
| Length of cable | 0.5 m |
| Color | black |
| Locking type | Screw locking |
| Connection method | QUICKON connection IDC connection |
| Number of positions | 4 |
| Note number of positions | 3+PE |
| Tightening torque, union nut | 7 Nm |
| Tightening torque, counter nut | 5 Nm |
| Number of connections | 10 |

Panel feed-through - QPD W3PE2,5 6-10 M25 0,5 BK - 1423975

Technical data

General

| | |
|---------------------------------------|---------------------|
| Conductor cross section flexible min. | 1 mm ² |
| Conductor cross section flexible max. | 2.5 mm ² |
| Conductor cross section solid min. | 1 mm ² |
| Conductor cross section solid max. | 2.5 mm ² |
| Conductor cross section AWG min. | 16 |
| Conductor cross section AWG max. | 14 |

Cabel

| | |
|---|------------------------------------|
| Structure of individual litz in acc. with VDE 0295 / smallest wire diameter | VDE 0295 class 1 to 6/min. 0.15 mm |
| Wire insulation material | PVC/PE/TPE/rubber |
| Wire diameter including insulation | 2 mm ... 3.6 mm |
| External cable diameter | 6 mm ... 10 mm |
| Conductor cross section | 2.5 mm ² |
| Position marking | 1, 2, 3, PE |

Ambient conditions

| | |
|---|-------------------|
| Degree of protection | IP66 |
| | IP68 (2 m / 24 h) |
| | IP69K |
| Ambient temperature (operation) | -40 °C ... 100 °C |
| Ambient temperature (storage/transport) | -40 °C ... 100 °C |
| Temperature when conductor connected | -5 °C ... 50 °C |

Electrical characteristics

| | |
|--------------------------------|----------|
| Nominal current I _N | 20 A |
| Nominal voltage U _N | 690 V AC |
| | 690 V DC |
| Rated current | 20 A |
| Rated voltage (III/3) | 690 V |
| Rated voltage (III/2) | 690 V |
| Rated voltage (II/2) | 1000 V |
| Rated surge voltage (III/3) | 6 kV |
| Rated surge voltage (III/2) | 6 kV |
| Rated surge voltage (II/2) | 6 kV |

Mechanical characteristics

| | |
|--------------------------|---------|
| QUICKON connectability | max. 10 |
| Category of shock impact | IK07 |

Material data

| | |
|--------------------------|---------------|
| Contact material | Cu |
| Contact surface material | silver-plated |
| Contact carrier material | PA |

Panel feed-through - QPD W3PE2,5 6-10 M25 0,5 BK - 1423975

Technical data

Material data

| | |
|--|-----|
| Insulating material | PA |
| Flammability rating according to UL 94 | V0 |
| Overvoltage category | III |
| Degree of pollution | 3 |

Standards and Regulations

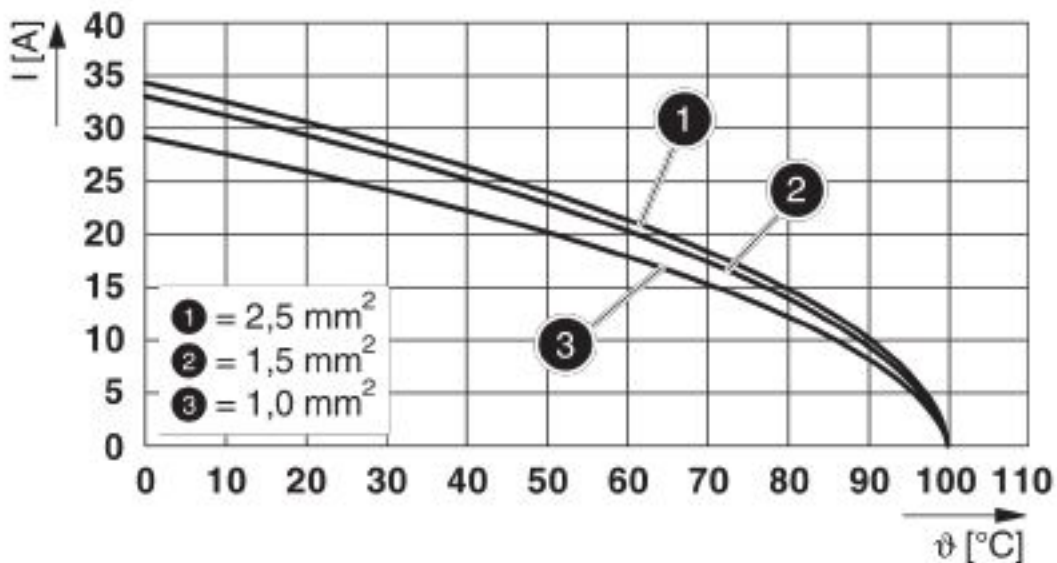
| | |
|--|------|
| Category of shock impact | IK07 |
| Halogen-free | yes |
| Flammability rating according to UL 94 | V0 |

Environmental Product Compliance

| | |
|------------|---|
| China RoHS | Environmentally Friendly Use Period = 50 years |
| | For details about hazardous substances go to tab "Downloads", Category "Manufacturer's declaration" |

Drawings

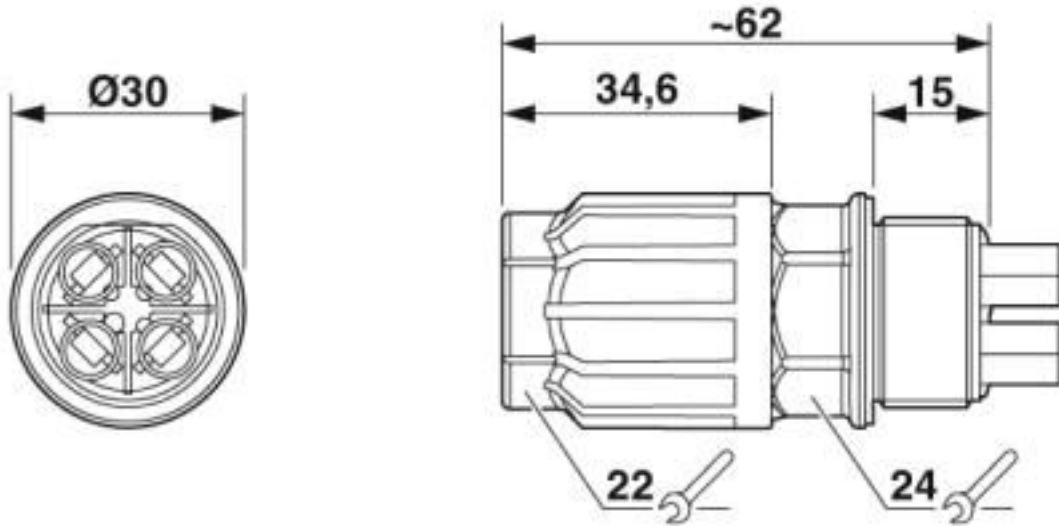
Diagram



Derating diagram

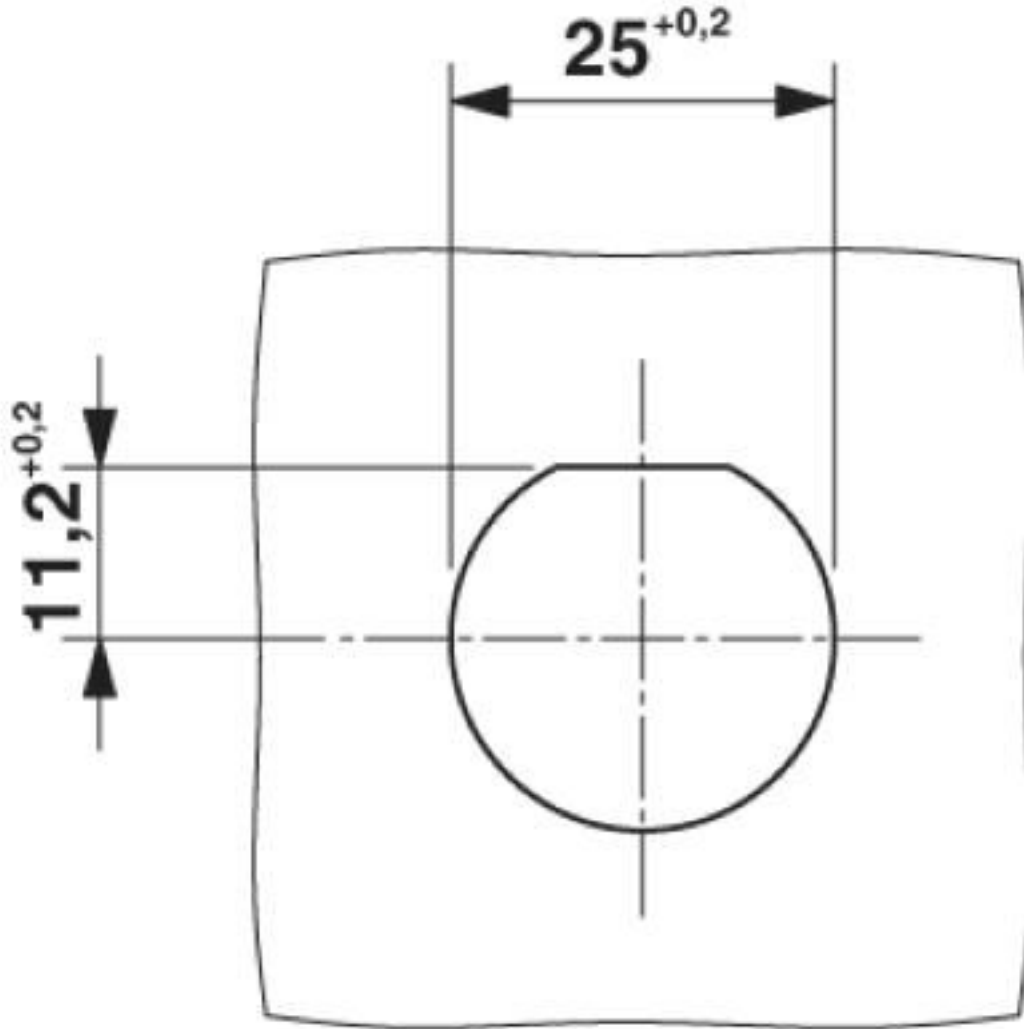
Panel feed-through - QPD W3PE2,5 6-10 M25 0,5 BK - 1423975

Dimensional drawing



Panel feed-through - QPD W3PE2,5 6-10 M25 0,5 BK - 1423975

Dimensional drawing



Panel cutout

Classifications

eCl@ss

| | |
|---------------|----------|
| eCl@ss 10.0.1 | 27440602 |
| eCl@ss 7.0 | 27440602 |
| eCl@ss 9.0 | 27440602 |

ETIM

| | |
|----------|----------|
| ETIM 6.0 | EC002566 |
| ETIM 7.0 | EC002566 |

Panel feed-through - QPD W3PE2,5 6-10 M25 0,5 BK - 1423975

Approvals

Approvals

Approvals

EAC / IECEE CB Scheme / UL Listed / cUL Listed / VDE Zeichengenehmigung / cULus Listed

Ex Approvals

Approval details

| | | | |
|-----|--|--|--------------------------|
| EAC | | | RU C- DE.BL08.B.00511 |
|-----|--|--|--------------------------|

| | | | |
|-----------------|--|---|-----------|
| IECEE CB Scheme | | http://www.iecee.org/ | DE1-61559 |
|-----------------|--|---|-----------|

| | | | |
|-----------|--|---|---------|
| UL Listed | | http://database.ul.com/cgi-bin/XYV/template/LISEXT/1FRAME/index.htm | E468743 |
|-----------|--|---|---------|

| | | | |
|------------|--|---|---------|
| cUL Listed | | http://database.ul.com/cgi-bin/XYV/template/LISEXT/1FRAME/index.htm | E468743 |
|------------|--|---|---------|

| | | | |
|------------------------|--|---|----------|
| VDE Zeichengenehmigung | | http://www2.vde.com/de/Institut/Online-Service/VDE-gepruefteProdukte/Seiten/Online-Suche.aspx | 40029149 |
|------------------------|--|---|----------|

| | |
|--------------------|---------|
| Nominal voltage UN | 690 V |
| Nominal current IN | 20 A |
| mm²/AWG/kcmil | 1.5-2.5 |

| | |
|--------------|--|
| cULus Listed | |
|--------------|--|

Accessories

Accessories

Coding element

Panel feed-through - QPD W3PE2,5 6-10 M25 0,5 BK - 1423975

Accessories

Coding profile - CP QPD 4X2,5 - 1425950



Coding profile red, for pushing into the QUICKON dome and connector, can be positioned in 90° steps.

Mounting material

Nut - Q-MU M25 - 1640715



Nut (plastic) to lock the contact carrier from the inside of the device

Protective cap

Protective cap - QPD QSK 5X1,5 - 1414758



Protective cap plastic, for QPD-QUICKON connection 5x 1.5 mm², IP50

Protective cap - QPD QSK BK 5X1,5 FS - 1414728

Protective cap, plastic, for QUICKON connection, black, with retaining cord, IP68



Socket spanner

Socket wrench - QSS 22 - 1670206



Allen wrench, for loosening and fastening the QUICKON union nut, WAF 22 mm

Phoenix Contact 2020 © - all rights reserved
<http://www.phoenixcontact.com>

PHOENIX CONTACT GmbH & Co. KG
Flachmarktstr. 8
32825 Blomberg
Germany
Tel. +49 5235 300
Fax +49 5235 3 41200
<http://www.phoenixcontact.com>

X-ON Electronics

Largest Supplier of Electrical and Electronic Components

Click to view similar products for [Sensor Cables / Actuator Cables](#) category:

Click to view products by [Phoenix Contact](#) manufacturer:

Other Similar products are found below :

[60963](#) [60964](#) [703000D02F2002](#) [703001D02F0602](#) [703001D02F300](#) [704000D02F120](#) [773032K02F030](#) [802027107404-1](#) [802027213811-1](#)
[804001A09M150](#) [805001A09M0502](#) [84914-0235](#) [84914-0237](#) [885030A09M020](#) [8R4J30E03C3003](#) [1200651332](#) [1200651713](#) [1200660844](#)
[1200660845](#) [1200661173](#) [1200680071](#) [1200720053](#) [1200720081](#) [1200720099](#) [1200720217](#) [1200800231](#) [1200860125](#) [1200870123](#)
[1200980102](#) [1200650267](#) [1200650298](#) [1200660183](#) [1200660782](#) [1200660849](#) [1200661295](#) [1200661297](#) [1200661342](#) [1200661343](#)
[1200670080](#) [1200670220](#) [1200680331](#) [1200720252](#) [1200730184](#) [1200860344](#) [1200870359](#) [1200870643](#) [1200980008](#) [1200980031](#)
[1210502211](#) [1210400542](#)