

## Connector - QPD P3PE2,5 9-14 BK BK - 1424042

Please be informed that the data shown in this PDF Document is generated from our Online Catalog. Please find the complete data in the user's documentation. Our General Terms of Use for Downloads are valid (<http://phoenixcontact.com/download>)




Connector, QUICKON connection, number of positions: 3+PE, 1 mm<sup>2</sup> ... 2.5 mm<sup>2</sup>, 690 V, 20 A, black, with QUICKON nut, cable diameter range: 9 mm ... 14 mm

### Your advantages

- ✓ Innovative and time saving - QUICKON fast connection for time saving of up to 80 % for on-site connection
- ✓ Convenient: quick and easy assembly without special tools
- ✓ Robust throughout: housing with IP68/IP69K and IK07 protection for a wide range of applications
- ✓ Safer connection thanks to polarization against mismatching and touch-proof protection according to DIN EN 0105
- ✓ Easy maintenance - the connectors enable fast device replacement and simplify startup thanks to pre-assembled cables

### Key Commercial Data

Packing unit	1 pc
GTIN	 4 055626 366449
GTIN	4055626366449

### Technical data

#### General

Type	QPD 4x2,5
Color	black
Locking type	Screw locking
Connection method	QUICKON connection IDC connection
Number of positions	4
Note number of positions	3+PE
Tightening torque, union nut	7 Nm
Number of connections	4
Conductor cross section flexible min.	1 mm <sup>2</sup>
Conductor cross section flexible max.	2.5 mm <sup>2</sup>

# Connector - QPD P3PE2,5 9-14 BK BK - 1424042

## Technical data

### General

Conductor cross section solid min.	1 mm <sup>2</sup>
Conductor cross section solid max.	2.5 mm <sup>2</sup>
Conductor cross section AWG min.	16
Conductor cross section AWG max.	14

### Cabel

Structure of individual litz in acc. with VDE 0295 / smallest wire diameter	VDE 0295 class 1 to 6/min. 0.15 mm
Wire insulation material	PVC/PE/TPE/rubber
Wire diameter including insulation	2 mm ... 3.6 mm
External cable diameter	9 mm ... 14 mm
Position marking	1, 2, 3, PE

### Ambient conditions

Degree of protection	IP66
	IP68 (2 m / 24 h)
	IP69K
Ambient temperature (operation)	-40 °C ... 100 °C
Ambient temperature (storage/transport)	-40 °C ... 100 °C
Temperature when conductor connected	-5 °C ... 50 °C

### Electrical characteristics

Nominal current I <sub>N</sub>	20 A
Nominal voltage U <sub>N</sub>	690 V AC
	690 V DC
Rated current	20 A
Rated voltage (III/3)	690 V
Rated voltage (III/2)	690 V
Rated voltage (II/2)	1000 V
Rated surge voltage (III/3)	6 kV
Rated surge voltage (III/2)	6 kV
Rated surge voltage (II/2)	6 kV

### Mechanical characteristics

QUICKON connectability	max. 10
Insertion/withdrawal cycles	> 50
Category of shock impact	IK07

### Material data

Contact material	Cu
Contact surface material	silver-plated
Contact carrier material	PA
Insulating material	PA
Flammability rating according to UL 94	V0

# Connector - QPD P3PE2,5 9-14 BK BK - 1424042

## Technical data

### Material data

Overvoltage category	III
Degree of pollution	3

### Standards and Regulations

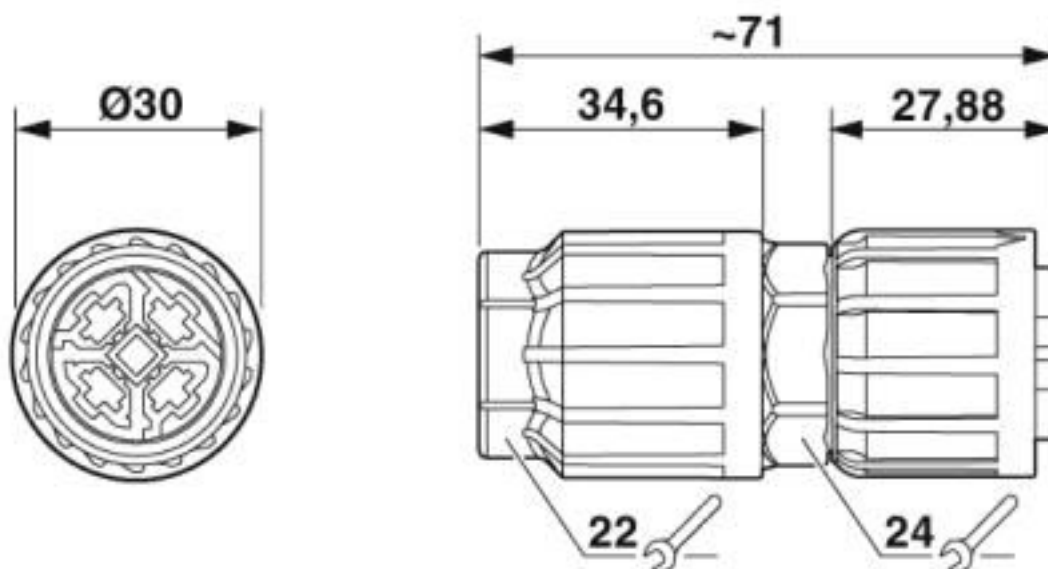
Category of shock impact	IK07
Halogen-free	yes
Flammability rating according to UL 94	V0

### Environmental Product Compliance

China RoHS	Environmentally Friendly Use Period = 50 years
	For details about hazardous substances go to tab "Downloads", Category "Manufacturer's declaration"

## Drawings

Dimensional drawing



## Classifications

### eCl@ss

eCl@ss 10.0.1	27440605
eCl@ss 7.0	27440605
eCl@ss 8.0	27440605
eCl@ss 9.0	27440605

### ETIM

ETIM 6.0	EC002560
ETIM 7.0	EC002560

# Connector - QPD P3PE2,5 9-14 BK BK - 1424042

## Approvals

### Approvals

#### Approvals

IECEE CB Scheme / UL Listed / cUL Listed / VDE Zeichengenehmigung / cULus Listed

#### Ex Approvals

### Approval details

IECEE CB Scheme		<a href="http://www.iecee.org/">http://www.iecee.org/</a>	DE1-61559
-----------------	--	---	-----------

UL Listed		<a href="http://database.ul.com/cgi-bin/XYV/template/LISEXT/1FRAME/index.htm">http://database.ul.com/cgi-bin/XYV/template/LISEXT/1FRAME/index.htm</a>	E468743
Nominal voltage UN		600 V	
Nominal current IN		15 A	
mm <sup>2</sup> /AWG/kcmil		14	

cUL Listed		<a href="http://database.ul.com/cgi-bin/XYV/template/LISEXT/1FRAME/index.htm">http://database.ul.com/cgi-bin/XYV/template/LISEXT/1FRAME/index.htm</a>	E468743
Nominal voltage UN		600 V	
Nominal current IN		15 A	
mm <sup>2</sup> /AWG/kcmil		14	

VDE Zeichengenehmigung		<a href="http://www2.vde.com/de/Institut/Online-Service/VDE-gepruefteProdukte/Seiten/Online-Suche.aspx">http://www2.vde.com/de/Institut/Online-Service/VDE-gepruefteProdukte/Seiten/Online-Suche.aspx</a>	40029149
Nominal voltage UN		690 V	
Nominal current IN		20 A	
mm <sup>2</sup> /AWG/kcmil		1.5-2.5	

cULus Listed			
--------------	--	--	--

## Connector - QPD P3PE2,5 9-14 BK BK - 1424042

### Accessories

#### Accessories

#### Coding element

Coding profile - CP QPD 4X2,5 - 1425950



Coding profile red, for pushing into the QUICKON dome and connector, can be positioned in 90° steps.

---

#### Protective cap

Protective cap - QPD PSK 5X1,5 - 1414759



Protective cap plastic, for 5x 1.5 mm<sup>2</sup> QPD connector, IP50.

---

#### Sealing plugs

Closing cap - SEALING PLUG 14X22 RD - 1400270



Closing cap, material: PA, for threads pluggable, color: red

---

#### Socket spanner

Socket wrench - QSS 22 - 1670206



Allen wrench, for loosening and fastening the QUICKON union nut, WAF 22 mm

---

---

Phoenix Contact 2020 © - all rights reserved  
<http://www.phoenixcontact.com>

PHOENIX CONTACT GmbH & Co. KG  
Flachsmarktstr. 8  
32825 Blomberg  
Germany  
Tel. +49 5235 300  
Fax +49 5235 3 41200  
<http://www.phoenixcontact.com>

## X-ON Electronics

Largest Supplier of Electrical and Electronic Components

*Click to view similar products for [Sensor Cables / Actuator Cables](#) category:*

*Click to view products by [Phoenix Contact](#) manufacturer:*

Other Similar products are found below :

[60963](#) [60964](#) [703000D02F2002](#) [703001D02F0602](#) [703001D02F300](#) [704000D02F120](#) [773032K02F030](#) [802027107404-1](#) [802027213811-1](#)  
[804001A09M150](#) [805001A09M0502](#) [84914-0235](#) [84914-0237](#) [885030A09M020](#) [8R4J30E03C3003](#) [1200651332](#) [1200651713](#) [1200660844](#)  
[1200660845](#) [1200661173](#) [1200680071](#) [1200720053](#) [1200720081](#) [1200720099](#) [1200720217](#) [1200800231](#) [1200860125](#) [1200870123](#)  
[1200980102](#) [1200650267](#) [1200650298](#) [1200660183](#) [1200660782](#) [1200660849](#) [1200661295](#) [1200661297](#) [1200661342](#) [1200661343](#)  
[1200670080](#) [1200670220](#) [1200680331](#) [1200720252](#) [1200730184](#) [1200860344](#) [1200870359](#) [1200870643](#) [1200980008](#) [1200980031](#)  
[1210502211](#) [1210400542](#)